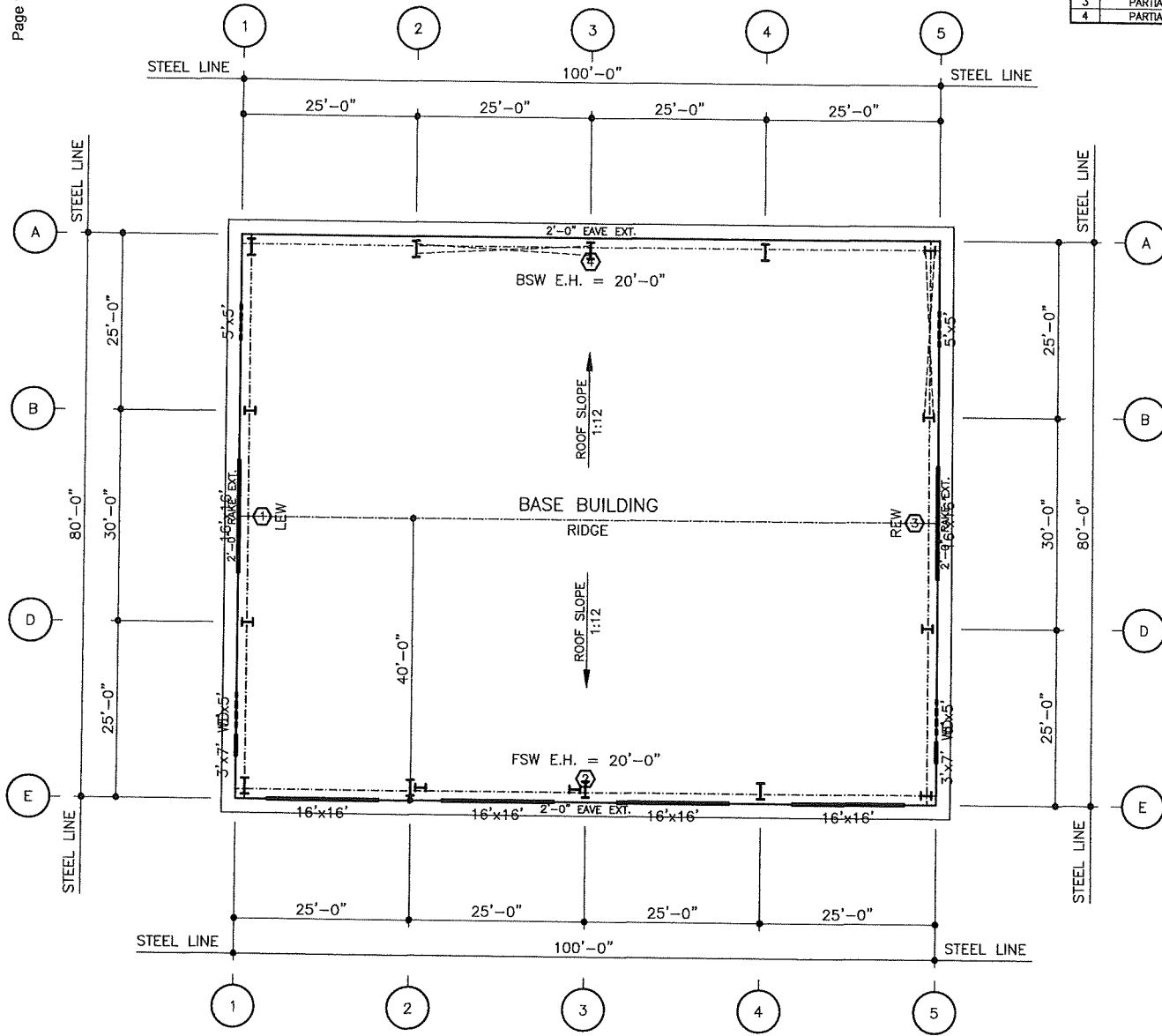


WALL LINER PANEL SCHEDULE					
ID	LINER TYPE	DIST. FROM LEFT	BOTTOM OF PANEL AFF	TOP OF PANEL AFF	LENGTH
1	PARTIAL	0'-0"	2'-0"	0'-0"	80'-0"
2	PARTIAL	0'-0"	2'-0"	0'-0"	100'-0"
3	PARTIAL	0'-0"	2'-0"	0'-0"	80'-0"
4	PARTIAL	0'-0"	2'-0"	0'-0"	100'-0"

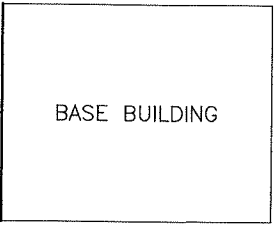


PROJECT NAME:  
**MARION COUNTY WWTP**  
 MARION, OH  
 CUSTOMER NAME:  
**STEVENS CONSTRUCTION CO INC**  
 MARION, OH

**DO NOT USE FOR FINAL CONSTRUCTION**  
 SHEET TITLE:  
**PRELIMINARY FLOOR PLAN**  
 SHEET NUMBER:  
**FP1**

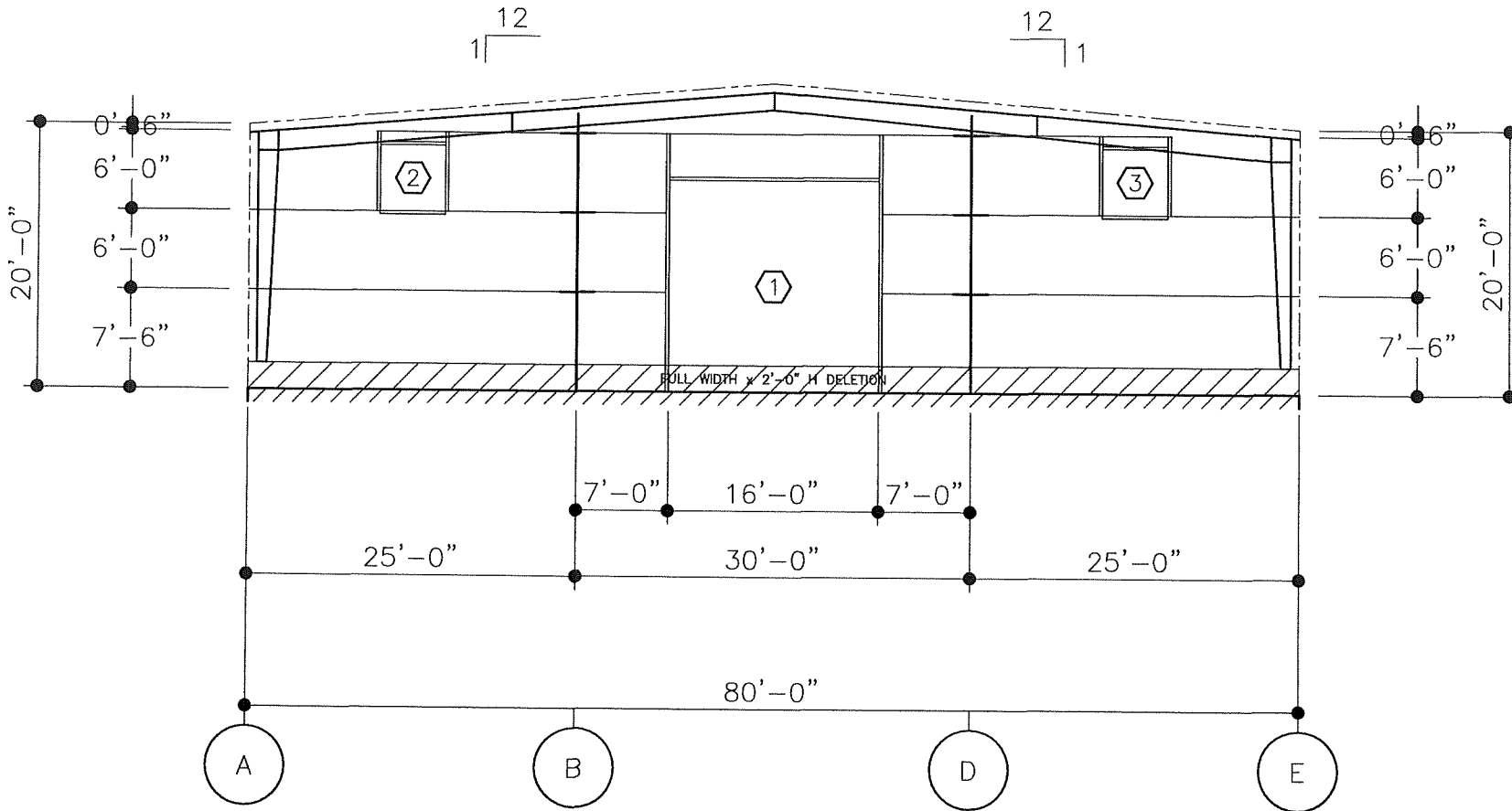
DATE:  
 12/14/2023 1:31 PM  
 QUOTE NUMBER:  
**KOG-23160**

KEY PLAN

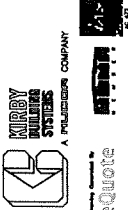


FRAMED OPENING SCHEDULE

(D)	QTY	WIDTH	HEIGHT	SILL HEIGHT	LOCATED
1	1	16'-0"	16'-0"	0'-0"	FACTORY
2	1	5'-0"	5'-0"	13'-6"	FIELD
3	1	5'-0"	5'-0"	13'-6"	FIELD



ELEVATION AT LINE 1



PROJECT NAME:  
MARION COUNTY WWTP

MARION, OH

CUSTOMER NAME:  
STEVENS CONSTRUCTION CO INC

MARION, OH

DO NOT USE FOR FINAL CONSTRUCTION

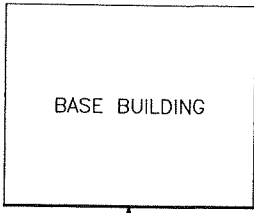
SHEET TITLE:  
PRELIMINARY STRUCTURAL ELEVATIONS

SHEET NUMBER:  
ST5

DATE:  
12/14/2023 1:31 PM

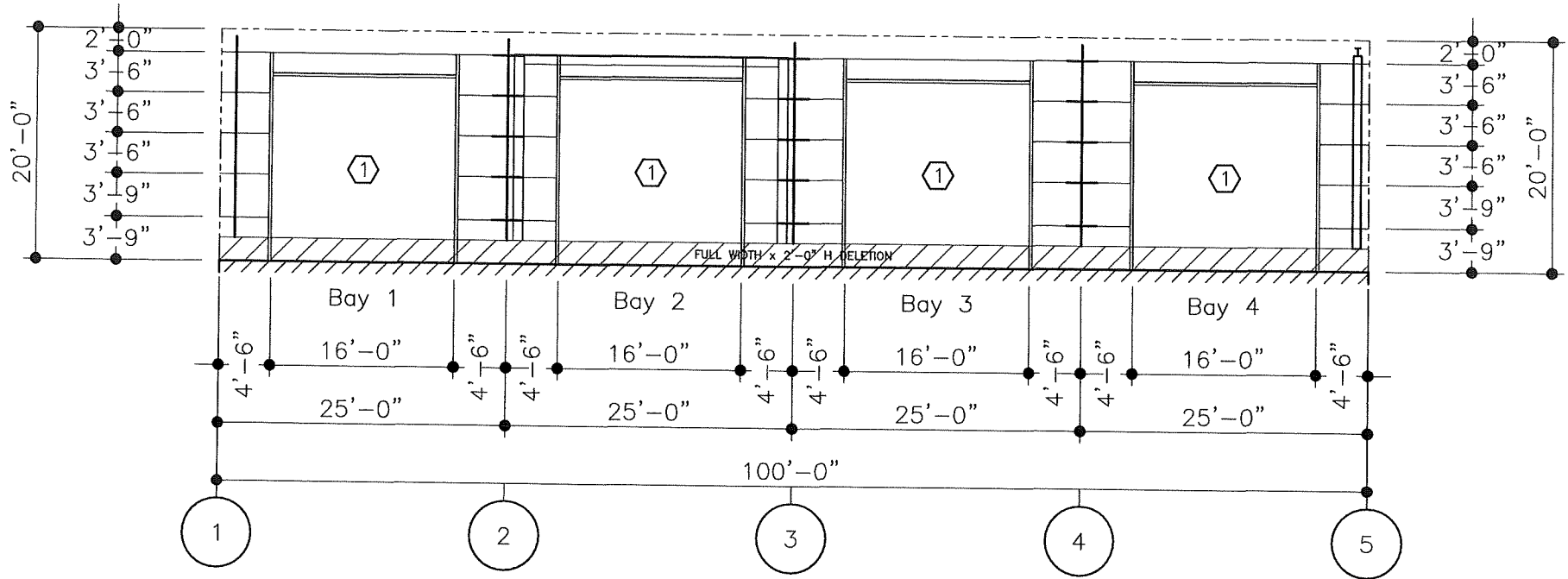
QUOTE NUMBER:  
KOG-23160

KEY PLAN



FRAMED OPENING SCHEDULE

ID	QTY	WIDTH	HEIGHT	SILL HEIGHT	LOCATED
1	4	16'-0"	16'-0"	0'-0"	FACTORY

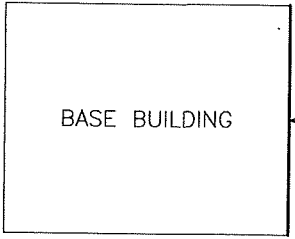


ELEVATION AT LINE E



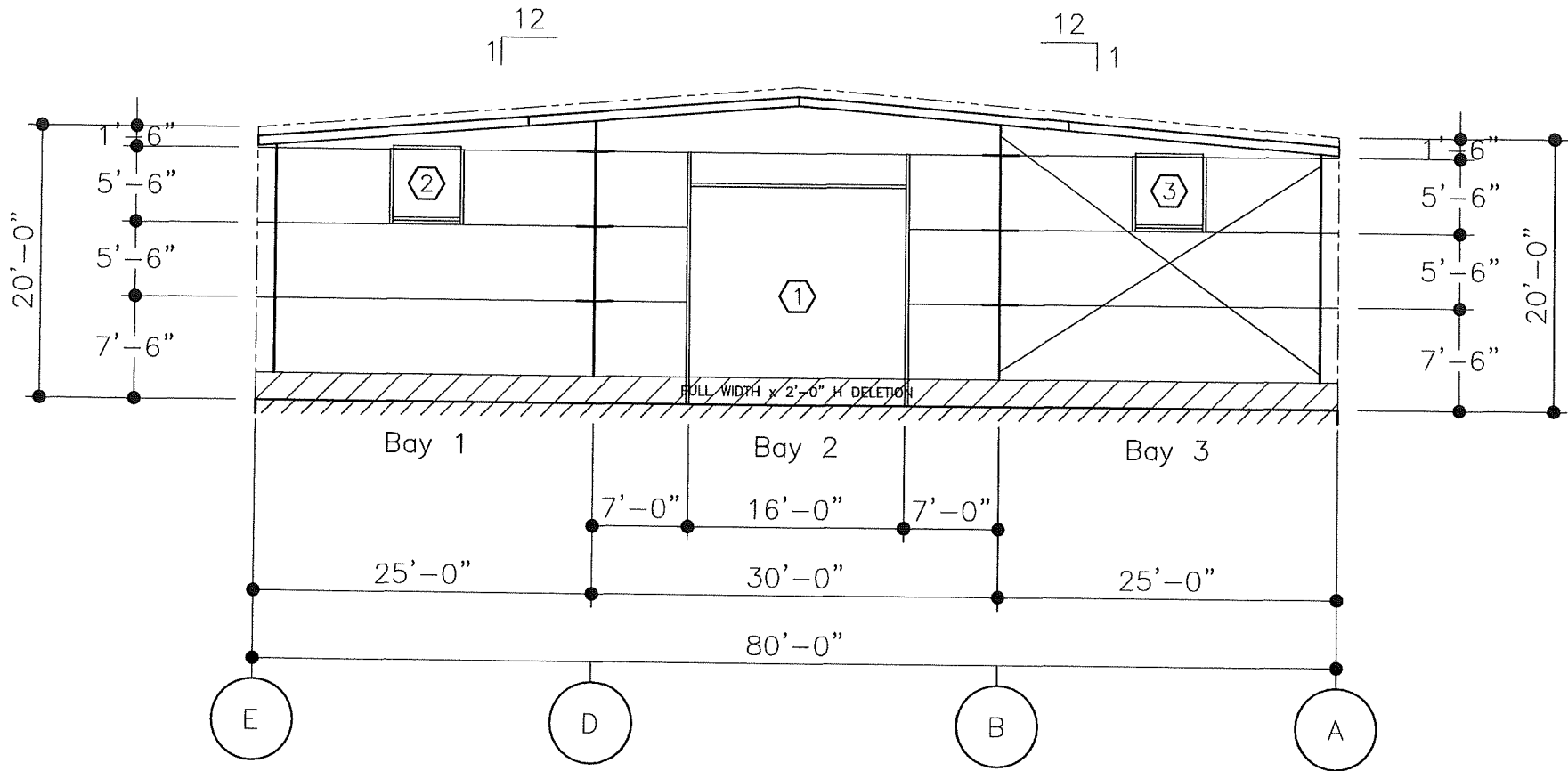
**DO NOT USE FOR FINAL CONSTRUCTION**  
 SHEET TITLE: PRELIMINARY STRUCTURAL ELEVATIONS  
 SHEET NUMBER: ST6  
 PROJECT NAME: MARION COUNTY WWTP  
 MARION, OH  
 CUSTOMER NAME: STEVENS CONSTRUCTION CO INC  
 MARION, OH  
 QUOTE NUMBER: KOG-23160  
 DATE: 12/14/2023 1:31 PM

KEY PLAN

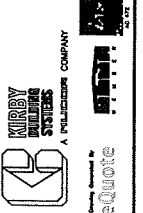


FRAMED OPENING SCHEDULE

(D)	QTY	WIDTH	HEIGHT	SILL HEIGHT	LOCATED
1	1	16'-0"	16'-0"	0'-0"	FACTORY
2	1	5'-0"	5'-0"	13'-6"	FIELD
3	1	5'-0"	5'-0"	13'-6"	FIELD



ELEVATION AT LINE 5

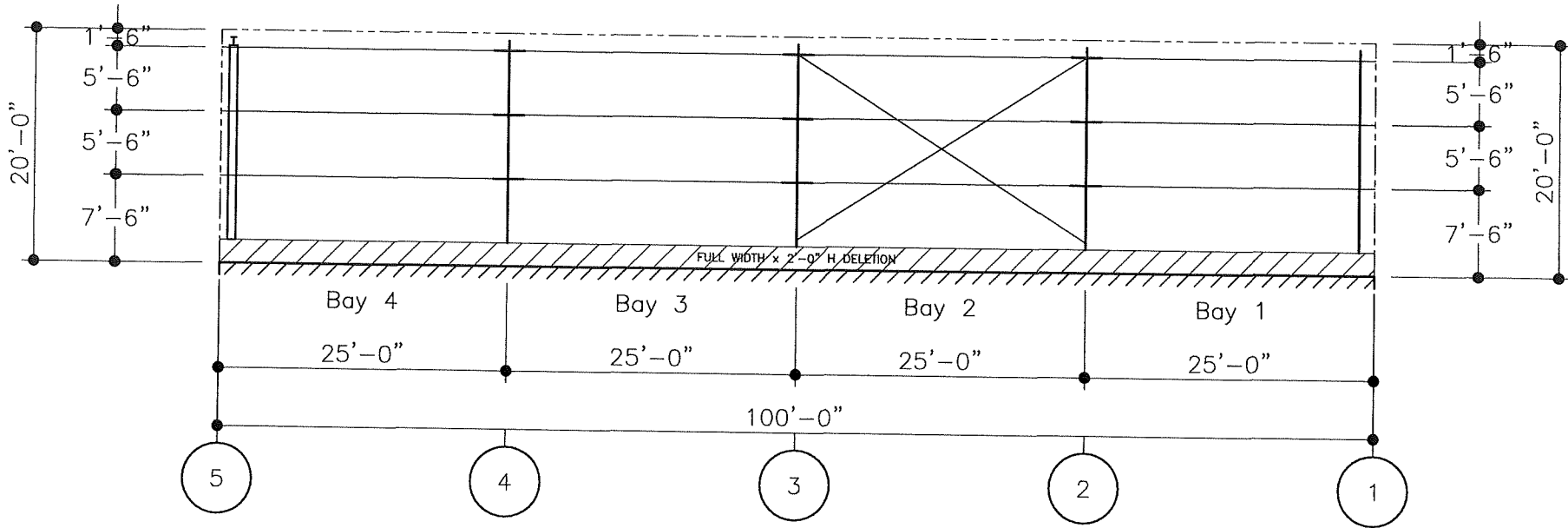
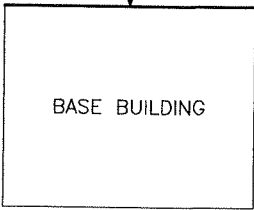


PROJECT NAME:  
MARION COUNTY WWTP  
MARION, OH  
CUSTOMER NAME:  
STEVENS CONSTRUCTION CO INC  
MARION, OH

DO NOT USE FOR FINAL CONSTRUCTION  
SHEET TITLE:  
PRELIMINARY STRUCTURAL ELEVATIONS  
SHEET NUMBER:  
ST7

12/14/2023 1:31 PM  
QUOTE NUMBER:  
KOG-23160

KEY PLAN



ELEVATION AT LINE A



PROJECT NAME:  
MARION COUNTY WWTP  
MARION, OH  
CUSTOMER NAME:  
STEVENS CONSTRUCTION CO INC  
MARION, OH

DO NOT USE FOR FINAL CONSTRUCTION  
SHEET TITLE:  
PRELIMINARY STRUCTURAL ELEVATIONS  
SHEET NUMBER:  
STB

DATE:  
12/14/2023 1:31 PM  
QUOTE NUMBER:  
KOG-23160