

# SCHULTE BUILDING SYSTEMS

17600 BADTKE ROAD  
 HOCKLEY, TEXAS 77447  
 281-304-6111 office  
 281-304-6113 fax

DRAWING INDEX		
ISSUE	PAGE	DESCRIPTION
A	C1 OF 3	COVER PAGE
A	C2 OF 3	NOTES PAGE
A	C3 OF 3	NOTES PAGE
0	F1 OF 4	ANCHOR ROD PLAN
0	F2 OF 4	ANCHOR ROD PLAN
0	F3 OF 4	REACTIONS
0	F4 OF 4	REACTIONS
A	E1 OF 22	ROOF FRAMING PLAN
A	E2 OF 22	ROOF FRAMING PLAN
A	E3 OF 22	ROOF SHEETING PLAN
A	E4 OF 22	ROOF SHEETING PLAN
A	E5 OF 22	CROSS SECTION
A	E6 OF 22	CROSS SECTION
A	E7 OF 22	CROSS SECTION
A	E8 OF 22	CROSS SECTION
A	E9 OF 22	CROSS SECTION
A	E10 OF 22	SIDEWALL ELEVATION
A	E11 OF 22	SIDEWALL ELEVATION
A	E12 OF 22	SIDEWALL ELEVATION
A	E13 OF 22	SIDEWALL ELEVATION
A	E14 OF 22	SIDEWALL ELEVATIONS
A	E15 OF 22	SIDEWALL ELEVATIONS
A	E16 OF 22	ENDWALL ELEVATION
A	E17 OF 22	ENDWALL ELEVATION
A	E18 OF 22	ENDWALL ELEVATION
A	E19 OF 22	ENDWALL ELEVATION
A	E20 OF 22	ENDWALL ELEVATION
A	E21 OF 22	ENDWALL ELEVATIONS
A	E22 OF 22	WALL LINER
A	D1 OF 6	DETAIL PAGES
A	D2 OF 6	DETAIL PAGES
A	D3 OF 6	DETAIL PAGES
A	D4 OF 6	DETAIL PAGES
A	D5 OF 6	DETAIL PAGES
A	D6 OF 6	DETAIL PAGES

## BUILDING DESCRIPTION

**BUILDING "A" SIZE:** 130.00' x 75.00' x 24.00' **SLOPE:** 1.0:12  
**BUILDING "B" SIZE:** 22.67' x 40.00' x 12.00' **SLOPE:** 1.0:12  
**BUILDING SIZE:** \_\_\_\_\_ **SLOPE:** \_\_\_\_\_  
**BUILDING SIZE:** \_\_\_\_\_ **SLOPE:** \_\_\_\_\_  
 (BUILDING DIMENSIONS ARE NOMINAL, REFER TO PLANS)

## PANEL, TRIM AND FRAMING INFORMATION

**ROOF PANELS**  
 TYPE: TS-324 GAUGE: 24 COLOR: Galvalume  
 UL90 CERTIFICATION: No  
 INSULATION: 8" / 4" Energy Saver FP (By Others)  
 MASTIC: Wide  
 IF STANDING SEAM: CLIP TYPE: High Float  
 THERMAL BLOCKS: 3/4" (SBS)  
 SEAM TYPE: Quad-Lok

## TRIM

RAKE: \_\_\_\_\_ COLOR: Almond (Kynar)  
 EAVE: \_\_\_\_\_ COLOR: Almond (Kynar)  
 GUTTER: \_\_\_\_\_ COLOR: Almond (Kynar)  
 DOWNSPOUT: \_\_\_\_\_ COLOR: Almond (Kynar)  
 VALLEY GUTTER: \_\_\_\_\_ COLOR: N/A  
 HEADER: \_\_\_\_\_ COLOR: Almond (Kynar)  
 SILL: \_\_\_\_\_ COLOR: Almond (Kynar)  
 JAMB: \_\_\_\_\_ COLOR: Almond (Kynar)  
 BASE TRIM: \_\_\_\_\_ COLOR: Almond (Kynar)  
 CORNER: \_\_\_\_\_ COLOR: Almond (Kynar)  
 LINER: \_\_\_\_\_ COLOR: Polar White  
 SOFFIT: \_\_\_\_\_ COLOR: N/A  
 FASCIA SILL: \_\_\_\_\_ COLOR: N/A  
 CAP TRIM: \_\_\_\_\_ COLOR: N/A

## WALL PANELS

TYPE: PBR GAUGE: 26 COLOR: Almond (Kynar)  
 INSULATION: 8" Energy Saver FP (By Others)

## LINER PANELS

TYPE: PBR GAUGE: 26 COLOR: Polar White  
 HEIGHT: FULL

## PRIMARY FRAMING

(MAIN FRAMES & ENDWALL FRAMES) Gray  
 (WIND COLUMNS & BENTS)

## SECONDARY FRAMING

(GIRTS, EAVE STRUTS, PURLINS Pre-Galv.  
 DOOR/FRAMED OPNG. & CLIPS ETC.)

This is to certify that this structure is designed utilizing the loads indicated and applied as required by the building code shown below. The certification is limited to the structural design of the framing and covering parts manufactured by the building manufacturer and is specified in the contract. Accessory items such as doors, window, louvers, translucent panels, and ventilators are not included. Also excluded are other parts of the project not provided by the building manufacturer such as foundations, masonry walls, mechanical equipment and erection of the building. The building should be erected on a properly designed foundation in accordance with the building manufacturer's design manual, the attached drawings and good erection practices.

Design Code OBC 24 (IBC 21)

General Loads	BLDG. "A"	BLDG. "B"
Roof Dead Load (D)	<u>2.50</u> psf	<u>2.50</u> psf
Roof Collateral Load (C)	<u>5.00</u> psf	<u>5.00</u> psf
Roof Live Load (Lr)	<u>20.00</u> psf	<u>20.00</u> psf
Tributary Live Load Reduction	<u>No</u>	<u>No</u>
Snow Load		
Flat-Roof Snow Load (Pf)	<u>14.0000</u> psf	<u>14.0000</u> psf
Ground Snow Load (Pg)	<u>20.0000</u> psf	<u>20.0000</u> psf
Min. Snow (Low Slope) (Pmin)	<u>20.0000</u> psf	<u>20.0000</u> psf
Snow Exposure Factor (Ce)	<u>1.0000</u>	<u>1.0000</u>
Snow Load Importance Factor (Is)	<u>1.0000</u>	<u>1.0000</u>
Thermal Factor (Ct)	<u>1.00</u>	<u>1.00</u>
Wind Load		
Wind Speed (V 3S)	<u>N/A</u>	<u>N/A</u>
Wind Speed (Vult & Vasd)	<u>115.0000</u> mph <u>89.0785</u> mph	<u>115.0000</u> mph <u>89.0785</u> mph
Occupancy / Risk Category	<u>II - Normal</u>	<u>II - Normal</u>
Wind Exposure Category	<u>C</u>	<u>C</u>
Internal Pressure Coefficient (GCpi)	<u>+/- 0.18</u>	<u>+/- 0.18</u>
Wind Enclosure	<u>Enclosed</u>	<u>Enclosed</u>
Wind Importance Factor	<u>N/A</u>	<u>N/A</u>
Seismic Load		
Seismic Importance Factor (Ie)	<u>1.00</u>	<u>1.00</u>
Spectral Response Accelerations (Ss and S1)	<u>0.1150</u> <u>0.0610</u>	<u>0.1150</u> <u>0.0610</u>
Site Class	<u>d</u>	<u>d</u>
Spectral Response Coefficients (Sds and Sd1)	<u>0.1227</u> <u>0.0976</u>	<u>0.1227</u> <u>0.0976</u>
Seismic Design Category	<u>B</u>	<u>B</u>
Basic Seismic-Force-Resisting System(s) *		
Longitudinal		
Lateral		
Total Design Base Shear (V)	<u>4.65</u> Kips <u>5.35</u> Kips	<u>0.48</u> Kips <u>0.58</u> Kips
Seismic Response Coefficient(s) (Cs)	<u>0.0409</u> <u>0.0409</u>	<u>0.0409</u> <u>0.0409</u>
Response Modification Factor(s) (R)	<u>3.0000</u> <u>3.0000</u>	<u>3.0000</u> <u>3.0000</u>
Analysis Procedure: Equivalent Lateral Force		

\* Steel Systems not Specifically Detailed for Seismic Resistance

DN 9  
 Loads, as noted, are as given within order documents And are applied in general accordance with the applicable provisions of the model code And/Or specification indicated. Neither the manufacturer nor the certifying engineer declares Or attests that the loads as designated are proper for local provisions that may apply Or for site specific parameters. The manufacturer's engineer's certification is limited to designs supplied by and/or engineer of record for the overall construction project.

DN 10  
 This metal building system is designed as enclosed. All exterior components (i.e. doors, windows, vents, etc.) must be designed to withstand the specified wind loading for the design of components and cladding in accordance with the specified building code. Doors are to be closed when a maximum of 50% of design wind velocity is reached.

DN 11  
 Investigation of the existing structure for possible detrimental effects due to the metal building addition is not within the manufacturer's scope of work. It is strongly recommended that the original designer or other responsible professional be retained to analyze the existing structure, recommending any reinforcement that may be needed. The manufacturer and its certifying engineer expressly exclude the existing structure from any warranty or certification whether written, verbal, or implied.

DN 13  
 The framing as shown at RF-TO-RF DIMENSION (RF LINE D) is designed to receive a future bay addition of 25'-0".

DN 17  
 This project is designed using manufacturer's standard serviceability standards. Generally this means that all stresses and deflections are within typical performance limits for normal occupancy and standard metal building products. If special requirements for deflections and vibrations must be adhered to, then they must be clearly stated in the contract documents.

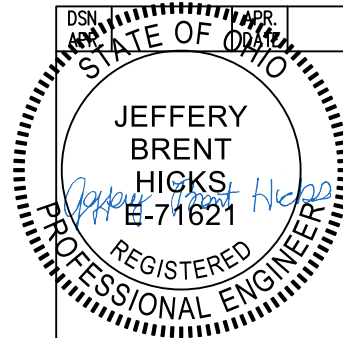
DN 18  
 X-Bracing is to be installed to a taut condition with all slack removed. Do not tighten beyond this state.

DN 19  
 The framing as shown at RF LINES A.09 & A.01 (BLDG. "B") not designed for future expansion. Corresponding frame reactions are calculated based upon actual tributary area.

DN 27  
 Per ASCE 7-16 this structure qualifies and was designed as a fully enclosed structure.

DN 28  
 The framed opening support members provided are designed ONLY for wind load forces exerted "normal (perpendicular) to the opening". No additional loads are included.

IAS Certification Accredited  
 Certification # MB-188



## DRAWING STATUS

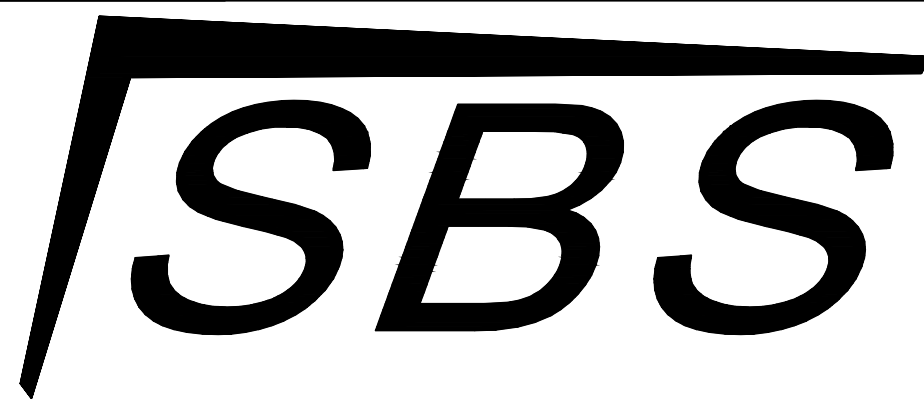
<input type="checkbox"/> FOR APPROVAL: THESE DRAWINGS, BEING FOR APPROVAL, ARE BY DEFINITION NOT FINAL, AND ARE FOR CONCEPTUAL REPRESENTATION ONLY. THEIR PURPOSE IS TO CONFIRM PROPER INTERPRETATION OF THE PROJECT DOCUMENTS. ONLY DRAWINGS ISSUED "FOR CONSTRUCTION" CAN BE CONSIDERED AS COMPLETE.	NO.	DATE	DESCRIPTION	BY	CHK'D
<input checked="" type="checkbox"/> FOR PERMIT: THESE DRAWINGS, BEING FOR PERMIT, ARE BY DEFINITION NOT FINAL IN THAT, AS A MINIMUM, PIECE MARKINGS ARE NOT IDENTIFIED. ONLY DRAWINGS ISSUED "FOR CONSTRUCTION" CAN BE CONSIDERED AS COMPLETE.	A	10/14/25	FOR PERMIT	ECD	RICH
<input type="checkbox"/> FOR CONSTRUCTION: FINAL DRAWINGS.					

## REVISIONS

NO.	DATE	DESCRIPTION	BY	CHK'D
A	10/14/25	FOR PERMIT	ECD	RICH

**SCHULTE BUILDING SYSTEMS**  
 17600 Badtke Road - Hockley, Texas 77447  
 PHONE: 281.304.6111 877.257.2534  
 FAX: 281.304.6113  
 www.SchulteBuildingSystems.com

DESCRIPTION COVER PAGE SIZE REFER TO C1  
 OWNER OR PROJECT WB Building CUSTOMER STEVENS CONSTRUCTION CO INC  
 JOB SITE LOCATION 621 BUCKEYE ST ADDRESS 2181 INNOVATION DRIVE, SUITE 10  
MARION, OH 43302-6121 MARION, OH 43302  
 CAD BY JEM ENGRD BY JEM DATE 10/6/25 SCALE N.T.S. JOB NO. 209332 SHEET NO. C1 of 3 ISSUE A



# SCHULTE BUILDING SYSTEMS

17600 BADTKE ROAD  
 HOCKLEY, TEXAS 77447  
 281-304-6111 office  
 281-304-6113 fax

**DN #31 ( Assumptions on mezzanine loads )**

31.a Future Mezzanine to be provided by others.  
 Width = 26 ft.  
 Length = 75 ft.  
 Top of beam = 12'-0"

31.b Assumed loadings;  
 Dead = 50 psf ( combined floor and supports/  
 framing )  
 Collateral = 5 psf  
 Live = 100 psf  
 Total = 155 psf

31.c For the beams along line 6, the maximum tributary design width to be 13'-0".  
 It was assumed that the top flange of the beams to be braced by the floor joist at 2'-0" O.C. (or less).

31.d Maximum vertical point loads on RF columns along line 6 / B, C and D.  
 Dead = 16.3 kips  
 Collateral = 1.63 kips  
 Live = 32.5 kips  
 Maximum vertical point loads on EW column along line 6 / A.  
 Dead = 8.2 kips  
 Collateral = 0.82 kips  
 Live = 16.3 kips

NOTE: The loads above are based on note 31.b and 31.c.

31.e Future mezzanine to have lateral bracing system on both directions ( transverse and longitudinal ).  
 No lateral loads imposed to SBS framing.

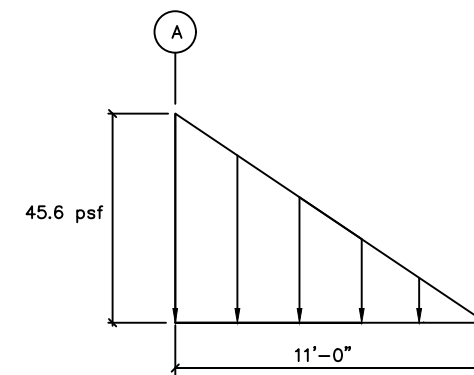
31.f No mezzanine load on EW columns @ Line 5.

**DN #32**  
 ( 2 ) Big Ass Fans with 69 lbs. Max. Weight each. See roof plan for locations.

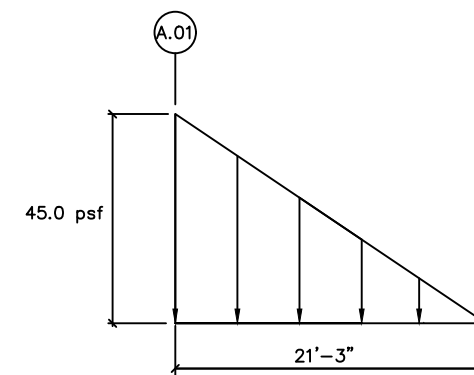
**DN #33**  
 ( 2 ) Exhaust Fans with 106 lbs. Max. Weight each. See EW elevation locations.

**DN #34**  
 ( 2 ) Louvers with 71 lbs. Max. Weight each. See EW elevation locations.

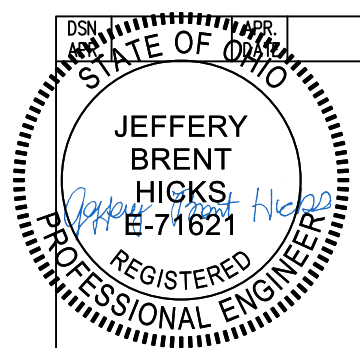
**DN #31**  
 Existing building to be structurally independent from SBS building. Provide 4" gap between the existing and SBS framing.



SNOW DRIFT LOAD ON BUILDING "B"



SNOW DRIFT LOAD ( EXISTING BUILDING )




DRAWING STATUS	
<input type="checkbox"/>	FOR APPROVAL: THESE DRAWINGS, BEING FOR APPROVAL, ARE BY DEFINITION NOT FINAL AND ARE FOR CONCEPTUAL REPRESENTATION ONLY. THEIR PURPOSE IS TO CONFIRM PROPER INTERPRETATION OF THE PROJECT DOCUMENTS. ONLY DRAWINGS ISSUED "FOR CONSTRUCTION" CAN BE CONSIDERED AS COMPLETE.
<input checked="" type="checkbox"/>	FOR PERMIT: THESE DRAWINGS, BEING FOR PERMIT, ARE BY DEFINITION NOT FINAL IN THAT, AS A MINIMUM, PIECE MARKINGS ARE NOT IDENTIFIED. ONLY DRAWINGS ISSUED "FOR CONSTRUCTION" CAN BE CONSIDERED AS COMPLETE.
<input type="checkbox"/>	FOR CONSTRUCTION: FINAL DRAWINGS.

REVISIONS			
NO.	DATE	DESCRIPTION	BY CK'D
A	10/14/25	FOR PERMIT	ECD RICH

**SCHULTE BUILDING SYSTEMS**  
 17600 Badtke Road - Hockley, Texas 77447  
 PHONE: 281.304.6111 877.257.2534  
 FAX: 281.304.6113  
 www.SchulteBuildingSystems.com

DESCRIPTION	NOTES	PAGE	SIZE	REFER TO C1
TOWER OR PROJECT	WB Building			CUSTOMER STEVENS CONSTRUCTION CO INC
JOB SITE LOCATION	621 BUCKEYE ST			ADDRESS 2181 INNOVATION DRIVE, SUITE 10
	MARION, OH 43302-6121			MARION, OH 43302
CAD BY	ENGRD BY	DATE	SCALE	JOB NO.
ECD	JEM	10/6/25	N.T.S.	209332
				PH BLDG. DESC.
				SHEET NO. C2 of 3
				ISSUE A

**GENERAL NOTES**

- The seal that appears on these drawings is the seal of the engineer for this building manufacturer who is NOT the engineer of record.
- This building manufacturer is not responsible for errors, omissions or damages incurred in the erection of building components, nor for the inspection of erected components to ascertain same.
- Temporary bracing must be installed by erector to provide adequate stability during erection. Bracing indicated on the erection drawings is critical to the stability of the completed structure and shall not be removed.
- Wall and liner panels are an integral part of the structural system. Unauthorized removal of panels is prohibited.
- "Oil-canning", a perceived waviness inherent to light gauge metal, may exist. This condition does not affect the finish or structural integrity of the panel, and is therefore not a cause for rejection.
- Trim part marks are as shown: ex. FL-32-20'-2"  trim length in feet and inches.

**APPROVAL NOTES**

- The following conditions apply in the event that these drawings are used as approval drawings:
- A) It is imperative that any changes to these drawings:
- 1) Be made in contrasting ink.
  - 2) Have all instances of change clearly indicated.
  - 3) Be legible and unambiguous.
- B) Dated signature is required on all pages.
- C) Manufacturer reserves the right to re-submit drawings with extensive or complex changes required to avoid misfabrications. This may impact the delivery schedule.
- D) Approval of these drawings indicates conclusively that the manufacturer has correctly interpreted the contract requirements, and further constitutes agreement that the building as drawn, or as drawn with indicated changes represents the total of the materials to be supplied by manufacturer.
- E) Any changes noted on the drawings not in conformance with the terms and requirements of the contract between manufacturer and its customer are not binding on manufacturer unless subsequently specifically acknowledged and agreed to in writing by change order or separate documentation. Manufacturer recognizes that rubber stamps are routinely used in indicating approval, disapproval, rejection, or mere review of the drawings submitted. However, manufacturer does not accept changes or additions to contractual terms and conditions that may appear with the use of a stamp or similar indication of approval, disapproval, etc. Such language applied to the manufacturer's drawings by the customer, architect, engineer, or any other party will be considered as unacceptable alterations to these drawing notes, and will not alter the contractual rights and obligations existing between manufacturer and its customer.

**SAFETY COMMITMENT**

The building manufacturer has a commitment to manufacture quality building components that can be safely erected, however, the safety commitment and job site practices of the erector are beyond the control of the building manufacturer. It is strongly recommended that safe working conditions and accident prevention practices be the top priority of any job site. Local, state and federal safety and health standards, whether standard statutory or customary, should always be followed to help insure worker safety. Make certain all employees know the safest and most productive way of erecting a building. Emergency procedures should be known to all employees. Daily meetings highlighting safety procedures are also recommended. The use of hard hats, rubber sole shoes for roof work, proper equipment for handling material, and safety nets where applicable, are recommended.

**BOLT TIGHTENING**

The proper tightening and inspection of all fasteners is the responsibility of the erector. All high strength (A325, A490) bolts and nuts must be tightened by the "turn-of-the nut" method unless otherwise specified by the erector and customer in the contract documents. Inspection of high strength bolt and nut installation by other than the erector must also be specified in the contract documents and the erector is responsible for ensuring that the installation and inspection procedures are compatible prior to the start of erection. (MBMA 2006 iv 6.9)

**BUILDER/CONTRACTOR RESPONSIBILITIES**

It is the responsibility of the builder/contractor to insure that all project plans and specifications comply with the applicable requirements of any governing building authorities. The supplying of sealed engineering data and drawings for the metal building system does not imply or constitute an agreement that the building manufacturer or its design engineer is acting as the engineer of record or design professional for a construction project. The contractor must secure all required approval and permits from the appropriate agency as required. Approval of the manufacturer's drawings and calculations indicate that the building manufacturer correctly interpreted and applied the requirements of the contract drawings and specifications. (sect. 4.4.1 AISC code of standard practices, 13th ed.) Where discrepancies exist between the manufacturer's structural steel plans and the plans for other trades, the structural steel plans shall govern. (sect. 3.3 AISC code of standard practice 13th ed.) Design considerations of any material in the structure which are not furnished by the building manufacturer are the responsibility of the contractors and engineers other than the building manufacturer's engineer unless specifically indicated. The contractor is responsible for all erection of steel and associated work in compliance with the building manufacturer's "for erection installation" drawings. Products shipped to builder or his customer shall be inspected by builder immediately upon arrival. Claims for shortages or defective material, if not packaged, must be made to the manufacturer in writing within five (5) days after receipt of the shipment. However, if a defect is of such nature that reasonable visual inspection would fail to disclose it, then the claim must be made within five (5) days after the builder learns of the defect. The manufacturer will not be liable for any defect unless claim is made one (1) year after date of the original shipment by the manufacturer to builder or his customer. The manufacturer will be given a reasonable opportunity to inspect defective materials upon receipt of claim by builder. If a defect is of such nature that it can be remedied by a field operation at the job site without the necessity of returning the material to the manufacturer, then upon written authorization of the manufacturer, the builder may repair or cause the material to be repaired and the manufacturer will reimburse the builder for the cost of the repair in accordance with the written authorization. Unless noted otherwise, all bracing as shown and provided by the manufacturer for this building is required to be installed by the erector as a permanent part of the structure. Temporary supports, such as temporary guys, braces, false work, cribbing or other elements required for the erection operation will be determined and furnished and installed by the erector. These temporary supports will secure the steel framing, or any partly assembled steel framing, against loads comparable in intensity to those for which the structure was designed, resulting from wind, seismic forces and erection operations, but not the loads resulting from the performance of work by or the acts of others, nor such unpredictable loads as those due to tornado, explosion or collision. (sect. 7.10.3 AISC code of standard practice, 13th ed.) Design of gutter and downspout is a function of the rainfall intensity and area to be drained. Design parameters utilized are in accordance with the 2006 low rise building systems manual and/or the 12th edition of the architectural graphic standards, as applicable. Proper owner maintenance dictates that the drainage system be kept free of debris and/or ice at all times to ensure proper function of the gutter and downspout. In those cases where the owner/tenant of a property is unwilling or unable to provide proper maintenance, elimination of gutter should be considered as an alternative.

**PRODUCT CERTIFICATION**

The building manufacturer is member of the Metal Building Manufacturers Associations. The building manufacturer's fabrication and products are covered by one or more of the following certification:

1. Approved fabricator of prefabricated buildings and components. Reference IAS(MB-188)
2. City of Houston approved fabricator (registration no. 721)

**International Building Code (IBC)**

Material properties of steel plate used in the fabrication of primary rigid frames, and primary structural exclusive of cold-formed sections, conform to ASTM-A529 or A-572. Flanges with thickness of 1" or less and width of 12" or less conformed to A-529 with minimum yield point of 55,000 PSI. Flanges greater than 3/8" in thickness and 12" in width conformed to A-572 with min. yield point of 50,000 PSI. Flanges with a thickness greater than 1" thick and a width less than 12" conform to A-572 with a min. yield point of 50,000 PSI. Material properties of pipe sections conform to ASTM-A53 type E, Grade B with a min. yield point 35,000. Material properties of hot rolled steel members conform to the requirements of ASTM-A992 or A-572 with a min. yield point of 50,000 PSI. Material properties of cold formed light gauge steel members conform to ASTM-A1011 Grade 55 with a min. yield point of 55,000 PSI. Material properties of roof/wall sheeting, base material conform to ASTM-A792 Grades 50 or 80 with min. yield point of 50,000 PSI on 80,000 PSI respectively, as required by design Coating & base material is 55% aluminum-zinc alloy in accordance with AZ55 for unpainted or AZ50 for painted specification. Cable utilized for bracing conforms to ASTM A475. Cable bracing is to be installed to a taut condition with all slack removed. Rod & angle utilized for bracing members conform to ASTM A36. Structural joints with ASTM A-325 high strength bolts, where indicated on the drawings, shall be assembled and the fasteners tightened in accordance with the bolt tightening procedure per MBMA '96 IV 6.9. All joints will be assembled without washers unless otherwise noted. All steel members except bolts, fasteners & cable shall receive one shop coat of iron oxide corrosion inhibitive primer, meeting the performance requirements of SSPC paint Specification #15. Shop & field inspections and associated fees are the responsibility of the contractor, unless stipulated otherwise in the contract.

**Packing List: 12345**

Ship To: LUIS MARTINEZ  
5487 FM 744  
PAWNDE, TX, 71576


Truck ID: EXPRESS

Carton ID	Piece Mark	Description	Dims/Qty	Length	Unit Weight	Gross Weight	Order# - Line# - CustPO#
<b>C128590 BUILDING SERVICE</b>							
	RF1-1	BUILT UP SECTION	2	8' 3-7/16"	124.0	248	12345 1 896790
	RF1-2	BUILT UP SECTION	2	10' 7-5/8"	154.0	308	12345 2 896790
	RF2-1	BUILT UP SECTION	1	8' 3-7/16"	125.0	125	12345 3 896790
<b>C128945 BUILDING SERVICE</b>							
	EC-1	ENDWALL COLUMN 8X35C16	2	9' 10-15/16"	27.5	55	12345 8 896790
	EC-2	ENDWALL COLUMN 8X35C16	2	11' 8-7/16"	33.3	67	12345 9 896790
	ER-1	ENDWALL RAFTER 8X35C14	2	8' 9-5/8"	25.1	50	12345 10 896790
	ER-2	ENDWALL RAFTER 8X35C14	2	8' 9-5/8"	25.1	50	12345 11 896790
<b>-----PA12E9697B4- 26ga PBR DESERT SAND PANEL SMP 178x0x0 222</b>							
	LEFT ENDWALL	26GA PBR ENDWALL PANEL	2	14' 9-1/2"	39.5	79	12345 35 896790
	LEFT ENDWALL	26GA PBR ENDWALL PANEL	2	13' 9-1/2"	37.0	74	12345 39 896790
	LEFT ENDWALL	26GA PBR ENDWALL PANEL	2	12' 9-1/2"	34.5	69	12345 41 896790
<b>-----C127443-BUNDLE ZEE</b>							
	G-1	ZEE 8 X 2-3/8 X 2-1/8 16GA RED OXIDE	4	4' 7-1/2"	12.7	51	12345 17 896790
	G-2	ZEE 8 X 2-3/8 X 2-1/8 16GA RED OXIDE	2	12' 7-1/2"	35.0	70	12345 18 896790
	G-3	ZEE 8 X 2-3/8 X 2-1/8 16GA RED OXIDE	4	4' 3-1/2"	11.7	47	12345 19 896790
	G-4	ZEE 8 X 2-3/8 X 2-1/8 16GA RED OXIDE	1	8' 1-1/2"	22.0	22	12345 20 896790
<b>-----C127088-WAREHOUSE</b>							
	WAREHOUSE BOX 1		0x0x0		222		
		R PANEL OUTSIDE CLOSURE STRIP 36"	22		0.0	1	12345 81 896790
		TUBE CAULKING SILICONE CLEAR 10.3 OZ TUBE	14		1.1	16	12345 83 896790
		12 X 1-1/4 SELF DRILLING CARBON SCREW LIGHT STONE	750		0.0	15	12345 91 896790
<b>-----C126431-trim box 1</b>							
	trim box 1		21x0x0		149		
		FL-31 26GA EAVE TRIM - (ALL PANELS) - LIGHT STONE SMP	2	20' 2"	13.5	27	12345 59 896790
		FL-21 26GA SCULPTURE RAKE END - ("R PANEL) LIGHT STONE SMP	4	15' 3"	22.2	89	12345 60 896790
		FL-10 26GA CORNER TRIM - OUTSIDE ("R" AND "A" PANEL) DESERT SAND SMP	4	10' 0"	8.2	33	12345 63 896790

Page 1

**PACKING LIST EXAMPLE**

**COLD FORM AND PANEL LABEL**

Customer	ABC CONSTRUCTION	Job Number	12345
Customer PO Number	07522	PART NAME	DESCRIPTION
Carton ID	PA12E9697B4	LEFT ENDWALL	26 GA. PBR SIDEWALL PANEL
		LEFT ENDWALL	26 GA. PBR SIDEWALL PANEL
		LEFT ENDWALL	26 GA. PBR SIDEWALL PANEL
		LENGTH	QTY
		14'	9-1/2" 2
		13'	9-1/2" 2
		12'	9-1/2" 2

**TRIM BUNDLE AND WAREHOUSE LABEL**

Carton ID: **C126431**

Customer: **ABC CONSTRUCTION**

Job Number: **12345**



**STRAIGHT BILL OF LADING - SHORT FORM - ORIGINAL - NOT NEGOTIABLE**

DATE 10/07/11	CARRIER JOE TRUCKING	BILL OF LADING # 54321
SHIPPER AND ORIGIN ABC BUILDINGS 17612 BROWN RD HOUSTON, TX	CONSIGNEE AND DESTINATION BOB'S BUILDING c/o LARRY UNDERWOOD 3387 DELTA RD HUEYTOWN, AL 35023 County of:	
Route: Phase: Trailer # 50582 Tracking # Freight PO# 41433	Load:  Order # 12345 Order Type: ABC Building Addl Order #s	Ship Status:
<b>COD AMOUNT: \$0.00</b>		
FOR FREIGHT COLLECT SHIPMENTS: Subject to section 7 of conditions of applicable Bill of Lading. If this shipment is to be delivered to the consignee without recourse on the consignee, the consignee shall sign the following statement: The carrier shall not make delivery of this shipment without payment of freight and other lawful charges.		
# PACKAGES 1	KIND OF PACKAGES, DESCRIPTION OF ARTICLES, SPECIAL MARKS, AND EXCEPTIONS LOT MISC. BUILT UP / STRUCTURAL / COLD FORM / PANEL / TRIM / CANOPY / 2 BUNDLES OF RED & GALV ANGLE	WEIGHT 35260
Carrier:	Print Name: Tractor #:	TOTAL WEIGHT (LBS) 35,260

RECEIVED, subject to the classifications and the tariffs in effect on the date of issue of the Bill of Lading, the property described above is in apparent good order, order, except as noted (contents and condition of contents in packages unknown), marked, consigned and destined as indicated above, which said carrier (the word carrier being understood throughout this contract as meaning any person or corporation in possession of the property under the contract) agrees to carry to its usual place of delivery as said destination, if on its route, otherwise to deliver to another carrier on the route to said destination. It is mutually agreed as to each carrier of all or any part of said property over all of any portion of said route to destination and as to each party at any time interested in all or any said property that every service to be performed hereunder shall be subject to all the terms and conditions of the Uniform Straight Bill of Lading set forth: (1) in the National Motor Freight Classification in effect on the date hereof, if this is a rail or a rail-water shipment or (2) in the applicable motor carrier classification or tariff if this is a motor carrier shipment.

Any alteration, addition, or erasure in the bill of lading shall be made with the special notation hereon of the party issuing this Bill of Lading. Such notation, when made, shall be without effect in the absence of such notation, and this Bill of Lading shall be enforceable according to its original tenor.

THIS MATERIAL MUST BE DELIVERED BY: \_\_\_\_\_

Receiver Signature: \_\_\_\_\_ Date Picked Up: \_\_\_\_\_ Time: \_\_\_\_\_

The property described above is in apparent good order, except as noted (contents and condition in packages unknown), marked, labeled, and is in proper condition for transportation according to the applicable regulations of the Department of Transportation.

Consignee's Signature: \_\_\_\_\_ Date: \_\_\_\_\_

**BILL OF LADING EXAMPLE**

**TRIM PIECE LABEL**

Piece Mark: **FL-31** Job Number: **12345**


Length: **20' 2"** Line Number: **L-59**

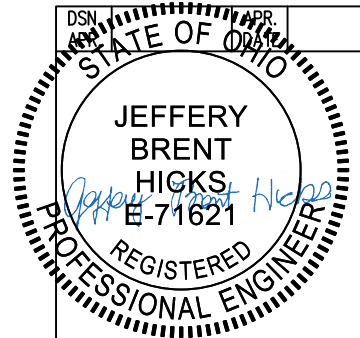


**BUILT UP, STRUCTURAL AND FAB. COLD FORM LABEL**

Job Number: **12345**

Piece Mark: **RF1-1**





**BUNDLE LABEL EXAMPLES**

**PIECE LABEL EXAMPLES**

For field issues, contact Customer Service Department at 281-304-6111 or customerservice@sbslp.com

**DRAWING STATUS**

<input type="checkbox"/> FOR APPROVAL:	NO.	DATE	DESCRIPTION	BY	CHK'D
THESE DRAWINGS, BEING FOR APPROVAL, ARE BY DEFINITION NOT FINAL AND ARE FOR CONCEPTUAL REPRESENTATION ONLY. THEIR PURPOSE IS TO CONFIRM PROPER INTERPRETATION OF THE PROJECT DOCUMENTS. ONLY DRAWINGS ISSUED "FOR CONSTRUCTION" CAN BE CONSIDERED AS COMPLETE.	A	10/14/25	FOR PERMIT	ECD	RM
<input checked="" type="checkbox"/> FOR PERMIT:					
THESE DRAWINGS, BEING FOR PERMIT, ARE BY DEFINITION NOT FINAL IN THAT, AS A MINIMUM, PIECE MARKINGS ARE NOT IDENTIFIED. ONLY DRAWINGS ISSUED "FOR CONSTRUCTION" CAN BE CONSIDERED AS COMPLETE.					
<input type="checkbox"/> FOR CONSTRUCTION:					
FINAL DRAWINGS.					

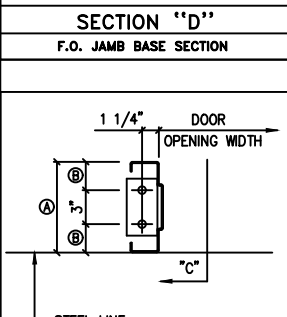
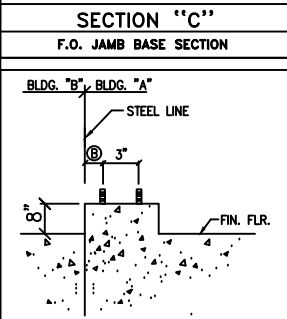
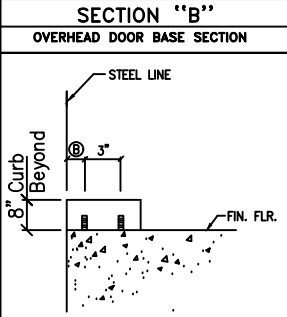
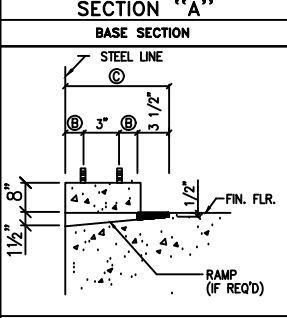
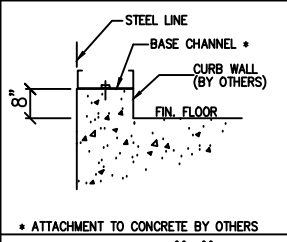
**REVISIONS**

NO.	DATE	DESCRIPTION	BY	CHK'D

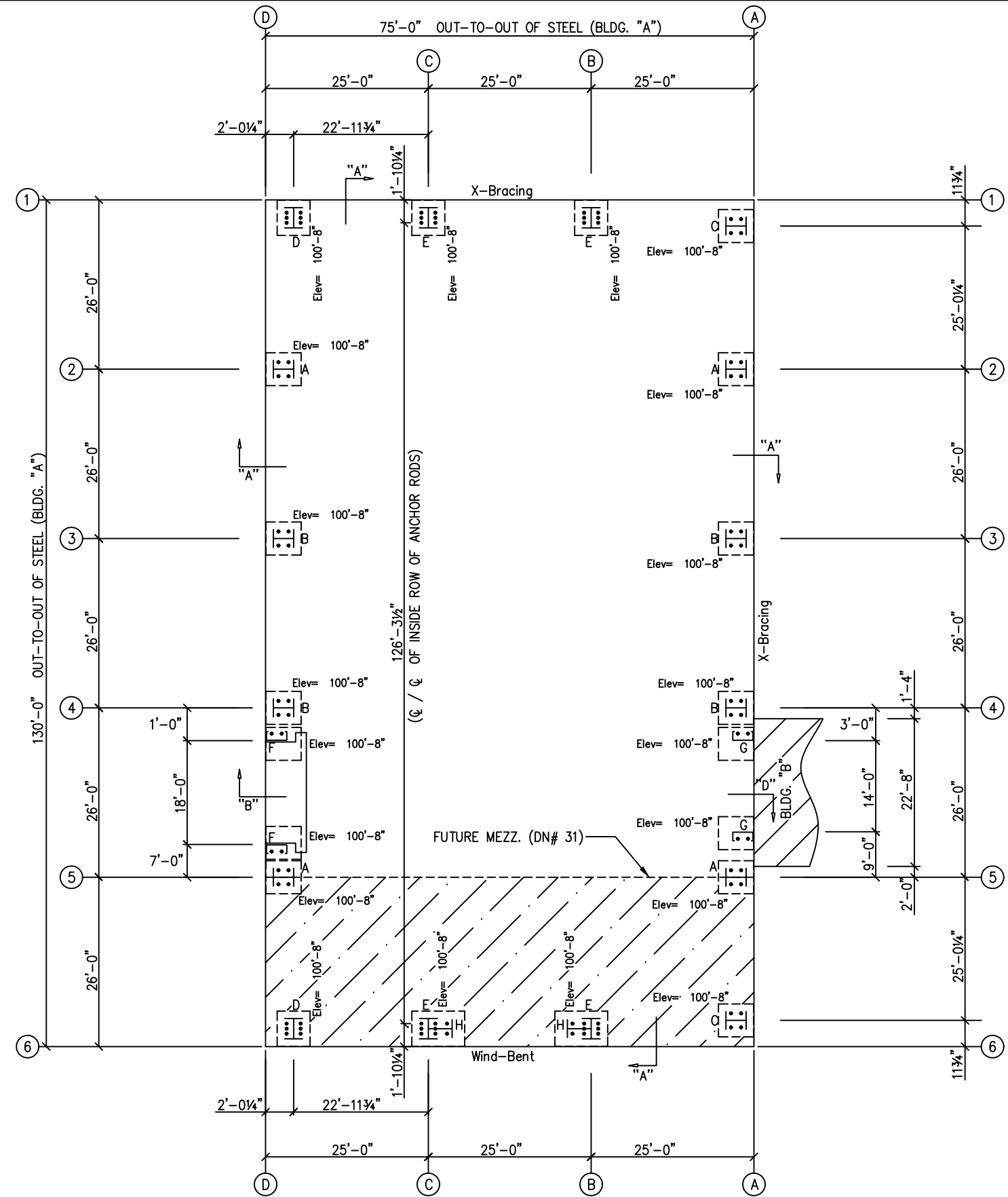
**SCHULTE BUILDING SYSTEMS**

17600 Badtke Road - Hockley, Texas 77447  
PHONE: 281.304.6111 877.257.2534  
FAX: 281.304.6113  
www.SchulteBuildingSystems.com

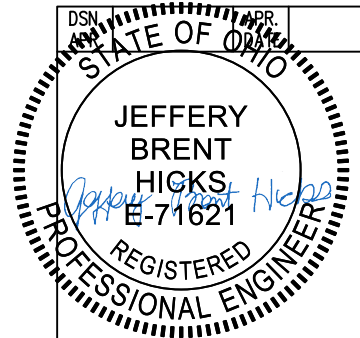
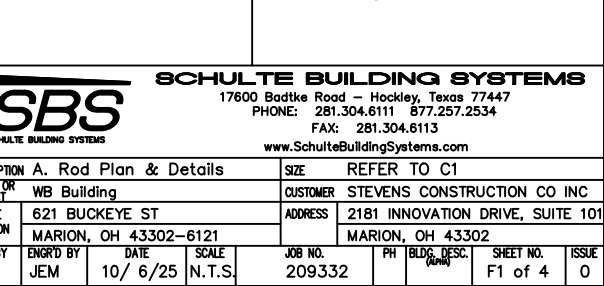
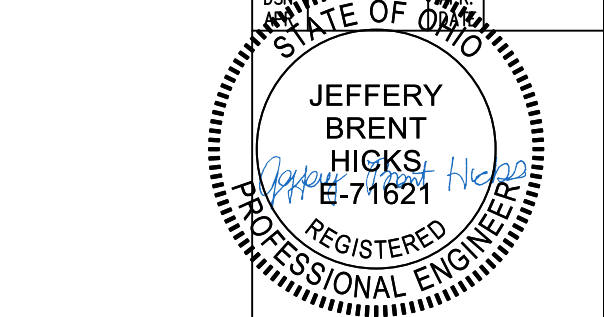
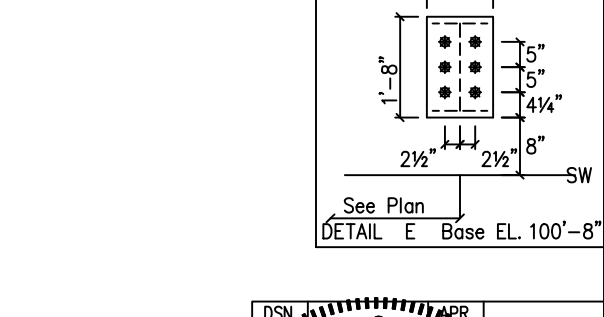
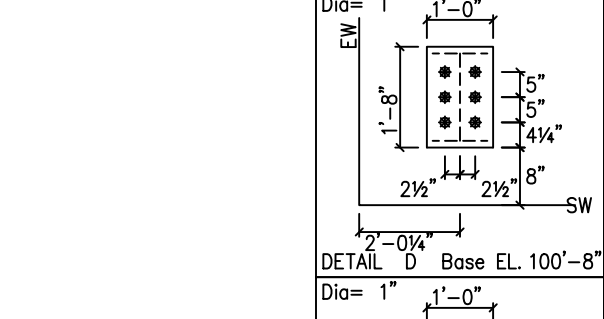
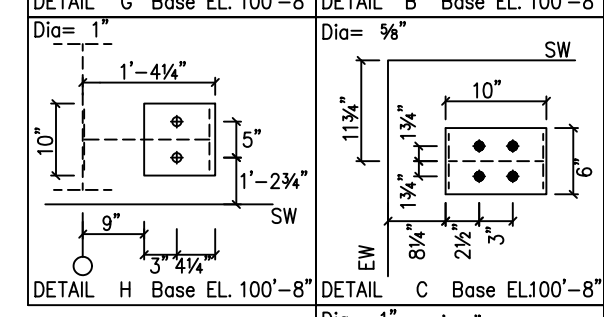
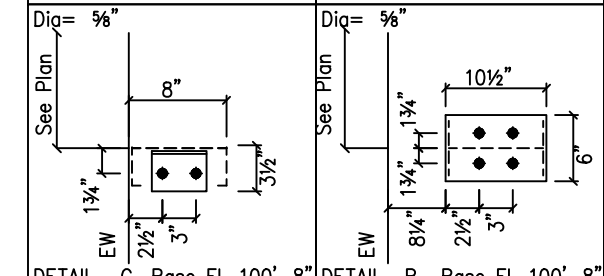
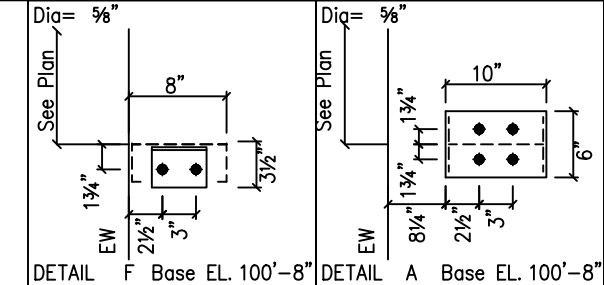
DESCRIPTION	NOTES	PAGE	SIZE	REFER TO
OWNER OR PROJECT	WB Building			C1
JOB SITE ADDRESS	621 BUCKEYE ST			CUSTOMER STEVENS CONSTRUCTION CO INC
LOCATION	MARION, OH 43302-6121			2181 INNOVATION DRIVE, SUITE 10 MARION, OH 43302
CAD BY	ENGRD BY	DATE	SCALE	JOB NO.
ECD	JEM	10/6/25	N.T.S.	209332
				PH BLDG DESC SHEET NO. ISSUE
				C3 of 3



Girt Width	Walk Door Frame	Dim.	Ramp Width
8"	8"	2 1/2"	11 1/2"
10"	10"	3 1/2"	1'-1 1/2"
12"	12"	4 1/2"	1'-3 1/2"



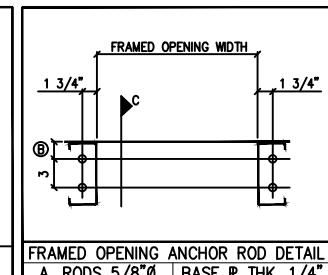
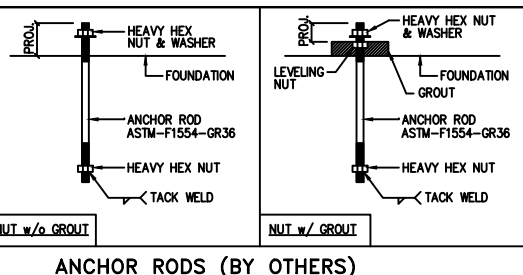
NOTE: All Base Plates @ 100'-0" (FINISH FLOOR)(UNLESS NOTED)



ANCHOR RODS HAVE BEEN DESIGNED FOR SHEAR AND TENSION LOADS ONLY, PER APPENDIX D OF ACI 318-19.

DESIGN OF SHEAR ANGLES, TENSION PLATES, HAIRPINS, AND ANY OTHER EMBEDDED MATERIAL IN THE CONCRETE SHALL BE DETERMINED BY THE FOUNDATION DESIGN ENGINEER AND PROVIDED BY OTHERS.

ANCHOR ROD PROJECTION IS FROM BOTTOM OF BASE PLATE, UNLESS GROUT IS REQUIRED.



F.O. SIZE	QTY.	SHOP LOCATE	FIELD LOCATE	TYPE/REMARKS
4'-0" X 4'-0"	4	X	X	FOR LOUVER (BY OTHERS)

**DRAWING STATUS**

FOR APPROVAL: THESE DRAWINGS, BEING FOR APPROVAL, ARE BY DEFINITION NOT FINAL, AND ARE FOR CONCEPTUAL REPRESENTATION ONLY. THEIR PURPOSE IS TO CONFIRM PROPER INTERPRETATION OF THE PROJECT DOCUMENTS. ONLY DRAWINGS ISSUED "FOR CONSTRUCTION" CAN BE CONSIDERED AS COMPLETE.

FOR PERMIT: THESE DRAWINGS, BEING FOR PERMIT, ARE BY DEFINITION NOT FINAL IN THAT, AS A MINIMUM, PIECE MARKINGS ARE NOT IDENTIFIED. ONLY DRAWINGS ISSUED "FOR CONSTRUCTION" CAN BE CONSIDERED AS COMPLETE.

FOR CONSTRUCTION: FINAL DRAWINGS.

REVISIONS			
NO.	DATE	DESCRIPTION	BY CK'D
0	10/7/25	FOR CONSTRUCTION	ECD GP

**SCHULTE BUILDING SYSTEMS**

17600 Badtke Road - Hockley, Texas 77447  
 PHONE: 281.304.6111 877.257.2534  
 FAX: 281.304.6113  
 www.SchulteBuildingSystems.com

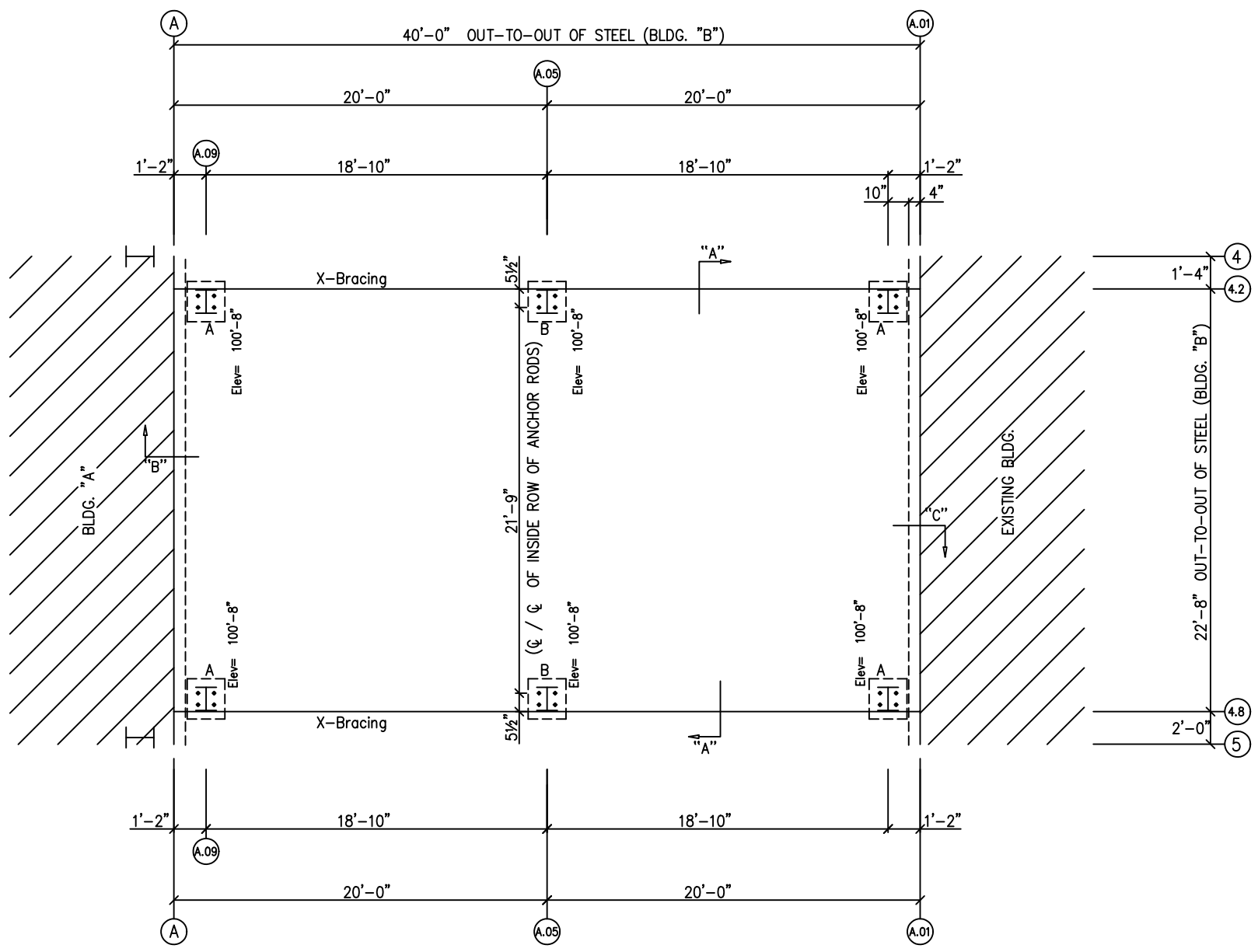
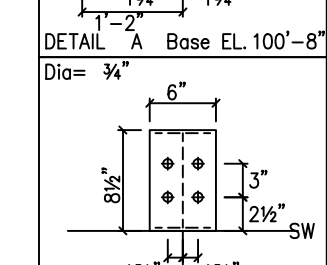
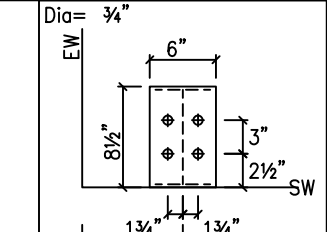
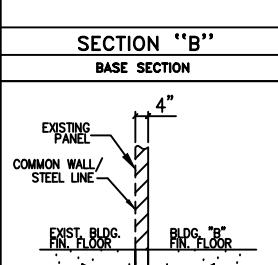
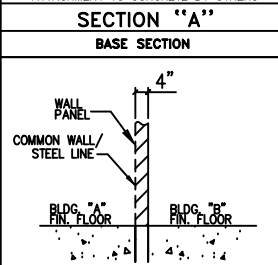
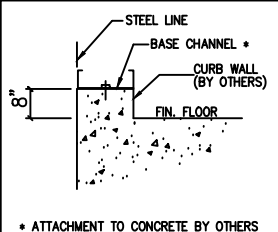
DESCRIPTION: A. Rod Plan & Details  
 SIZE: REFER TO C1

TOWER OR PROJECT: WB Building  
 CUSTOMER: STEVENS CONSTRUCTION CO INC

JOB SITE LOCATION: 621 BUCKEYE ST  
 ADDRESS: 2181 INNOVATION DRIVE, SUITE 101  
 MARION, OH 43302-6121  
 MARION, OH 43302

CAD BY: ECD  
 ENGRD BY: JEM  
 DATE: 10/6/25  
 SCALE: N.T.S.

JOB NO.: 209332  
 PH: [blank]  
 BLDG. DESC.: [blank]  
 SHEET NO.: F1 of 4  
 ISSUE: 0



ANCHOR RODS HAVE BEEN DESIGNED FOR SHEAR AND TENSION LOADS ONLY, PER APPENDIX D OF ACI 318-19.

DESIGN OF SHEAR ANGLES, TENSION PLATES, HAIRPINS, AND ANY OTHER EMBEDDED MATERIAL IN THE CONCRETE SHALL BE DETERMINED BY THE FOUNDATION DESIGN ENGINEER AND PROVIDED BY OTHERS.

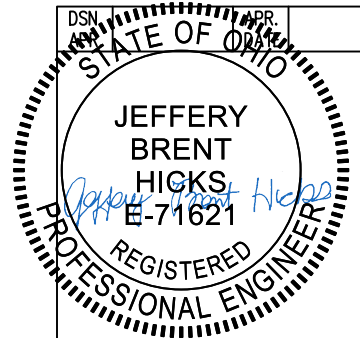
ANCHOR ROD PROJECTION IS FROM BOTTOM OF BASE PLATE, UNLESS GROUT IS REQUIRED.

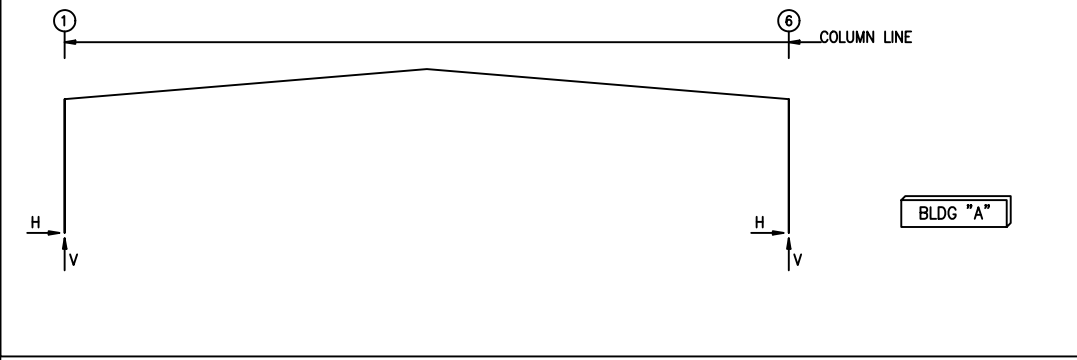
DIA.	PROJ.	PROJ.	PROJ.
1/2"	1 1/2"	HEAVY HEX NUT & WASHER	FOUNDATION
5/8"	2"	ANCHOR ROD ASTM-F1554-GR36	FOUNDATION
3/4"	2 1/2"	HEAVY HEX NUT	FOUNDATION
7/8"	3 1/2"	ANCHOR ROD ASTM-F1554-GR36	FOUNDATION
1"	3 1/2"	HEAVY HEX NUT	FOUNDATION
1 1/4"	3 1/2"	NUT w/ GROUT	FOUNDATION

ANCHOR RODS (BY OTHERS)

DRAWING STATUS		REVISIONS				
<input type="checkbox"/>	FOR APPROVAL: THESE DRAWINGS, BEING FOR APPROVAL, ARE BY DEFINITION NOT FINAL, AND ARE FOR CONCEPTUAL REPRESENTATION ONLY. THEIR PURPOSE IS TO CONFIRM PROPER INTERPRETATION OF THE PROJECT DOCUMENTS. ONLY DRAWINGS ISSUED "FOR CONSTRUCTION" CAN BE CONSIDERED AS COMPLETE.	NO.	DATE	DESCRIPTION	BY	CK'D
<input type="checkbox"/>	FOR PERMIT: THESE DRAWINGS, BEING FOR PERMIT, ARE BY DEFINITION NOT FINAL IN THAT, AS A MINIMUM, PIECE MARKINGS ARE NOT IDENTIFIED. ONLY DRAWINGS ISSUED "FOR CONSTRUCTION" CAN BE CONSIDERED AS COMPLETE.	0	10/7/25	FOR CONSTRUCTION	ECD	GP
<input checked="" type="checkbox"/>	FOR CONSTRUCTION: FINAL DRAWINGS.					

SCHULTE BUILDING SYSTEMS	
DESCRIPTION	A. Rod Plan & Details
SIZE	REFER TO C1
TOWER OR PROJECT	WB Building
CUSTOMER	STEVENS CONSTRUCTION CO INC
JOB SITE ADDRESS	621 BUCKEYE ST
LOCATION	MARION, OH 43302-6121
ADDRESS	2181 INNOVATION DRIVE, SUITE 101
LOCATION	MARION, OH 43302
CAD BY	JEM
ENGRD BY	JEM
DATE	10/6/25
SCALE	N.T.S.
JOB NO.	209332
PH	
BLDG. DESC.	
SHEET NO.	F2 of 4
ISSUE	0





**RIGID FRAME: MAXIMUM REACTIONS, ANCHOR RODS, & BASE PLATES**

Frm Line	Col Line	Load Id	Column_Reactions(k)		Load Id	Hmin H	V Vmin	Bolt Qty	Dia	Base_Plate(in)			Grout (in)
			Hmax H	V Vmax						Width	Length	Thick	
D	1	6	43.1	49.4	2	-22.6	-23.7	6	1.000	12.00	20.00	0.625	8.0
D	6	3	22.6	-10.2	6	-43.1	82.1	6	1.000	12.00	20.00	0.625	8.0
		7	-34.8	102.9	3	22.6	-10.2						

**RIGID FRAME: MAXIMUM REACTIONS, ANCHOR RODS, & BASE PLATES**

Frm Line	Col Line	Load Id	Column_Reactions(k)		Load Id	Hmin H	V Vmin	Bolt Qty	Dia	Base_Plate(in)			Grout (in)
			Hmax H	V Vmax						Width	Length	Thick	
C*	1	6	43.7	50.0	2	-17.4	-17.9	6	1.000	12.00	20.00	0.625	8.0
C*	6	3	17.4	-4.4	6	-43.7	82.5	6	1.000	12.00	20.00	0.625	8.0
		7	-35.3	103.3	5	10.1	-12.3						

C\* Frame lines: C B

**ENDWALL COLUMN: BASIC COLUMN REACTIONS (k)**

Frm Line	Col Line	Dead Vert	Wind Press Horz	Wind Suct Horz	Seis Long Horz	Wind Long	
						Horz	Vert
D	2	0.4	-7.6	8.4	0.1		
D	3	0.5	-8.3	9.2	0.1		
D	4	0.5	-8.3	9.2	0.1		
D	5	0.4	-7.6	8.4	0.1		

Frm Line	Col Line	Dead Vert	Collat Vert	Live Vert	Floor Vert	Snow Vert	Wind_Left1		Wind_Right1		Wind_Left2		Wind_Right2	
							Horz	Vert	Horz	Vert	Horz	Vert	Horz	Vert
A	6	11.8	5.7	2.8	19.0	1.9	0.0	-4.4	0.0	-2.8	0.0	-2.9	0.0	-1.3
A	5	1.7	1.9	7.5	0.0	5.3	0.0	-12.4	0.0	-7.0	0.0	-8.6	0.0	-3.2
A	4	1.6	1.7	6.6	0.0	4.7	-3.2	-13.7	0.0	-3.0	-3.2	-10.6	0.0	0.1
A	3	1.6	1.7	6.6	0.0	4.7	0.0	-3.0	3.2	-13.7	0.0	0.1	3.2	-10.6
A	2	1.7	1.9	7.5	0.0	5.3	0.0	-7.0	0.0	-12.4	0.0	-3.2	0.0	-8.6
A	1	0.7	0.7	2.8	0.0	1.9	0.0	-2.8	0.0	-4.4	0.0	-1.3	0.0	-2.9

Frm Line	Col Line	E2UNB_SL_L- Horz	E2UNB_SL_L- Vert	E2UNB_SL_R- Horz	E2UNB_SL_R- Vert
A	5	0.0	5.5	0.0	1.4
A	4	0.0	7.6	0.0	2.1
A	3	0.0	2.1	0.0	7.6
A	2	0.0	1.4	0.0	5.5
A	1	0.0	0.6	0.0	1.9

**ENDWALL COLUMN: MAXIMUM REACTIONS, ANCHOR BOLTS, & BASE PLATES**

Frm Line	Col Line	Load Id	Column_Reactions(k)		Load Id	Hmin H	V Vmin	Bolt Qty	Dia	Base_Plate(in)			Grout (in)
			Hmax H	V Vmax						Width	Length	Thick	
D	2	8	5.1	0.2	9	-4.6	0.2	4	0.625	6.000	10.00	0.375	8.0
		10	3.8	0.4									
D	3	8	5.5	0.3	9	-5.0	0.3	4	0.625	6.000	10.50	0.375	8.0
		10	4.1	0.5									
D	4	8	5.5	0.3	9	-5.0	0.3	4	0.625	6.000	10.50	0.375	8.0
		10	4.1	0.5									
D	5	8	5.1	0.2	9	-4.6	0.2	4	0.625	6.000	10.00	0.375	8.0
		10	3.8	0.4									
A	6	11	2.4	4.3	12	-2.1	4.3	4	0.625	6.000	10.00	0.375	8.0
		1	0.0	36.5									
A	5	11	4.8	-6.5	12	-4.4	-6.5	4	0.625	6.000	10.00	0.375	8.0
		6	0.0	11.1	11	4.8	-6.5						
A	4	13	5.4	-7.3	12	-4.9	-4.4	4	0.625	6.000	10.50	0.375	8.0
		14	0.0	10.9	13	5.4	-7.3						
A	3	15	5.4	-7.3	9	-4.9	-4.4	4	0.625	6.000	10.50	0.375	8.0
		16	0.0	10.9	15	5.4	-7.3						
A	2	17	4.8	-6.5	9	-4.4	-6.5	4	0.625	6.000	10.00	0.375	8.0
		6	0.0	11.1	17	4.8	-6.5						
A	1	17	2.4	-2.4	9	-2.1	-2.4	4	0.625	6.000	10.00	0.375	8.0
		6	0.0	4.2	17	2.4	-2.4						

**RIGID FRAME: BASIC COLUMN REACTIONS (k)**

Frame Line	Column Line	---Dead---		---Collateral---		---Live---		---Floor---		---Snow---		---Wind_Left1---	
		Horz	Vert	Horz	Vert	Horz	Vert	Horz	Vert	Horz	Vert	Horz	Vert
D	1	6.2	8.8	7.1	8.0	29.8	32.5	-1.2	-0.5	20.8	22.8	-43.9	-48.3
D	6	-6.2	31.3	-7.1	18.3	-29.8	32.5	1.2	38.5	-20.8	22.8	30.0	-34.6

Frame Line	Column Line	---Wind_Right1---		---Wind_Left2---		---Wind_Right2---		---Wind_Long1---		---Wind_Long2---		---Seismic_Left---	
		Horz	Vert	Horz	Vert	Horz	Vert	Horz	Vert	Horz	Vert	Horz	Vert
D	1	-30.0	-34.6	-32.3	-32.3	-18.4	-18.6	-23.0	-34.9	-24.2	-28.1	-0.8	-0.3
D	6	43.9	-48.3	18.4	-18.6	32.3	-32.3	24.2	-28.1	23.0	-34.9	-0.8	0.3

Frame Line	Column Line	Seismic_Right		---MIN_SNOW---		F1UNB_SL_L-		F1UNB_SL_R-	
		Horz	Vert	Horz	Vert	Horz	Vert	Horz	Vert
D	1	0.8	0.3	29.8	32.5	18.4	23.1	18.4	13.7
D	6	0.8	-0.3	-29.8	32.5	-18.4	13.7	-18.4	13.7

Frame Line	Column Line	---Dead---		---Collateral---		---Live---		---Floor---		---Snow---		---Wind_Left1---	
		Horz	Vert	Horz	Vert	Horz	Vert	Horz	Vert	Horz	Vert	Horz	Vert
C*	1	6.2	8.8	7.7	8.6	29.8	32.5	-1.2	-0.5	20.8	22.8	-35.1	-38.6
C*	6	-6.2	31.3	-7.7	18.7	-29.8	32.5	1.2	38.5	-20.8	22.8	24.2	-28.7

Frame Line	Column Line	---Wind_Right1---		---Wind_Left2---		---Wind_Right2---		---Wind_Long1---		---Wind_Long2---		---Seismic_Left---	
		Horz	Vert	Horz	Vert	Horz	Vert	Horz	Vert	Horz	Vert	Horz	Vert
C*	1	-24.2	-28.7	-23.6	-22.6	-12.7	-12.8	-23.0	-32.4	-24.2	-45.6	-0.7	-0.2
C*	6	35.1	-38.6	12.7	-12.8	23.6	-22.6	24.2	-45.0	23.0	-51.8	-0.7	0.2

Frame Line	Column Line	Seismic_Right		Seismic_Long1		Seismic_Long2		---MIN_SNOW---		F2UNB_SL_L-		F2UNB_SL_R-	
		Horz	Vert	Horz	Vert	Horz	Vert	Horz	Vert	Horz	Vert	Horz	Vert
C*	1	0.7	0.2	0.0	-2.2	0.0	2.2	29.8	32.5	18.4	23.1	18.4	13.7
C*	6	0.7	-0.2	0.0	-2.2	0.0	2.2	-29.8	32.5	-18.4	13.7	-18.4	13.7

C\* Frame lines: C B

**NOTES FOR REACTIONS**

Building reactions are based on the following building data:

- Width (ft) = 130.0
- Length (ft) = 75.0
- Eave Height (ft) = 24.0/ 24.0
- Roof Slope (rise/12) = 1.00/ 1.00
- Roof Dead Load (psf) = 2.5
- Wall Dead Load (psf) = 4.0
- Left Endwall (psf) = 4.0
- Right Endwall (psf) = 4.0
- Front Sidewall (psf) = 4.0
- Back Sidewall (psf) = 4.0
- Live Load (psf) = 20.0
- Collateral Load (psf) = 5.0
- Snow Load (psf) = 14.0
- Minimum Snow (psf) = 20.0
- Wind Speed (mph) = 115.0
- Wind Code = OBC 24 (IBC 21)
- Exposure = C
- Closure = Enclosed
- Internal Wind Coeff = -0.18, +0.18
- Risk Category = II - Normal
- Importance - Wind = N/A
- Importance - Seismic = 1.00
- Seismic Design Category = B
- Seismic Coeff (Sms) = 0.18

ID Description

- 1 Dead+Collateral+Floor\_Live
- 2 0.6Dead+0.6Wind\_Left1
- 3 0.6Dead+0.6Wind\_Right1
- 4 0.6Dead+0.6Wind\_Long1L
- 5 0.6Dead+0.6Wind\_Long2L
- 6 Dead+Collateral+MIN\_SNOW
- 7 Dead+Collateral+0.75Floor\_Live+0.75MIN\_SNOW
- 8 0.6Dead+0.6Wind\_Right2+0.6Wind\_Suction
- 9 0.6Dead+0.6Wind\_Pressure+0.6Wind\_Long2L
- 10 Dead+Collateral+0.75Snow+0.45Wind\_Suction+0.45Wind\_Long2L
- 11 0.6Dead+0.6Wind\_Suction+0.6Wind\_Long1L
- 12 0.6Dead+0.6Wind\_Pressure+0.6Wind\_Long1L
- 13 0.6Dead+0.6Wind\_Left1+0.6Wind\_Suction
- 14 Dead+Collateral+E2UNB\_SL\_L
- 15 0.6Dead+0.6Wind\_Right1+0.6Wind\_Suction
- 16 Dead+Collateral+E2UNB\_SL\_R
- 17 0.6Dead+0.6Wind\_Suction+0.6Wind\_Long2L

**BUILDING BRACING REACTIONS**

Loc	Wall Line	Col Line	± Reactions(k)				Panel_Shear (lb/ft)		Note
			Wind Horz	Wind Vert	Seismic Horz	Seismic Vert	Wind	Seis	
L_EW	D								(h)
R_SW	6	C,B	8.2	13.9	1.2	2.0			(b)
R_EW	A	4,3	3.2	3.3	1.0	1.0			
B_SW	1	B,C	16.3	14.2	2.3	2.0			

(b) Wind bent in bay, base above finish floor  
(h) Rigid frame at endwall

Reactions for seismic represent shear force, Eh  
Reaction values shown are unfactored

**DRAWING STATUS**

<input type="checkbox"/> FOR APPROVAL: THESE DRAWINGS, BEING FOR APPROVAL, ARE BY DEFINITION NOT FINAL, AND ARE FOR CONCEPTUAL REPRESENTATION ONLY. THEIR PURPOSE IS TO CONFIRM PROPER INTERPRETATION OF THE PROJECT DOCUMENTS. ONLY DRAWINGS ISSUED "FOR CONSTRUCTION" CAN BE CONSIDERED AS COMPLETE.	NO.	DATE	DESCRIPTION	BY	CHK'D
<input type="checkbox"/> FOR PERMIT: THESE DRAWINGS, BEING FOR PERMIT, ARE BY DEFINITION NOT FINAL IN THAT, AS A MINIMUM, PIECE MARKINGS ARE NOT IDENTIFIED. ONLY DRAWINGS ISSUED "FOR CONSTRUCTION" CAN BE CONSIDERED AS COMPLETE.	0	10/7/25	FOR CONSTRUCTION	ECD	GP
<input checked="" type="checkbox"/> FOR CONSTRUCTION: FINAL DRAWINGS.					

**REVISIONS**

NO.	DATE	DESCRIPTION	BY	CHK'D
0	10/7/25	FOR CONSTRUCTION	ECD	GP

**SCHULTE BUILDING SYSTEMS**  
17600 Badtke Road - Hockley, Texas 77447  
PHONE: 281.304.6111 877.257.2534  
FAX: 281.304.6113  
www.SchulteBuildingSystems.com

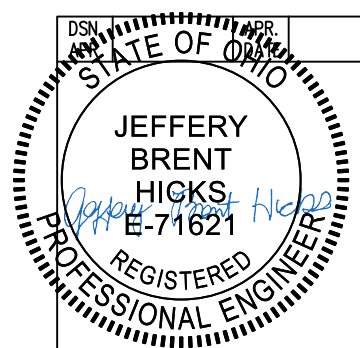
**DESCRIPTION REACTIONS** SIZE REFER TO C1

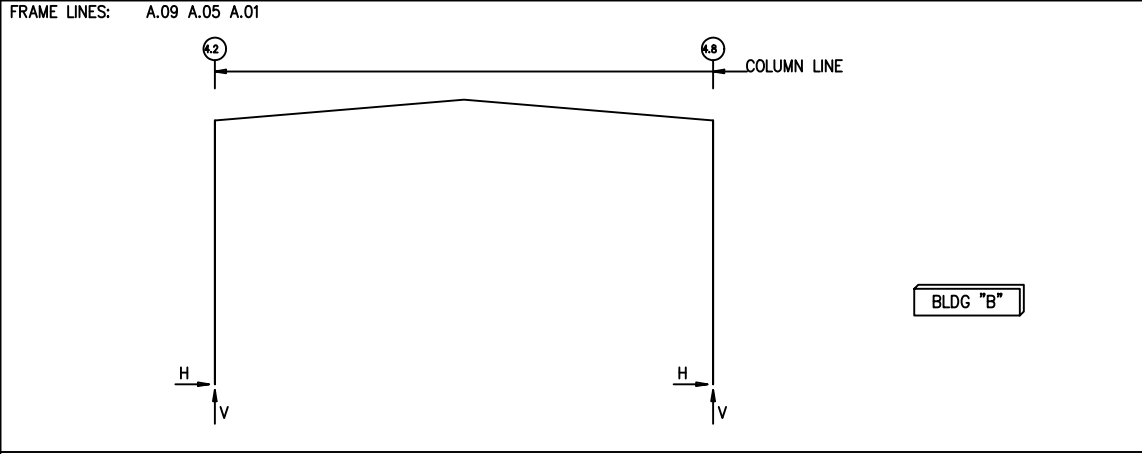
**OWNER OR PROJECT** WB Building CUSTOMER STEVENS CONSTRUCTION CO INC

**JOB SITE** 621 BUCKEYE ST ADDRESS 2181 INNOVATION DRIVE, SUITE 101

**LOCATION** MARION, OH 43302-6121 LOCATION MARION, OH 43302

**CAD BY** ECD **ENGRD BY** JEM **DATE** 10/6/25 **SCALE** N.T.S. **JOB NO.** 209332 **PH** **BLDG DESC.** **SHEET NO.** F3 of 4 **ISSUE**





**RIGID FRAME: BASIC COLUMN REACTIONS (k)**

Frame Line	Column Line	---Dead---		---Collateral---		---Live---		---Snow---		---Snow_Drift---		---Wind_Left1---	
		Horz	Vert	Horz	Vert	Horz	Vert	Horz	Vert	Horz	Vert	Horz	Vert
A.09	4.2	0.1	0.6	0.2	0.7	0.6	2.7	0.5	1.9	0.7	2.8	-1.8	-3.7
A.09	4.8	-0.1	0.6	-0.2	0.7	-0.6	2.7	-0.5	1.9	-0.7	2.8	-0.8	-1.7

Frame Line	Column Line	---Wind_Right1---		---Wind_Left2---		---Wind_Right2---		---Wind_Long1---		---Wind_Long2---		---Seismic_Left---	
		Horz	Vert	Horz	Vert	Horz	Vert	Horz	Vert	Horz	Vert	Horz	Vert
A.09	4.2	0.8	-1.7	-2.1	-2.6	0.6	-0.5	0.4	-3.1	0.3	-2.7	-0.1	-0.1
A.09	4.8	1.8	-3.7	-0.6	-0.5	2.1	-2.6	-0.3	-2.7	-0.4	-3.1	-0.1	0.1

Frame Line	Column Line	Seismic_Right		Seismic_Long1		Seismic_Long2		---MIN_SNOW---		F1UNB_SL_L---		F1UNB_SL_R---	
		Horz	Vert	Horz	Vert	Horz	Vert	Horz	Vert	Horz	Vert	Horz	Vert
A.09	4.2	0.1	0.1	0.0	-0.1	0.0	0.1	0.6	2.7	0.4	2.2	0.4	1.1
A.09	4.8	0.1	-0.1	0.0	-0.1	0.0	0.1	-0.6	2.7	-0.4	1.1	-0.4	2.2

Frame Line	Column Line	---Dead---		---Collateral---		---Live---		---Snow---		---Snow_Drift---		---Wind_Left1---	
		Horz	Vert	Horz	Vert	Horz	Vert	Horz	Vert	Horz	Vert	Horz	Vert
A.05	4.2	0.2	0.9	0.3	1.4	1.3	5.7	0.9	4.0	0.1	0.6	-2.7	-6.2
A.05	4.8	-0.2	0.9	-0.3	1.4	-1.3	5.7	-0.9	4.0	-0.1	0.6	-1.1	-3.3

Frame Line	Column Line	---Wind_Right1---		---Wind_Left2---		---Wind_Right2---		---Wind_Long1---		---Wind_Long2---		---Seismic_Left---	
		Horz	Vert	Horz	Vert	Horz	Vert	Horz	Vert	Horz	Vert	Horz	Vert
A.05	4.2	1.1	-3.3	-3.0	-3.8	0.8	-0.9	0.4	-5.9	0.2	-4.9	-0.1	-0.1
A.05	4.8	2.7	-6.2	-0.8	-0.9	3.0	-3.8	-0.2	-4.9	-0.4	-5.9	-0.1	0.1

Frame Line	Column Line	Seismic_Right		Seismic_Long1		Seismic_Long2		---MIN_SNOW---		F2UNB_SL_L---		F2UNB_SL_R---	
		Horz	Vert	Horz	Vert	Horz	Vert	Horz	Vert	Horz	Vert	Horz	Vert
A.05	4.2	0.1	0.1	0.0	-0.1	0.0	0.1	1.3	5.7	0.8	4.5	0.8	2.3
A.05	4.8	0.1	-0.1	0.0	-0.1	0.0	0.1	-1.3	5.7	-0.8	2.3	-0.8	4.5

Frame Line	Column Line	---Dead---		---Collateral---		---Live---		---Snow---		---Wind_Left1---		---Wind_Right1---	
		Horz	Vert	Horz	Vert	Horz	Vert	Horz	Vert	Horz	Vert	Horz	Vert
A.01	4.2	0.1	0.6	0.2	0.7	0.6	2.7	0.5	1.9	-1.8	-3.7	0.8	-1.7
A.01	4.8	-0.1	0.6	-0.2	0.7	-0.6	2.7	-0.5	1.9	-0.8	-1.7	1.8	-3.7

Frame Line	Column Line	---Wind_Left2---		---Wind_Right2---		---Wind_Long1---		---Wind_Long2---		---Seismic_Left---		Seismic_Right	
		Horz	Vert	Horz	Vert	Horz	Vert	Horz	Vert	Horz	Vert	Horz	Vert
A.01	4.2	-2.1	-2.6	0.6	-0.5	0.4	-2.5	0.3	-2.1	-0.1	-0.1	0.1	0.1
A.01	4.8	-0.6	-0.5	2.1	-2.6	-0.3	-2.1	-0.4	-2.5	-0.1	0.1	0.1	-0.1

Frame Line	Column Line	---MIN_SNOW---		F3UNB_SL_L---		F3UNB_SL_R---	
		Horz	Vert	Horz	Vert	Horz	Vert
A.01	4.2	0.6	2.7	0.4	2.2	0.4	1.1
A.01	4.8	-0.6	2.7	-0.4	1.1	-0.4	2.2

**RIGID FRAME: MAXIMUM REACTIONS, ANCHOR RODS, & BASE PLATES**

Frm Line	Col Line	Column_Reactions(k)						Bolt(in) Qty	Dia	Base_Plate(in)			Grout (in)
		Load Id	Hmax H	V Vmax	Load Id	Hmin H	V Vmin			Width	Length	Thick	
A.09	4.2	6	1.5	4.0	9	-1.2	-1.2	4	0.750	6.000	8.500	0.500	8.0
		2	1.4	6.0	7	-1.0	-1.9						
A.09	4.8	10	1.2	-1.2	5	-1.5	4.0	4	0.750	6.000	8.500	0.500	8.0
		2	-1.4	6.0	8	1.0	-1.9						

**RIGID FRAME: MAXIMUM REACTIONS, ANCHOR RODS, & BASE PLATES**

Frm Line	Col Line	Column_Reactions(k)						Bolt(in) Qty	Dia	Base_Plate(in)			Grout (in)
		Load Id	Hmax H	V Vmax	Load Id	Hmin H	V Vmin			Width	Length	Thick	
A.05	4.2	4	2.0	5.1	9	-1.7	-1.7	4	0.750	6.000	8.500	0.500	8.0
		11	1.9	8.0	7	-1.5	-3.2						
A.05	4.8	10	1.7	-1.7	3	-2.0	5.1	4	0.750	6.000	8.500	0.500	8.0
		11	-1.9	8.0	8	1.5	-3.2						

**RIGID FRAME: MAXIMUM REACTIONS, ANCHOR RODS, & BASE PLATES**

Frm Line	Col Line	Column_Reactions(k)						Bolt(in) Qty	Dia	Base_Plate(in)			Grout (in)
		Load Id	Hmax H	V Vmax	Load Id	Hmin H	V Vmin			Width	Length	Thick	
A.01	4.2	4	1.1	2.5	9	-1.2	-1.2	4	0.750	6.000	8.500	0.500	8.0
		1	0.9	4.0	7	-1.0	-1.9						
A.01	4.8	10	1.2	-1.2	3	-1.1	2.5	4	0.750	6.000	8.500	0.500	8.0
		1	-0.9	4.0	8	1.0	-1.9						

**BUILDING BRACING REACTIONS**

Loc	Wall Line	Col Line	± Reactions(k)				Panel_Shear (lb/ft)		Note
			Wind Horz	Wind Vert	Seismic Horz	Seismic Vert	Wind	Seis	
L_EW	A.09								(h)
F_SW	4.8	A.09,A.05	1.3	0.7	0.2	0.1			(h)
R_EW	A.01								
B_SW	4.2	A.05,A.09	1.3	0.7	0.2	0.1			(h)

(h) Rigid frame at endwall

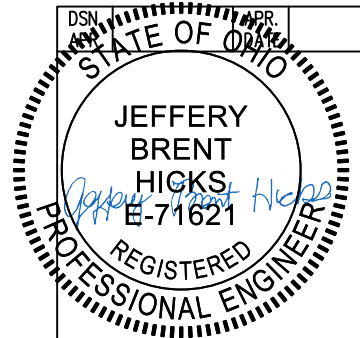
Reactions for seismic represent shear force, Eh  
Reaction values shown are unfactored

**NOTES FOR REACTIONS**

Building reactions are based on the following building data:

- Width (ft) = 22.7
- Length (ft) = 40.0
- Eave Height (ft) = 12.0 / 12.0
- Roof Slope (rise/12) = 1.00 / 1.00
- Roof Dead Load (psf) = 2.5
- Wall Dead Load
- Left Endwall (psf) = 0.0
- Right Endwall (psf) = 4.0
- Front Sidewall (psf) = 4.0
- Back Sidewall (psf) = 4.0
- Live Load (psf) = 20.0
- Collateral Load (psf) = 5.0
- Snow Load (psf) = 14.0
- Minimum Snow (psf) = 20.0
- Wind Speed (mph) = 115.0
- Wind Code = OBC 24 (IBC 21)
- Exposure = C
- Closure = Enclosed
- Internal Wind Coeff = -0.18, +0.18
- Risk Category = II - Normal
- Importance - Wind = N/A
- Importance - Seismic = 1.00
- Seismic Design Category = B
- Seismic Coeff (Sms) = 0.18

ID	Description
1	Dead+Collateral+Live
2	Dead+Collateral+Snow+Snow_Drift
3	Dead+Collateral+0.75Live+0.45Wind_Left1
4	Dead+Collateral+0.75Live+0.45Wind_Right1
5	Dead+Collateral+0.75Snow+0.45Wind_Left1+0.75Snow_Drift
6	Dead+Collateral+0.75Snow+0.45Wind_Right1+0.75Snow_Drift
7	0.6Dead+0.6Wind_Left1
8	0.6Dead+0.6Wind_Right1
9	0.6Dead+0.6Wind_Left2
10	0.6Dead+0.6Wind_Right2
11	Dead+Collateral+MIN_SNOW



DRAWING STATUS		REVISIONS				
<input type="checkbox"/>	FOR APPROVAL: THESE DRAWINGS, BEING FOR APPROVAL, ARE BY DEFINITION NOT FINAL, AND ARE FOR CONCEPTUAL REPRESENTATION ONLY. THEIR PURPOSE IS TO CONFIRM PROPER INTERPRETATION OF THE PROJECT DOCUMENTS. ONLY DRAWINGS ISSUED "FOR CONSTRUCTION" CAN BE CONSIDERED AS COMPLETE.	NO.	DATE	DESCRIPTION	BY	CK'D
<input type="checkbox"/>	FOR PERMIT: THESE DRAWINGS, BEING FOR PERMIT, ARE BY DEFINITION NOT FINAL IN THAT, AS A MINIMUM, PIECE MARKINGS ARE NOT IDENTIFIED. ONLY DRAWINGS ISSUED "FOR CONSTRUCTION" CAN BE CONSIDERED AS COMPLETE.	0	10/7/25	FOR CONSTRUCTION	ECD	GP
<input checked="" type="checkbox"/>	FOR CONSTRUCTION: FINAL DRAWINGS.					

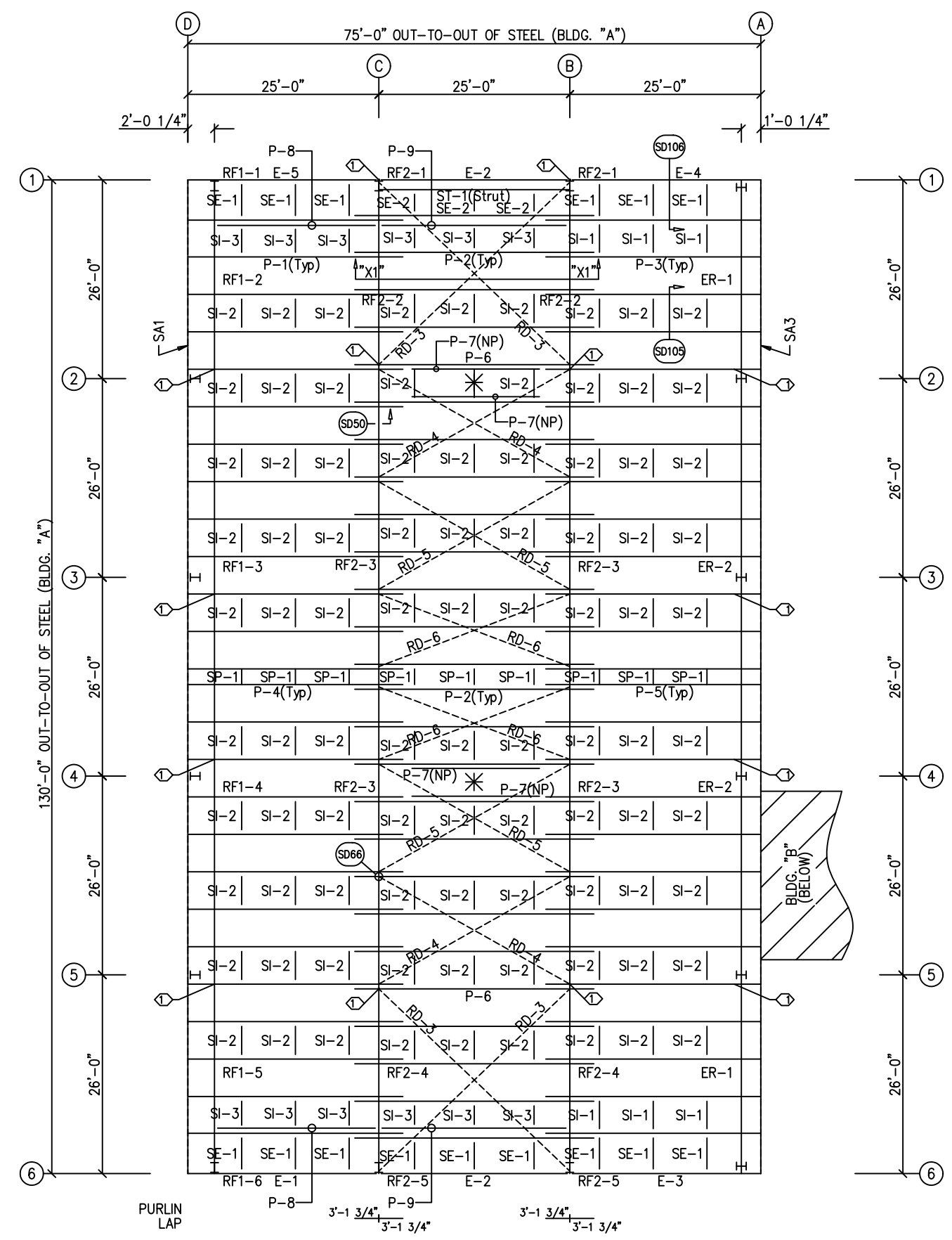
  

SCHULTE BUILDING SYSTEMS		17600 Badtke Road - Hackley, Texas 77447	
PHONE: 281.304.6111 877.257.2534		FAX: 281.304.6113	
www.SchulteBuildingSystems.com			
DESCRIPTION REACTIONS		SIZE	REFER TO C1
TOWER OR PROJECT	WB Building	CUSTOMER	STEVENS CONSTRUCTION CO INC
JOB SITE	621 BUCKEYE ST	ADDRESS	2181 INNOVATION DRIVE, SUITE 101
LOCATION	MARION, OH 43302-6121	LOCATION	MARION, OH 43302
CAD BY	ENGRD BY	DATE	SCALE
ECD	JEM	10/ 6/25	N.T.S.
JOB NO.	PH	BLDG DESC.	SHEET NO.
209332			F 4 of 4

SPECIAL BOLTS					
ROOF PLAN					
ID	QUAN	TYPE	DIA	LENGTH	WASH
1	4	A307	1/2"	1 1/4"	0

MEMBER TABLE	
ROOF PLAN	
MARK	PART
P-1	8X25Z12
P-2	8X25Z14
P-3	8X25Z12
P-4	8X25Z12
P-5	8X25Z12
P-6	8X25Z12
P-7	8X25Z16
P-8	W08842
P-9	W08842
ST-1	P6X188
E-1	8E14
E-2	8E14
E-3	8E14
E-4	8E14
E-5	8E14
RD-3	RD1000
RD-4	RD0625
RD-5	RD0500
RD-6	RD0500
SP-1	BRZ-1
SI-1	BRZ-1
SI-2	BRZ-1
SI-3	BRZ-1
SE-1	BRZ-1
SE-2	BRZ-1
SSL-10	SSL-10

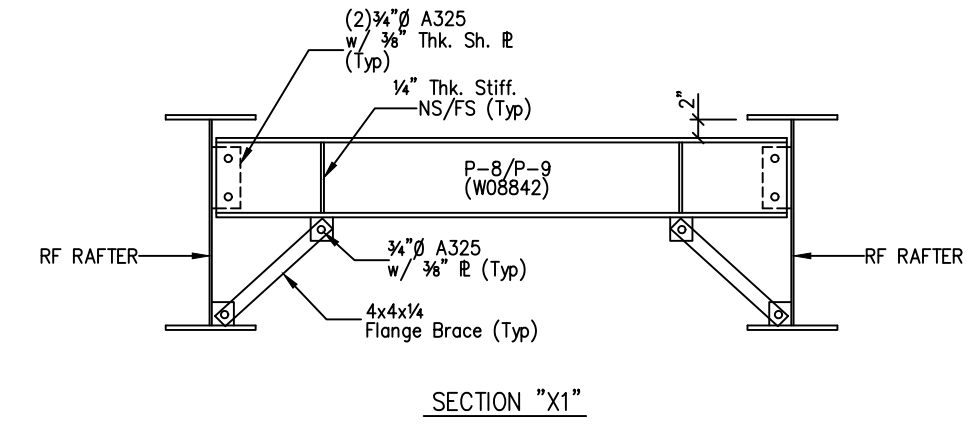
CONNECTION PLATES	
ROOF PLAN	
ID	MARK/PART
1	CL-18



\* = BIG ASS FAN (DN# 33)  
 TO BE EQUALLY SPACED BETWEEN  
 TWO CONSECUTIVE PURLINS.  
 UNI-STRUT/SUPPORT (IF NEEDED)  
 BY OTHERS.

NP = NEST 8X25Z16 TO MAIN PURLIN  
 TO SUPPORT BIG ASS FAN.

PIPE STRUT CONN.:  
 (3) 3/8" A325  
 w/ 3/8" Thk. Sh. P



ROOF FRAMING PLAN  
 BLDG. "A"

ERECTOR NOTES:  
 1) Roof bridging equally spaced in bays (As Shown).  
 2) Do not attach roof panel to purlin struts (if Required) with clip.  
 3) Quad-Lok seam is required.

GENERAL NOTES:  
 ZEES HAVE UNEQUAL FLANGES FOR EASIER INSTALLATION. THE LARGER FLANGE IS 1/4" WIDER THAN THE SMALL FLANGE. LAP THE SMALL FLANGE INSIDE THE LARGE FLANGE.

DRAWING STATUS	
<input type="checkbox"/>	FOR APPROVAL: THESE DRAWINGS, BEING FOR APPROVAL, ARE BY DEFINITION NOT FINAL, AND ARE FOR CONCEPTUAL REPRESENTATION ONLY. THEIR PURPOSE IS TO CONFIRM PROPER INTERPRETATION OF THE PROJECT DOCUMENTS. ONLY DRAWINGS ISSUED "FOR CONSTRUCTION" CAN BE CONSIDERED AS COMPLETE.
<input checked="" type="checkbox"/>	FOR PERMIT: THESE DRAWINGS, BEING FOR PERMIT, ARE BY DEFINITION NOT FINAL IN THAT, AS A MINIMUM, PIECE MARKINGS ARE NOT IDENTIFIED. ONLY DRAWINGS ISSUED "FOR CONSTRUCTION" CAN BE CONSIDERED AS COMPLETE.
<input type="checkbox"/>	FOR CONSTRUCTION: FINAL DRAWINGS.

REVISIONS			
NO.	DATE	DESCRIPTION	BY CK'D
A	10/14/25	FOR PERMIT	ECD RICH

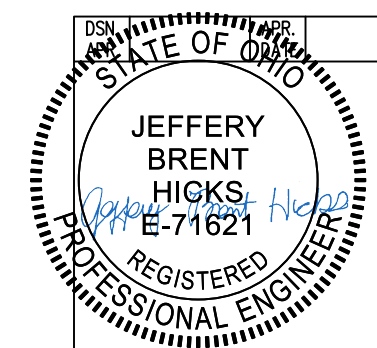
**SCHULTE BUILDING SYSTEMS**  
 17600 Badtke Road - Hockley, Texas 77447  
 PHONE: 281.304.6111 877.257.2534  
 FAX: 281.304.6113  
 www.SchulteBuildingSystems.com

DESCRIPTION: ROOF FRAMING PLAN SIZE: REFER TO C1

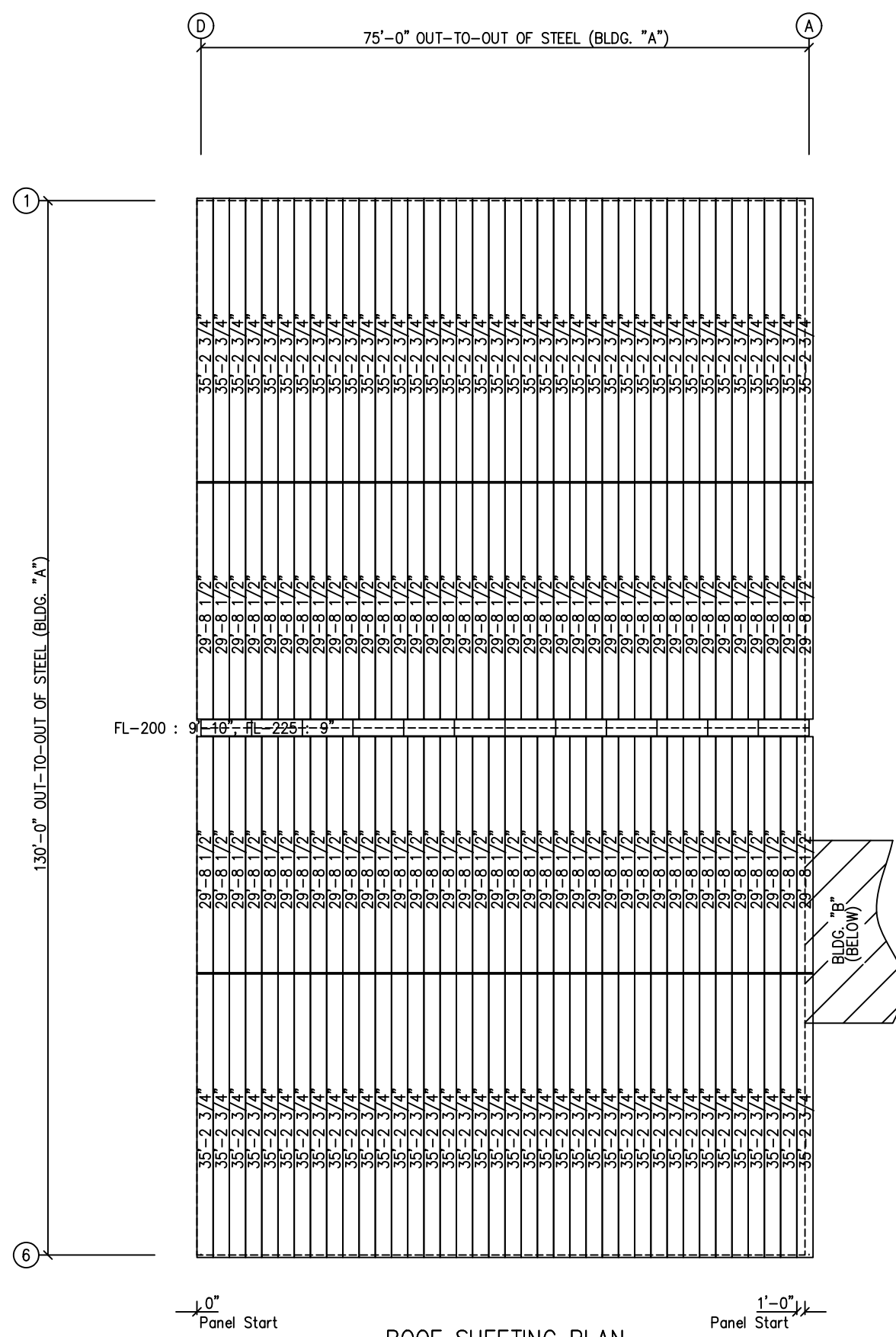
TOWER OR PROJECT: WB Building CUSTOMER: STEVENS CONSTRUCTION CO INC

JOB SITE LOCATION: 621 BUCKEYE ST ADDRESS: 2181 INNOVATION DRIVE, SUITE 101  
 MARION, OH 43302-6121 MARION, OH 43302

CAD BY: ECD ENGRD BY: JEM DATE: 10/6/25 SCALE: N.T.S. JOB NO.: 209332 PH: BLDG. DESC.: SHEET NO.: E1 of 22







Panel Start

Panel Start

**ROOF SHEETING PLAN**

PANELS: 24 Ga. TS-324 - Galvalume

**QUAD-LOK SEAM IS REQUIRED**

BLDG. "A"

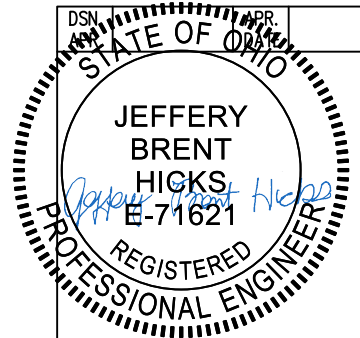
DRAWING STATUS	
<input type="checkbox"/>	FOR APPROVAL: THESE DRAWINGS, BEING FOR APPROVAL, ARE BY DEFINITION NOT FINAL, AND ARE FOR CONCEPTUAL REPRESENTATION ONLY. THEIR PURPOSE IS TO CONFIRM PROPER INTERPRETATION OF THE PROJECT DOCUMENTS. ONLY DRAWINGS ISSUED "FOR CONSTRUCTION" CAN BE CONSIDERED AS COMPLETE.
<input checked="" type="checkbox"/>	FOR PERMIT: THESE DRAWINGS, BEING FOR PERMIT, ARE BY DEFINITION NOT FINAL IN THAT, AS A MINIMUM, PIECE MARKINGS ARE NOT IDENTIFIED. ONLY DRAWINGS ISSUED "FOR CONSTRUCTION" CAN BE CONSIDERED AS COMPLETE.
<input type="checkbox"/>	FOR CONSTRUCTION: FINAL DRAWINGS.

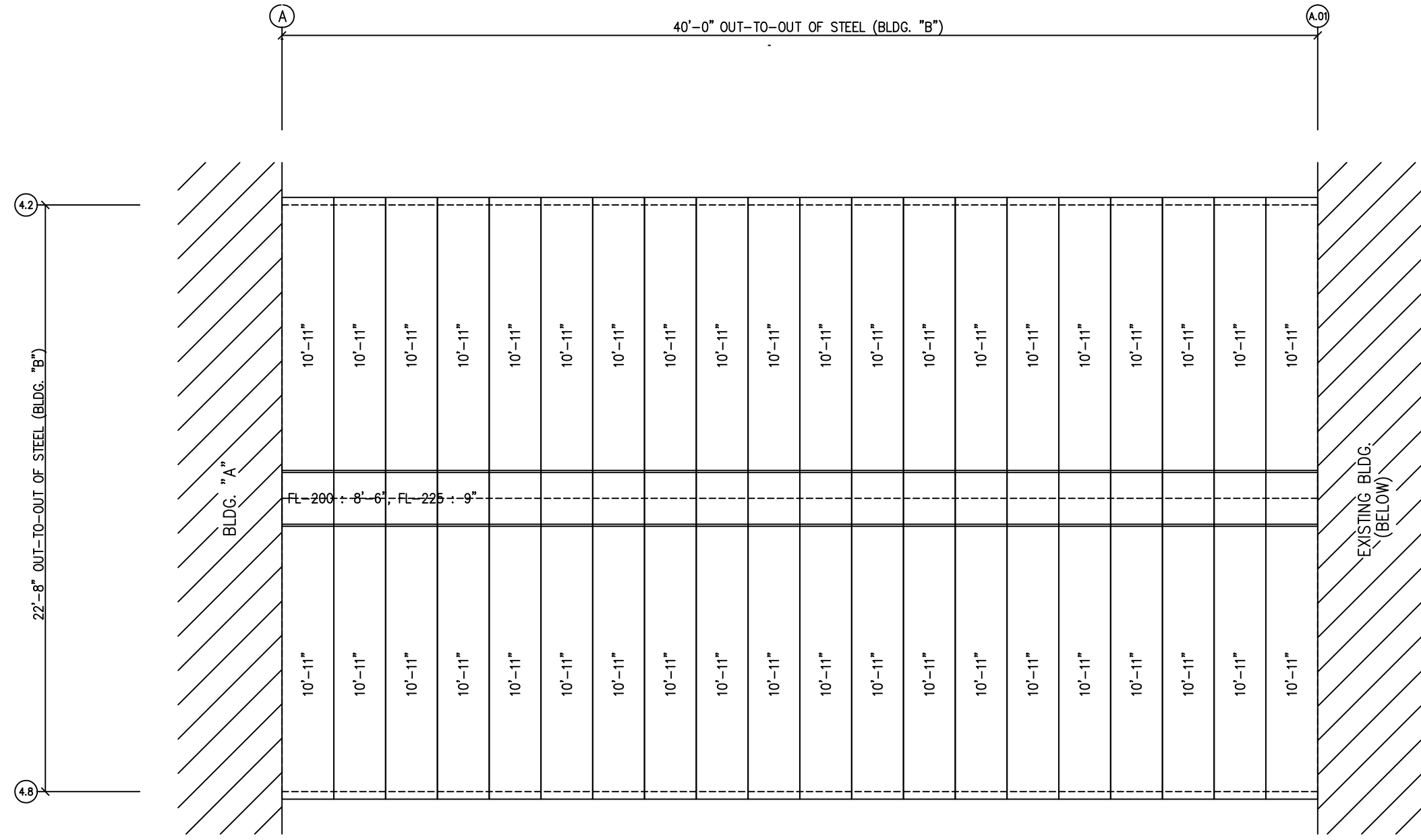
REVISIONS			
NO.	DATE	DESCRIPTION	BY
A	10/14/25	FOR PERMIT	ECD

**SCHULTE BUILDING SYSTEMS**  
 17600 Badtke Road - Hockley, Texas 77447  
 PHONE: 281.304.6111 877.257.2534  
 FAX: 281.304.6113  
 www.SchulteBuildingSystems.com

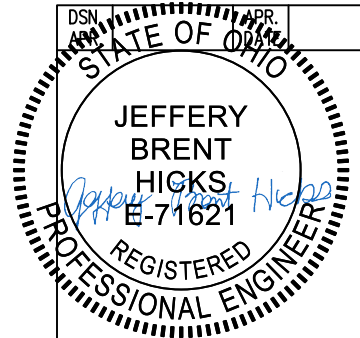
**SBS**  
 SCHULTE BUILDING SYSTEMS

DESCRIPTION	ROOF SHEETING PLAN	SIZE	REFER TO C1
TOWER OR PROJECT	WB Building	CUSTOMER	STEVENS CONSTRUCTION CO INC
JOB SITE LOCATION	621 BUCKEYE ST MARION, OH 43302-6121	ADDRESS	2181 INNOVATION DRIVE, SUITE 101 MARION, OH 43302
CAD BY	ECD	ENGRD BY	JEM
DATE	10/6/25	SCALE	N.T.S.
JOB NO.	209332	PH	BLDG. DESC.
SHEET NO.	E3 of 22	ISSUE	A





ROOF SHEETING PLAN  
 PANELS: 24 Ga. TS-324 - Galvalume  
 QUAD-LOK SEAM IS REQUIRED  
 BLDG. "B"



DRAWING STATUS	
<input type="checkbox"/>	FOR APPROVAL: THESE DRAWINGS, BEING FOR APPROVAL, ARE BY DEFINITION NOT FINAL, AND ARE FOR CONCEPTUAL REPRESENTATION ONLY. THEIR PURPOSE IS TO CONFIRM PROPER INTERPRETATION OF THE PROJECT DOCUMENTS. ONLY DRAWINGS ISSUED "FOR CONSTRUCTION" CAN BE CONSIDERED AS COMPLETE.
<input checked="" type="checkbox"/>	FOR PERMIT: THESE DRAWINGS, BEING FOR PERMIT, ARE BY DEFINITION NOT FINAL IN THAT, AS A MINIMUM, PIECE MARKINGS ARE NOT IDENTIFIED. ONLY DRAWINGS ISSUED "FOR CONSTRUCTION" CAN BE CONSIDERED AS COMPLETE.
<input type="checkbox"/>	FOR CONSTRUCTION: FINAL DRAWINGS.

REVISIONS			
NO.	DATE	DESCRIPTION	BY
A	10/14/25	FOR PERMIT	ECD RICH

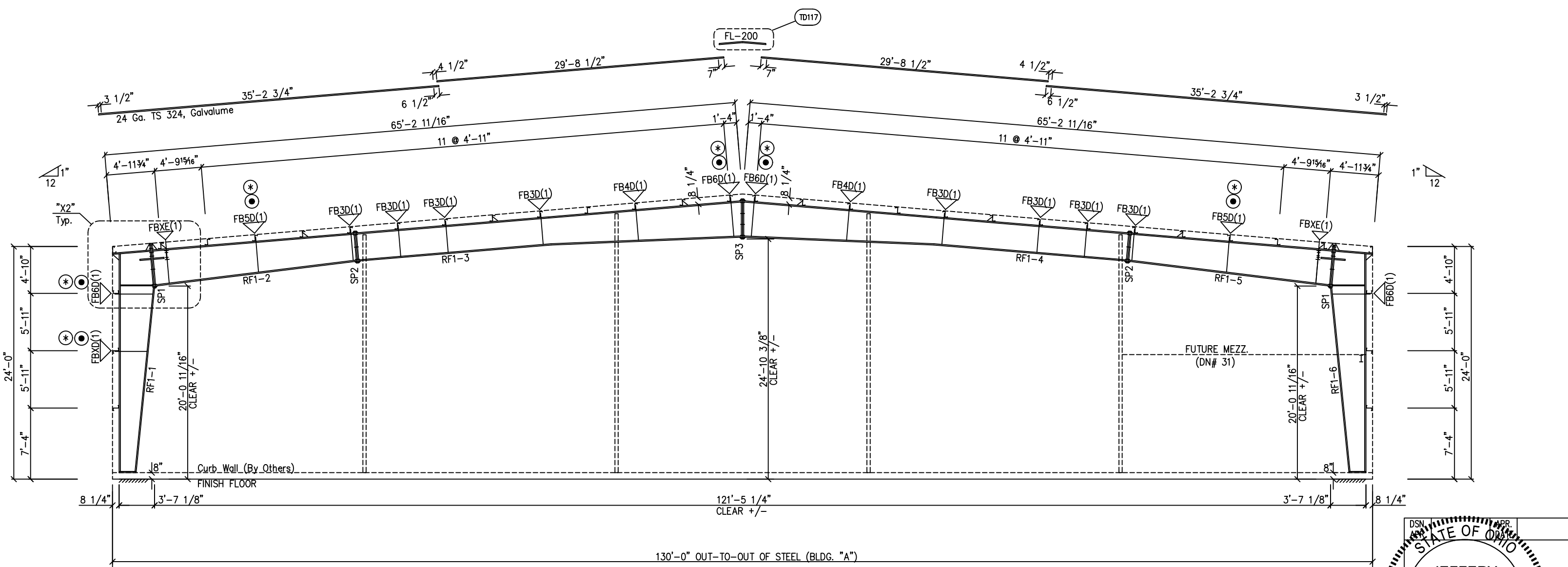
<b>SBS</b> SCHULTE BUILDING SYSTEMS		<b>SCHULTE BUILDING SYSTEMS</b> 17600 Badtke Road - Hockley, Texas 77447 PHONE: 281.304.6111 877.257.2534 FAX: 281.304.6113 www.SchulteBuildingSystems.com	
DESCRIPTION	ROOF SHEETING PLAN	SIZE	REFER TO C1
TOWNER OR PROJECT	WB Building	CUSTOMER	STEVENS CONSTRUCTION CO INC
JOB SITE	621 BUCKEYE ST	ADDRESS	2181 INNOVATION DRIVE, SUITE 101
LOCATION	MARION, OH 43302-6121	MARION, OH 43302	
CAD BY	JEM	DATE	10/6/25
ENGR'D BY	JEM	SCALE	N.T.S.
ECD		JOB NO.	209332
		PH	BLDG. DESC.
		SHEET NO.	E4 of 22
		ISSUE	A

SPlice PLATE & BOLT TABLE									
Mark	Qty		Int	Type	Dia	Length	Width	Thick	Length
	Top	Bot							
SP1	8	4	2	A325	1 1/4"	3 1/2"	1'-0"	1"	4'-7 11/16"
SP2	4	4	2	A325	1"	2 1/4"	10"	1/2"	3'-3 7/16"
SP3	4	4	4	A325	1"	2 1/2"	10"	5/8"	4'-1 1/2"

MEMBER TABLE						
Mark	Web Depth		Web Plate		Outside Flange W x Thk x Length	Inside Flange W x Thk x Length
	Start/End	Thick	Length	Length		
RF1-1	18.0/42.0	0.250	227.7		12 x 1/2" x 271.3	12 x 5/8" x 228.9
	42.0/38.1	0.500	46.8		12 x 1/2" x 47.0	
RF1-2	42.0/33.0	0.250	228.1		10 x 1/2" x 144.1	10 x 3/4" x 144.2
	33.0/32.0	0.250	24.0		10 x 5/16" x 108.0	10 x 1/2" x 108.1
RF1-3	32.0/32.0	0.188	240.0		10 x 5/16" x 480.0	10 x 5/16" x 240.0
	32.0/42.0	0.250	240.0		10 x 5/16" x 236.7	10 x 5/16" x 236.7
RF1-4	42.0/32.0	0.250	240.0		10 x 3/8" x 480.0	10 x 5/16" x 236.7
	32.0/32.0	0.188	240.0		10 x 5/16" x 240.0	10 x 5/16" x 240.0
RF1-5	32.0/33.0	0.250	24.0		10 x 5/16" x 108.0	10 x 1/2" x 108.1
	33.0/42.0	0.250	228.1		10 x 1/2" x 144.1	10 x 3/4" x 144.2
RF1-6	38.1/42.0	0.500	46.8		12 x 1/2" x 47.0	12 x 5/8" x 228.9
	42.0/18.0	0.250	227.7		12 x 1/2" x 271.3	

FLANGE BRACES: FBxx (1 or 2)  
 xx=length(in)  
 (1) One Side; (2) Two Sides  
 D - 3X3X316 (See SD163A)  
 E - L4X4X1/4 (See Section "X1"/E1)

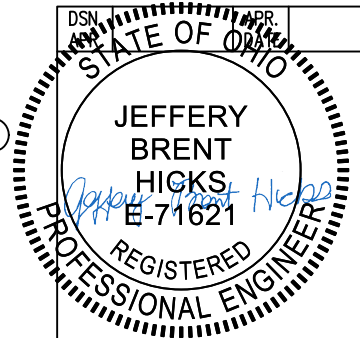
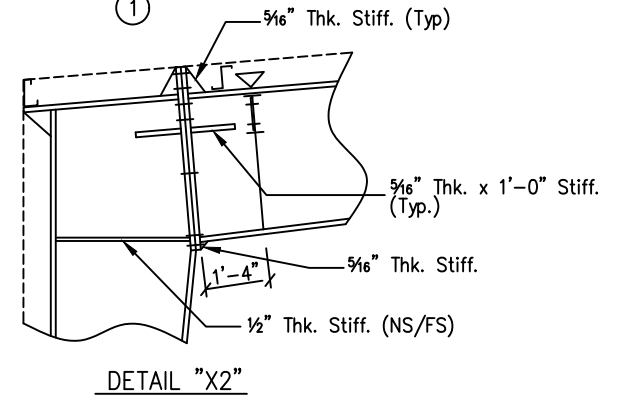
ERECTION NOTES:  
 KNIFE PLATE/BRACE CLIP SHOULD BE  
 INSTALLED FIRST, THEN THE SIMPLE  
 SAVER INSULATION/LINER.



MAIN FRAME ELEVATION: FRAME LINE D  
 BLDG. "A"

The framing as shown at this elevation is designed to receive a future bay addition of 25'-0".

- NOTES:
- = IF FUTURE BAY TO BE ADDED, ADD FLANGE BRACE AT THE OPPOSITE SIDE.
  - \* = SPECIAL FLANGE BRACE CLIP W/ (5) 1/2" A325 BOLTS W/ KNIFE PLATE (SEE SD163B)



DRAWING STATUS	
<input type="checkbox"/>	FOR APPROVAL: THESE DRAWINGS, BEING FOR APPROVAL, ARE BY DEFINITION NOT FINAL, AND ARE FOR CONCEPTUAL REPRESENTATION ONLY. THEIR PURPOSE IS TO CONFIRM PROPER INTERPRETATION OF THE PROJECT DOCUMENTS. ONLY DRAWINGS ISSUED "FOR CONSTRUCTION" CAN BE CONSIDERED AS COMPLETE.
<input checked="" type="checkbox"/>	FOR PERMIT: THESE DRAWINGS, BEING FOR PERMIT, ARE BY DEFINITION NOT FINAL IN THAT, AS A MINIMUM, PIECE MARKINGS ARE NOT IDENTIFIED. ONLY DRAWINGS ISSUED "FOR CONSTRUCTION" CAN BE CONSIDERED AS COMPLETE.
<input type="checkbox"/>	FOR CONSTRUCTION: FINAL DRAWINGS.

REVISIONS				
NO.	DATE	DESCRIPTION	BY	CK'D
A	10/14/25	FOR PERMIT	ECD	RICH

SCHULTE BUILDING SYSTEMS			
17600 Badtke Road - Hockley, Texas 77447		PHONE: 281.304.6111 877.257.2534	
FAX: 281.304.6113		www.SchulteBuildingSystems.com	
DESCRIPTION CROSS SECTION		SIZE	REFER TO C1
TOWER OR PROJECT	WB Building	CUSTOMER	STEVENS CONSTRUCTION CO INC
JOB SITE LOCATION	621 BUCKEYE ST MARION, OH 43302-6121	ADDRESS	2181 INNOVATION DRIVE, SUITE 101 MARION, OH 43302
CAD BY	ENGR'D BY	DATE	SCALE
ECD	JEM	10/6/25	N.T.S.
JOB NO.	PH	BLDG. DESC.	SHEET NO.
209332			E5 of 22

GENERAL NOTES:  
 SEE ROOF FRAMING PLAN AND SIDEWALL ELEVATIONS FOR MAIN FRAME PIECE MARKS.

**SPLICE PLATE & BOLT TABLE**

Mark	Qty	Top	Bot	Int	Type	Dia	Length	Width	Thick	Length
SP1	8	4	2	A325	1 1/4"	3 1/2"	1'-0"	1"	4'-7 11/16"	
SP2	4	4	2	A325	1"	2 1/4"	10"	1/2"	3'-3 7/16"	
SP3	4	4	4	A325	1"	2 1/2"	10"	5/8"	4'-1 1/2"	

**MEMBER TABLE**

Mark	Web Depth		Web Plate		Outside Flange		Inside Flange	
	Start/End	Thick	Length	W x Thk x Length	W x Thk x Length			
RF2-1	18.0/42.0	0.250	227.7	12 x 1/2" x 271.3	12 x 5/8" x 228.9			
	42.0/38.1	0.500	46.8	12 x 1/2" x 47.0				
RF2-2	42.0/33.0	0.250	228.1	10 x 1/2" x 144.1	10 x 3/4" x 144.2			
	33.0/32.0	0.250	24.0	10 x 5/16" x 108.0	10 x 1/2" x 108.1			
RF2-3	32.0/32.0	0.188	240.0	10 x 3/8" x 480.0	10 x 5/16" x 240.0			
	32.0/42.0	0.250	240.0		10 x 5/16" x 236.7			
RF2-4	32.0/33.0	0.250	24.0	10 x 5/16" x 108.0	10 x 1/2" x 108.1			
	33.0/42.0	0.250	228.1	10 x 1/2" x 144.1	10 x 3/4" x 144.2			
RF2-5	38.1/42.0	0.500	46.8	12 x 1/2" x 47.0	12 x 5/8" x 228.9			
	42.0/18.0	0.250	227.7	12 x 1/2" x 271.3				

FLANGE BRACES: FBxx (1 or 2)

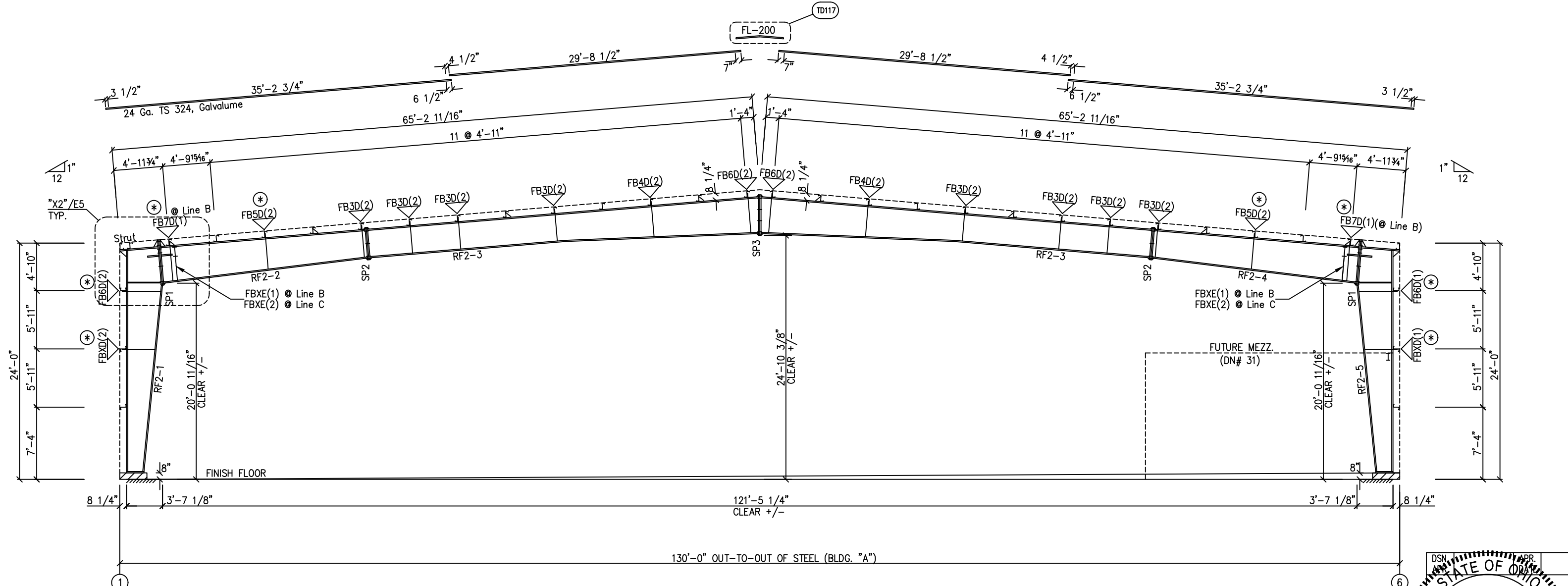
xx=length(in)

(1) One Side; (2) Two Sides

D - 3X3X3/16 (See SD163A)

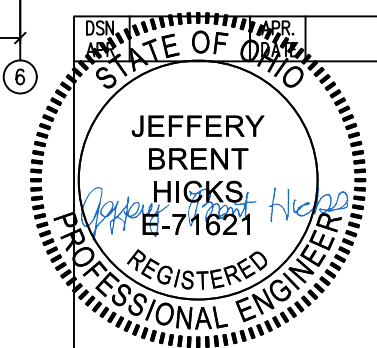
E - L4X4X1/4 (See Section "X1"/E1)

ERECTION NOTES:  
KNIFE PLATE/BRACE CLIP SHOULD BE INSTALLED FIRST, THEN THE SIMPLE SAVER INSULATION/LINER.



MAIN FRAME ELEVATION: FRAME LINE C B  
BLDG. "A"

(\*) = SPECIAL FLANGE BRACE CLIP W/ (5)1/2"Ø A325 BOLTS W/ KNIFE PLATE (SEE SD163B)



GENERAL NOTES:  
SEE ROOF FRAMING PLAN AND SIDEWALL ELEVATIONS FOR MAIN FRAME PIECE MARKS.

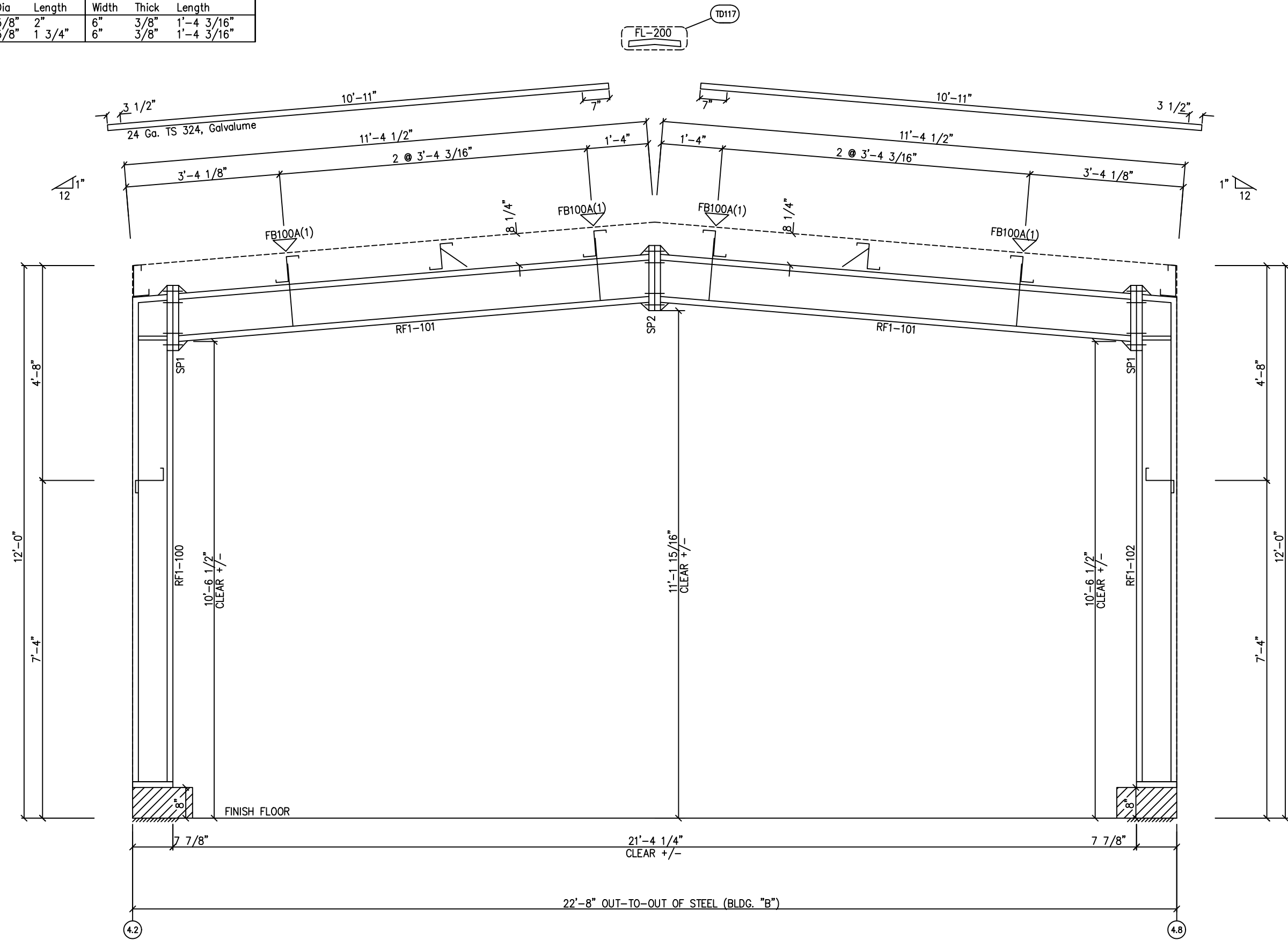
DRAWING STATUS		REVISIONS				
<input type="checkbox"/>	FOR APPROVAL: THESE DRAWINGS, BEING FOR APPROVAL, ARE BY DEFINITION NOT FINAL, AND ARE FOR CONCEPTUAL REPRESENTATION ONLY. THEIR PURPOSE IS TO CONFIRM PROPER INTERPRETATION OF THE PROJECT DOCUMENTS. ONLY DRAWINGS ISSUED "FOR CONSTRUCTION" CAN BE CONSIDERED AS COMPLETE.	NO.	DATE	DESCRIPTION	BY	CK'D
<input checked="" type="checkbox"/>	FOR PERMIT: THESE DRAWINGS, BEING FOR PERMIT, ARE BY DEFINITION NOT FINAL IN THAT, AS A MINIMUM, PIECE MARKINGS ARE NOT IDENTIFIED. ONLY DRAWINGS ISSUED "FOR CONSTRUCTION" CAN BE CONSIDERED AS COMPLETE.	A	10/14/25	FOR PERMIT	ECD	RICH
<input type="checkbox"/>	FOR CONSTRUCTION: FINAL DRAWINGS.					

<b>SCHULTE BUILDING SYSTEMS</b> 17600 Badtke Road - Hockley, Texas 77447 PHONE: 281.304.6111 877.257.2534 FAX: 281.304.6113 www.SchulteBuildingSystems.com	
DESCRIPTION CROSS SECTION	SIZE REFER TO C1
TOWER OR PROJECT	WB Building
CUSTOMER	STEVENS CONSTRUCTION CO INC
JOB SITE	621 BUCKEYE ST
ADDRESS	2181 INNOVATION DRIVE, SUITE 101
LOCATION	MARION, OH 43302-6121
	MARION, OH 43302
CAD BY	DATE
ENGRD BY	SCALE
JEM	10/6/25 N.T.S.
JOB NO.	PH BLDG. DESC.
209332	
SHEET NO.	ISSUE
E6 of 22	A

SPLICE PLATE & BOLT TABLE										
Mark	Qty	Top	Bot	Int	Type	Dia	Length	Width	Thick	Length
SP1	4	4	0	A325	5/8"	2"		6"	3/8"	1'-4 3/16"
SP2	4	4	0	A325	5/8"	1 3/4"		6"	3/8"	1'-4 3/16"

MEMBER SIZE TABLE		
MARK	MEMBER	LENGTH
RF1-100	W8X10	10'-7 3/4"
RF1-101	W10X12	10'-8 3/16"
RF1-102	W8X10	10'-7 3/4"

FLANGE BRACES: FBxx (1 or 2)  
 xx=length(in)  
 (1) One Side; (2) Two Sides  
 A - 2X2X14Ga



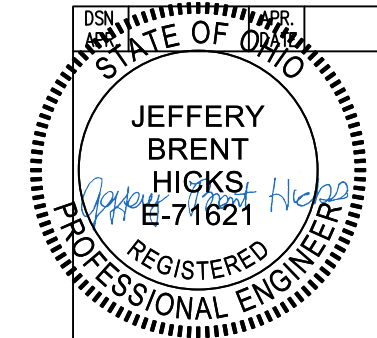
MAIN FRAME ELEVATION: FRAME LINE A.09  
 BLDG. "B"

ERECTION NOTES:  
 KNIFE PLATE/BRACE CLIP SHOULD BE  
 INSTALLED FIRST, THEN THE SIMPLE  
 SAVER INSULATION/LINER.

DN19  
 The framing as shown at this elevation is not designed for  
 future expansion. Corresponding frame reactions are  
 calculated based upon actual tributary area.

DRAWING STATUS	
<input type="checkbox"/> FOR APPROVAL:	THESE DRAWINGS, BEING FOR APPROVAL, ARE BY DEFINITION NOT FINAL AND ARE FOR CONCEPTUAL REPRESENTATION ONLY. THEIR PURPOSE IS TO CONFIRM PROPER INTERPRETATION OF THE PROJECT DOCUMENTS. ONLY DRAWINGS ISSUED "FOR CONSTRUCTION" CAN BE CONSIDERED AS COMPLETE.
<input checked="" type="checkbox"/> FOR PERMIT:	THESE DRAWINGS, BEING FOR PERMIT, ARE BY DEFINITION NOT FINAL IN THAT, AS A MINIMUM, PIECE MARKINGS ARE NOT IDENTIFIED. ONLY DRAWINGS ISSUED "FOR CONSTRUCTION" CAN BE CONSIDERED AS COMPLETE.
<input type="checkbox"/> FOR CONSTRUCTION:	FINAL DRAWINGS.

REVISIONS			
NO.	DATE	DESCRIPTION	BY
A	10/14/25	FOR PERMIT	ECD



GENERAL NOTES:  
 SEE ROOF FRAMING PLAN AND SIDEWALL ELEVATIONS FOR MAIN FRAME PIECE MARKS.

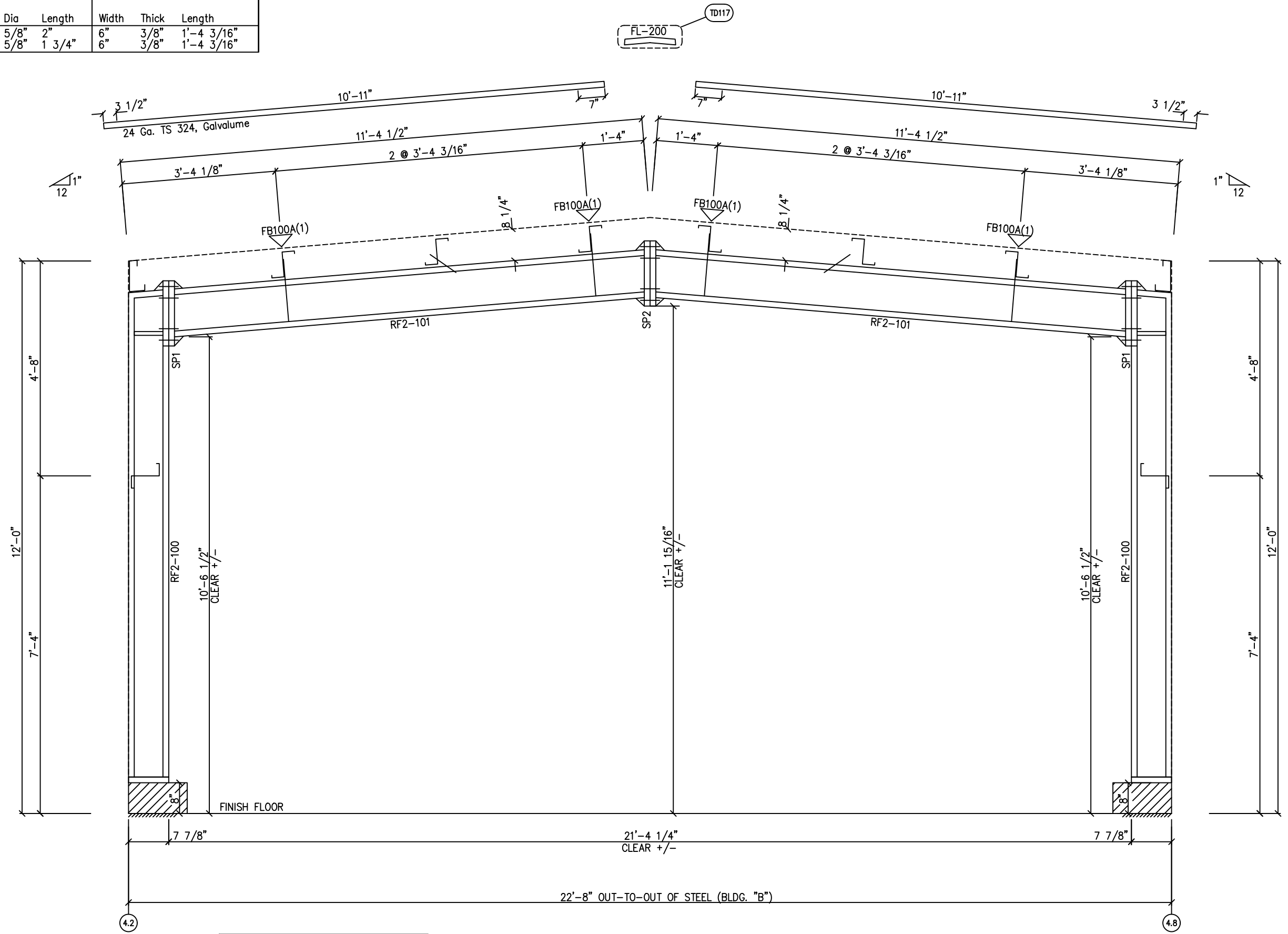
**SCHULTE BUILDING SYSTEMS**  
 17600 Badtke Road - Hockley, Texas 77447  
 PHONE: 281.304.6111 877.257.2534  
 FAX: 281.304.6113  
 www.SchulteBuildingSystems.com

DESCRIPTION	CROSS SECTION	SIZE	REFER TO C1
TOWER OR PROJECT	WB Building	CUSTOMER	STEVENS CONSTRUCTION CO INC
JOB SITE	621 BUCKEYE ST	ADDRESS	2181 INNOVATION DRIVE, SUITE 10
LOCATION	MARION, OH 43302-6121	LOCATION	MARION, OH 43302
CAD BY	ENGRD BY	DATE	SCALE
ECD	JEM	10/6/25	N.T.S.
JOB NO.	PH	BLDG. DESC.	SHEET NO.
209332			E7 of 22

SPlice PLATE & BOLT TABLE									
Mark	Qty Top	Qty Bot	Int	Type	Dia	Length	Width	Thick	Length
SP1	4	4	0	A325	5/8"	2"	6"	3/8"	1'-4 3/16"
SP2	4	4	0	A325	5/8"	1 3/4"	6"	3/8"	1'-4 3/16"

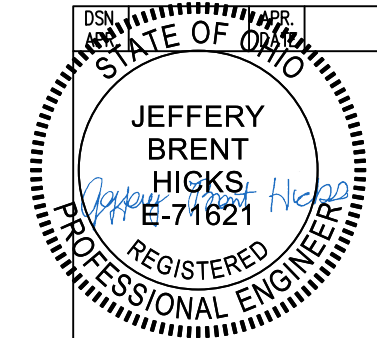
MEMBER SIZE TABLE		
MARK	MEMBER	LENGTH
RF2-100	W8X10	10'-7 3/4"
RF2-101	W10X12	10'-8 3/16"

FLANGE BRACES: FBxx (1 or 2)  
 xx=length(in)  
 (1) One Side; (2) Two Sides  
 A - 2X2X14Ga



ERECTION NOTES:  
 KNIFE PLATE/BRACE CLIP SHOULD BE  
 INSTALLED FIRST, THEN THE SIMPLE  
 SAVER INSULATION/LINER.

MAIN FRAME ELEVATION: FRAME LINE A.05  
 BLDG. "B"



GENERAL NOTES:  
 SEE ROOF FRAMING PLAN AND SIDEWALL ELEVATIONS FOR MAIN FRAME PIECE MARKS.

DRAWING STATUS	
<input type="checkbox"/>	FOR APPROVAL: THESE DRAWINGS, BEING FOR APPROVAL, ARE BY DEFINITION NOT FINAL AND ARE FOR CONCEPTUAL REPRESENTATION ONLY. THEIR PURPOSE IS TO CONFIRM PROPER INTERPRETATION OF THE PROJECT DOCUMENTS. ONLY DRAWINGS ISSUED "FOR CONSTRUCTION" CAN BE CONSIDERED AS COMPLETE.
<input checked="" type="checkbox"/>	FOR PERMIT: THESE DRAWINGS, BEING FOR PERMIT, ARE BY DEFINITION NOT FINAL IN THAT, AS A MINIMUM, PIECE MARKINGS ARE NOT IDENTIFIED. ONLY DRAWINGS ISSUED "FOR CONSTRUCTION" CAN BE CONSIDERED AS COMPLETE.
<input type="checkbox"/>	FOR CONSTRUCTION: FINAL DRAWINGS.

REVISIONS			
NO.	DATE	DESCRIPTION	BY
A	10/14/25	FOR PERMIT	ECD

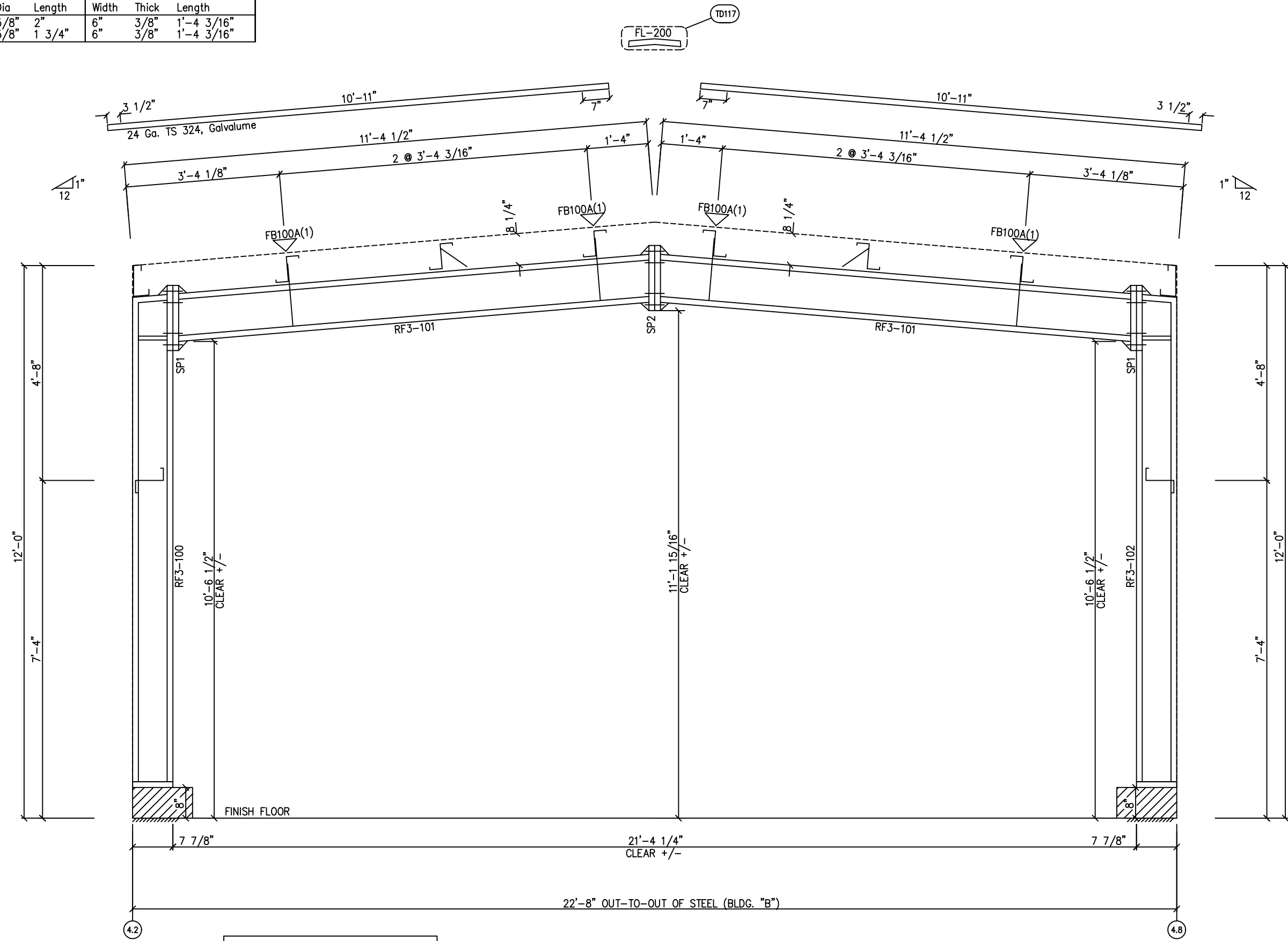
**SCHULTE BUILDING SYSTEMS**  
 17600 Badtke Road - Hockley, Texas 77447  
 PHONE: 281.304.6111 877.257.2534  
 FAX: 281.304.6113  
 www.SchulteBuildingSystems.com

DESCRIPTION	CROSS SECTION	SIZE	REFER TO C1
TOWER OR PROJECT	WB Building	CUSTOMER	STEVENS CONSTRUCTION CO INC
JOB SITE LOCATION	621 BUCKEYE ST	ADDRESS	2181 INNOVATION DRIVE, SUITE 10
	MARION, OH 43302-6121		MARION, OH 43302
CAD BY	ENGRD BY	DATE	SCALE
ECD	JEM	10/6/25	N.T.S.
JOB NO.	209332	PH	BLDG. DESC.
SHEET NO.	E8 of 22	ISSUE	A

SPlice PLATE & BOLT TABLE										
Mark	Qty	Top	Bot	Int	Type	Dia	Length	Width	Thick	Length
SP1	4	4	0		A325	5/8"	2"	6"	3/8"	1'-4 3/16"
SP2	4	4	0		A325	5/8"	1 3/4"	6"	3/8"	1'-4 3/16"

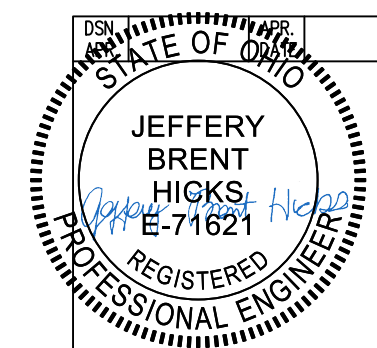
MEMBER SIZE TABLE		
MARK	MEMBER	LENGTH
RF3-100	W8X10	10'-7 3/4"
RF3-101	W10X12	10'-8 3/16"
RF3-102	W8X10	10'-7 3/4"

FLANGE BRACES: FBxx (1 or 2)  
 xx=length(in)  
 (1) One Side; (2) Two Sides  
 A - 2X2X14Ga



ERECTION NOTES:  
 KNIFE PLATE/BRACE CLIP SHOULD BE INSTALLED FIRST, THEN THE SIMPLE SAVER INSULATION/LINER.

MAIN FRAME ELEVATION: FRAME LINE A.01  
 BLDG. "B"



GENERAL NOTES:  
 SEE ROOF FRAMING PLAN AND SIDEWALL ELEVATIONS FOR MAIN FRAME PIECE MARKS.

DRAWING STATUS	
<input type="checkbox"/>	FOR APPROVAL: THESE DRAWINGS, BEING FOR APPROVAL, ARE BY DEFINITION NOT FINAL AND ARE FOR CONCEPTUAL REPRESENTATION ONLY. THEIR PURPOSE IS TO CONFIRM PROPER INTERPRETATION OF THE PROJECT DOCUMENTS. ONLY DRAWINGS ISSUED "FOR CONSTRUCTION" CAN BE CONSIDERED AS COMPLETE.
<input checked="" type="checkbox"/>	FOR PERMIT: THESE DRAWINGS, BEING FOR PERMIT, ARE BY DEFINITION NOT FINAL IN THAT, AS A MINIMUM, PIECE MARKINGS ARE NOT IDENTIFIED. ONLY DRAWINGS ISSUED "FOR CONSTRUCTION" CAN BE CONSIDERED AS COMPLETE.
<input type="checkbox"/>	FOR CONSTRUCTION: FINAL DRAWINGS.

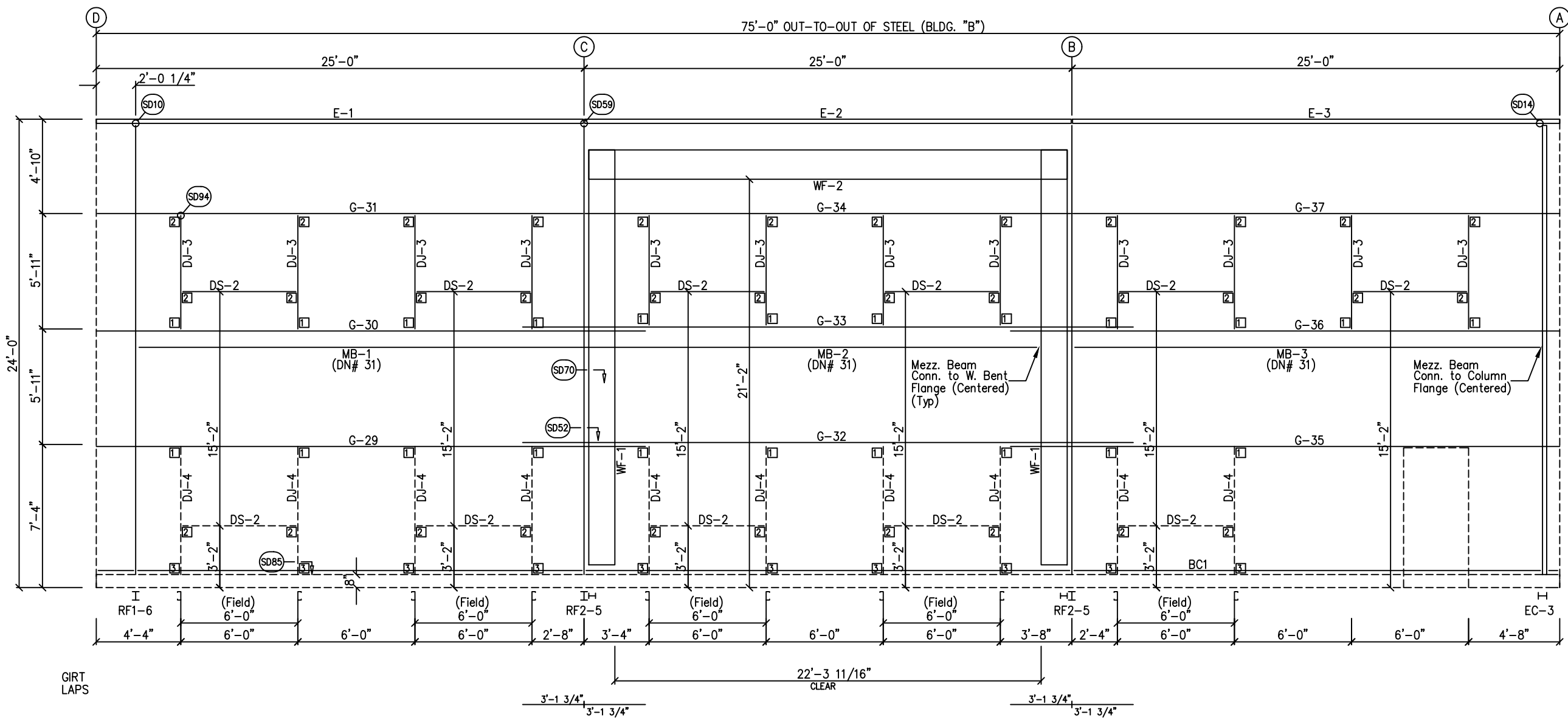
REVISIONS			
NO.	DATE	DESCRIPTION	BY
A	10/14/25	FOR PERMIT	ECD

<b>SBS</b> SCHULTE BUILDING SYSTEMS		<b>SCHULTE BUILDING SYSTEMS</b> 17600 Badtke Road - Hockley, Texas 77447 PHONE: 281.304.6111 877.257.2534 FAX: 281.304.6113 www.SchulteBuildingSystems.com	
DESCRIPTION	CROSS SECTION	SIZE	REFER TO C1
TOWER OR PROJECT	WB Building	CUSTOMER	STEVENS CONSTRUCTION CO INC
JOB SITE LOCATION	621 BUCKEYE ST MARION, OH 43302-6121	ADDRESS	2181 INNOVATION DRIVE, SUITE 10 MARION, OH 43302
CAD BY	ENGRD BY	DATE	SCALE
ECD	JEM	10/6/25	N.T.S.
JOB NO.	209332	PH	BLDG. DESC.
SHEET NO.	E9 of 22	ISSUE	A

BOLT TABLE				
FRAME LINE 6				
LOCATION	QUAN	TYPE	DIA	LENGTH
WF-1 - WF-2	8	A325	3/4"	2 1/4"
WF-1 - RF2-5	12	A325	5/8"	1 1/2"

MEMBER TABLE	
FRAME LINE 6	
MARK	PART
WF-1	W16051
WF-2	W18851
DJ-3	8X35C16
DJ-4	8X35C16
DS-2	8X25C16
E-1	8E14
E-2	8E14
E-3	8E14
G-29	8X25Z12
G-30	8X25Z12
G-31	8X35C12
G-32	8X25Z12
G-33	8X25Z12
G-34	8X35C12
G-35	8X25Z14
G-36	8X25Z14
G-37	8X35C12
MB-1	W18X35
MB-2	W18X35
MB-3	W18X35

CONNECTION PLATES	
FRAME LINE 6	
ID	MARK/PART
1	CL-103
2	CL-100
3	CL-104

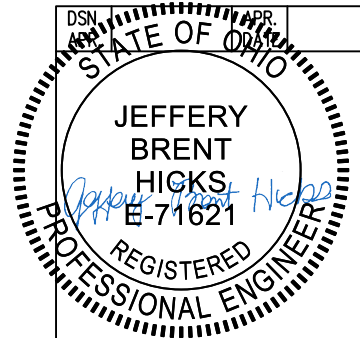


12'-0"

NOTES:  
END CONN. OF MEZZ. BEAMS (W18X35)  
(5) 3/4" A325 w/ 3/8" THK. SHEAR PL

SIDEWALL FRAMING: FRAME LINE 6  
BLDG. "A"

ERECTION NOTES:  
KNIFE PLATE/BRACE CLIP SHOULD BE  
INSTALLED FIRST, THEN THE SIMPLE  
SAVER INSULATION/LINER.



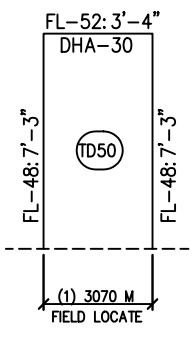
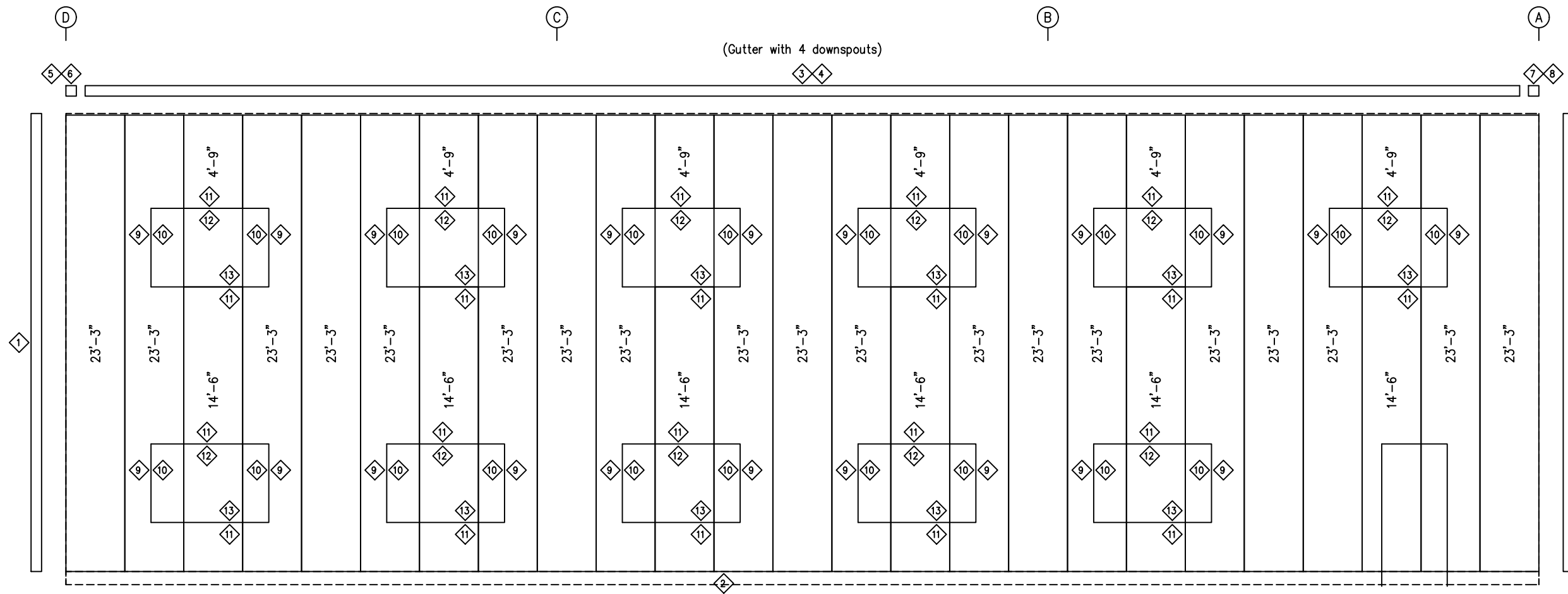
DRAWING STATUS	
<input type="checkbox"/>	FOR APPROVAL: THESE DRAWINGS, BEING FOR APPROVAL, ARE BY DEFINITION NOT FINAL AND ARE FOR CONCEPTUAL REPRESENTATION ONLY. THEIR PURPOSE IS TO CONFIRM PROPER INTERPRETATION OF THE PROJECT DOCUMENTS. ONLY DRAWINGS ISSUED "FOR CONSTRUCTION" CAN BE CONSIDERED AS COMPLETE.
<input checked="" type="checkbox"/>	FOR PERMIT: THESE DRAWINGS, BEING FOR PERMIT, ARE BY DEFINITION NOT FINAL IN THAT, AS A MINIMUM, PIECE MARKINGS ARE NOT IDENTIFIED. ONLY DRAWINGS ISSUED "FOR CONSTRUCTION" CAN BE CONSIDERED AS COMPLETE.
<input type="checkbox"/>	FOR CONSTRUCTION: FINAL DRAWINGS.

REVISIONS			
NO.	DATE	DESCRIPTION	BY
A	10/14/25	FOR PERMIT	ECD

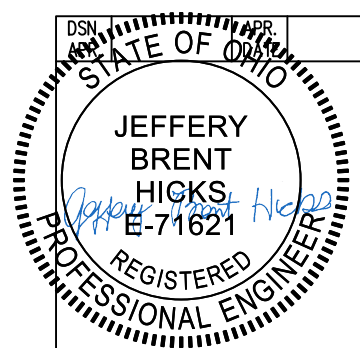
**SCHULTE BUILDING SYSTEMS**  
17600 Badtke Road - Hockley, Texas 77447  
PHONE: 281.304.6111 877.257.2534  
FAX: 281.304.6113  
www.SchulteBuildingSystems.com

DESCRIPTION	SIDEWALL ELEVATION	SIZE	REFER TO C1
TOWER OR PROJECT	WB Building	CUSTOMER	STEVENS CONSTRUCTION CO INC
JOB SITE	621 BUCKEYE ST	ADDRESS	2181 INNOVATION DRIVE, SUITE 10
LOCATION	MARION, OH 43302-6121	MARION, OH 43302	
CAD BY	JEM	DATE	10/6/25
ENGRD BY	JEM	SCALE	N.T.S.
ECD		JOB NO.	209332
		PH	BLDG. DESC.
		SHEET NO.	E10 of 22
		ISSUE	A

TRIM TABLE				
FRAME LINE 6				
ID	QUAN	PART	LENGTH	DETAIL
1	2	FL-110	11'-9"	TD40
2	4	FL-54	20'-2"	TD240
3	3	FL-171	18'-6"	TD632
4	4	FL-214	18'-11"	
5	1	FL-171L	11'-2"	
6	1	FL-169L	8"	
7	1	FL-171R	11'-2"	
8	1	FL-169R	8"	
9	1	FL-55	4'-4"	
10	1	FL-48	4'-3"	TD51
11	1	FL-55	6'-4"	
12	1	FL-52	6'-4"	TD52
13	1	FL-53	6'-4"	



**SIDEWALL SHEETING & TRIM: FRAME LINE 6**  
 PANELS: 26 Ga. PBR - Almond (Kynar)  
 BLDG. "A"



DRAWING STATUS	
<input type="checkbox"/>	FOR APPROVAL: THESE DRAWINGS, BEING FOR APPROVAL, ARE BY DEFINITION NOT FINAL AND ARE FOR CONCEPTUAL REPRESENTATION ONLY. THEIR PURPOSE IS TO CONFIRM PROPER INTERPRETATION OF THE PROJECT DOCUMENTS. ONLY DRAWINGS ISSUED "FOR CONSTRUCTION" CAN BE CONSIDERED AS COMPLETE.
<input checked="" type="checkbox"/>	FOR PERMIT: THESE DRAWINGS, BEING FOR PERMIT, ARE BY DEFINITION NOT FINAL IN THAT, AS A MINIMUM, PIECE MARKINGS ARE NOT IDENTIFIED. ONLY DRAWINGS ISSUED "FOR CONSTRUCTION" CAN BE CONSIDERED AS COMPLETE.
<input type="checkbox"/>	FOR CONSTRUCTION: FINAL DRAWINGS.

REVISIONS			
NO.	DATE	DESCRIPTION	BY
A	10/14/25	FOR PERMIT	ECD

**SCHULTE BUILDING SYSTEMS**  
 17600 Badtke Road - Hockley, Texas 77447  
 PHONE: 281.304.6111 877.257.2534  
 FAX: 281.304.6113  
 www.SchulteBuildingSystems.com

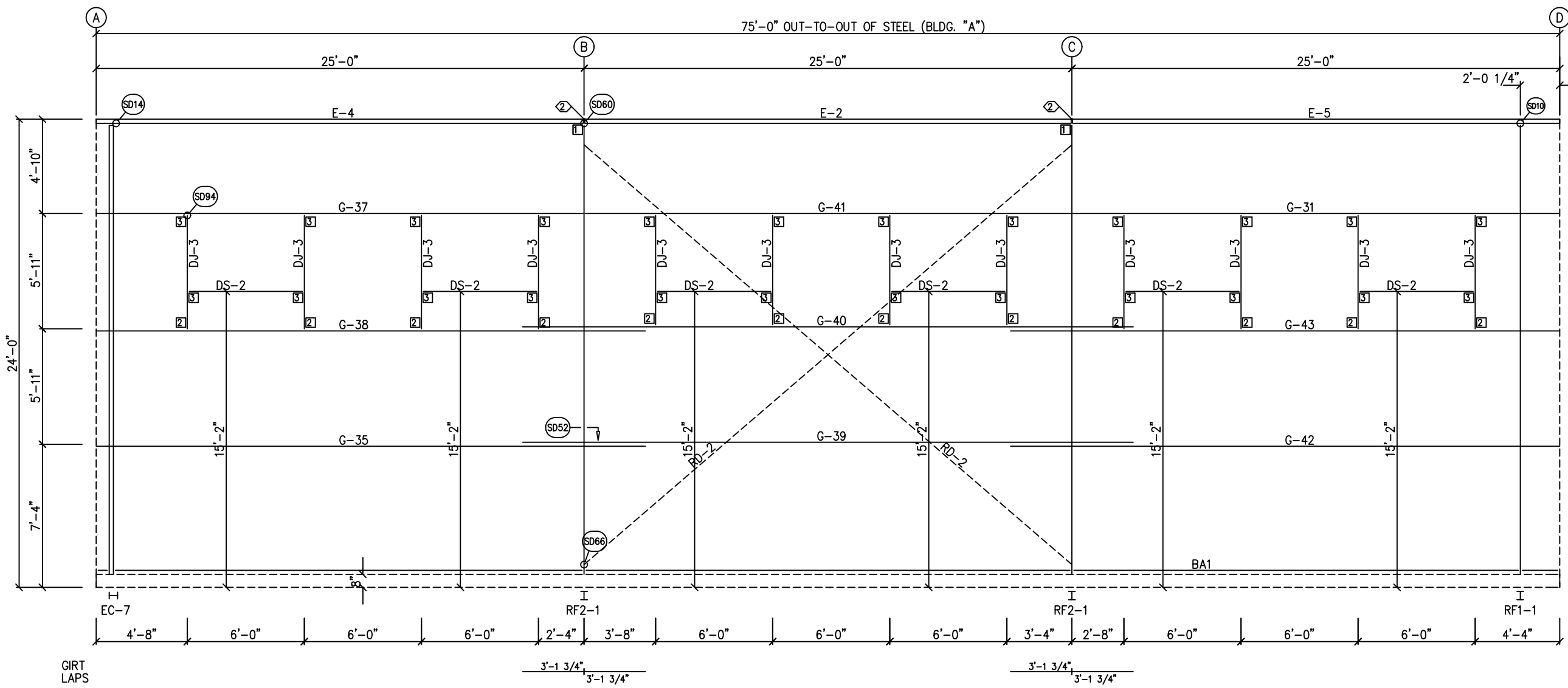
DESCRIPTION	SIDEWALL ELEVATION	SIZE	REFER TO C1
TOWER OR PROJECT	WB Building	CUSTOMER	STEVENS CONSTRUCTION CO INC
JOB SITE	621 BUCKEYE ST	ADDRESS	2181 INNOVATION DRIVE, SUITE 10
LOCATION	MARION, OH 43302-6121		MARION, OH 43302
CAD BY	JEM	DATE	10/6/25
ENGRD BY	JEM	SCALE	N.T.S.
ECD		JOB NO.	209332
		PH	BLDG. DESC.
		SHEET NO.	E11 of 22
		ISSUE	A

**GENERAL NOTES:**  
 TRIM IS FIGURED WITH 2" TRIM LAP UNLESS NOTED ON A DETAIL.  
 FIELD CUT PANELS AT FRAMED OPENINGS, WALKDOORS, AND WINDOWS.  
 FORMED BASE TRIM (IF USED) TO BE FIELD MITERED AT CORNERS.  
 FIELD SLOT GIRTS AS REQUIRED FOR CABLE BRACE CLEARANCE.

SPECIAL BOLTS	Q	ID	QUAN	TYPE	DIA	LENGTH	WASH
	Q	ID	QUAN	TYPE	DIA	LENGTH	WASH
	2		4	A307	1/2"	1 1/4"	0

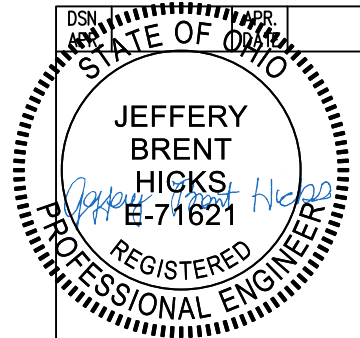
CONNECTION PLATES	
FRAME LINE 1	
ID	MARK/PART
1	CL-18
2	CL-103
3	CL-100

MEMBER TABLE	
FRAME LINE 1	
MARK	PART
DJ-3	8X35C16
DS-2	8X25C16
E-2	8E14
E-4	8E14
E-5	8E14
G-31	8X35C12
G-35	8X25Z14
G-37	8X35C12
G-38	8X25Z12
G-39	8X25Z14
G-40	8X25Z14
G-41	8X35C12
G-42	8X25Z14
G-43	8X25Z14
RD-2	RD1000



SIDEWALL FRAMING: FRAME LINE 1  
BLDG. "A"

ERECTION NOTES:  
KNIFE PLATE/BRACE CLIP SHOULD BE  
INSTALLED FIRST, THEN THE SIMPLE  
SAVER INSULATION/LINER.



GENERAL NOTES:  
TRIM IS FIGURED WITH 2" TRIM LAP UNLESS NOTED ON A DETAIL.  
FIELD CUT PANELS AT FRAMED OPENINGS, WALKDOORS, AND WINDOWS.  
FORMED BASE TRIM (IF USED) TO BE FIELD MITERED AT CORNERS.  
FIELD SLOT GIRTS AS REQUIRED FOR CABLE BRACE CLEARANCE.

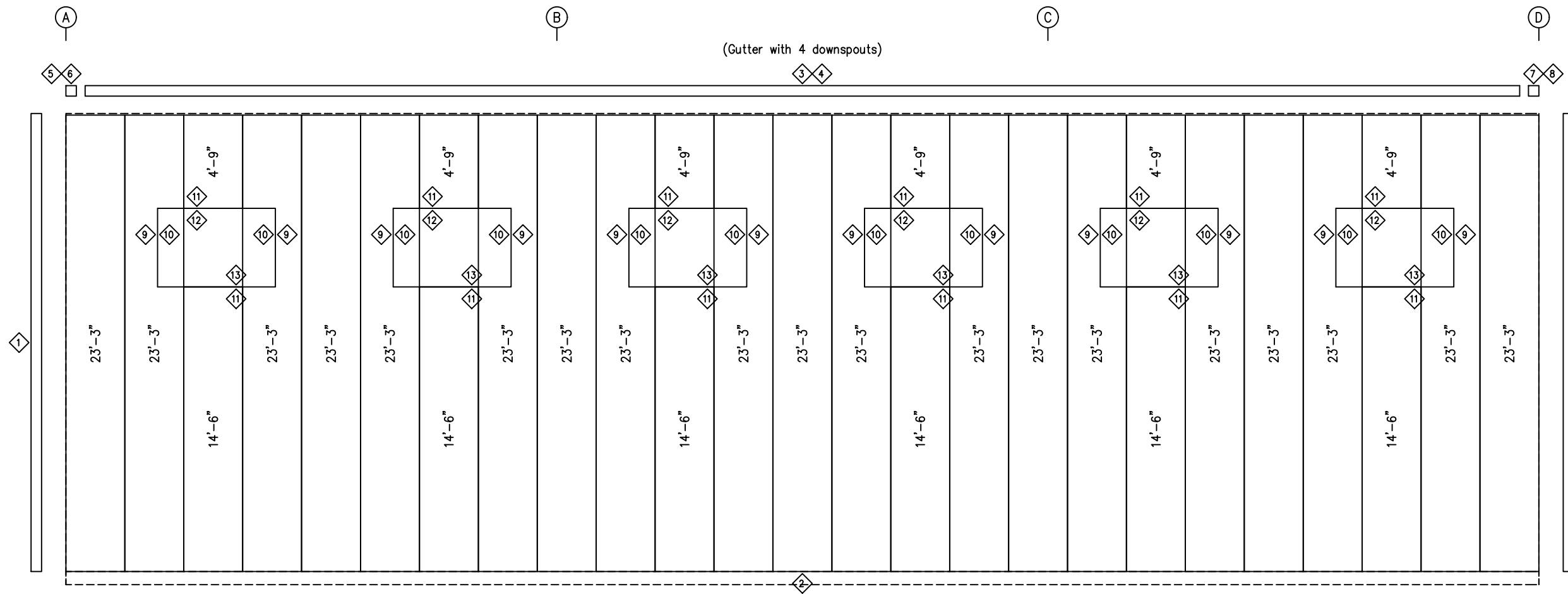
DRAWING STATUS	
<input type="checkbox"/>	FOR APPROVAL: THESE DRAWINGS, BEING FOR APPROVAL, ARE BY DEFINITION NOT FINAL AND ARE FOR CONCEPTUAL REPRESENTATION ONLY. THEIR PURPOSE IS TO CONFIRM PROPER INTERPRETATION OF THE PROJECT DOCUMENTS. ONLY DRAWINGS ISSUED "FOR CONSTRUCTION" CAN BE CONSIDERED AS COMPLETE.
<input checked="" type="checkbox"/>	FOR PERMIT: THESE DRAWINGS, BEING FOR PERMIT, ARE BY DEFINITION NOT FINAL IN THAT, AS A MINIMUM, PIECE MARKINGS ARE NOT IDENTIFIED. ONLY DRAWINGS ISSUED "FOR CONSTRUCTION" CAN BE CONSIDERED AS COMPLETE.
<input type="checkbox"/>	FOR CONSTRUCTION: FINAL DRAWINGS.

REVISIONS			
NO.	DATE	DESCRIPTION	BY
A	10/14/25	FOR PERMIT	ECD

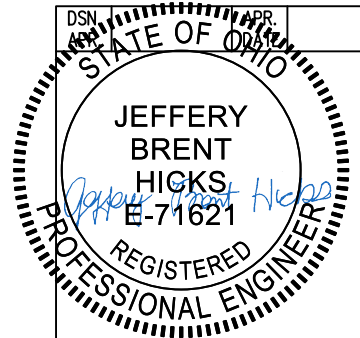
**SCHULTE BUILDING SYSTEMS**  
17600 Badtke Road - Hockley, Texas 77447  
PHONE: 281.304.6111 877.257.2534  
FAX: 281.304.6113  
www.SchulteBuildingSystems.com

DESCRIPTION	SIDEWALL ELEVATION	SIZE	REFER TO C1
TOWER OR PROJECT	WB Building	CUSTOMER	STEVENS CONSTRUCTION CO INC
JOB SITE LOCATION	621 BUCKEYE ST MARION, OH 43302-6121	ADDRESS	2181 INNOVATION DRIVE, SUITE 10 MARION, OH 43302
CAD BY	ENGRD BY	DATE	SCALE
ECD	JEM	10/ 6/25	N.T.S.
JOB NO.	209332	PH	BLDG. DESC.
			E12 of 22

TRIM TABLE				
FRAME LINE 1				
ID	QUAN	PART	LENGTH	DETAIL
1	2	FL-110	11'-9"	TD40
2	4	FL-54	20'-2"	TD240
3	3	FL-171	18'-6"	TD632
4	4	FL-214	18'-11"	
5	1	FL-171L	11'-2"	TD292
6	1	FL-169L	8"	
7	1	FL-171R	11'-2"	
8	1	FL-169R	8"	
9	1	FL-55	4'-4"	
10	1	FL-48	4'-3"	TD51
11	1	FL-55	6'-4"	
12	1	FL-52	6'-4"	TD52
13	1	FL-53	6'-4"	



**SIDEWALL SHEETING & TRIM: FRAME LINE 1**  
 PANELS: 26 Ga. PBR - Almond (Kynar)  
 BLDG. "A"



DRAWING STATUS	
<input type="checkbox"/>	FOR APPROVAL: THESE DRAWINGS, BEING FOR APPROVAL, ARE BY DEFINITION NOT FINAL AND ARE FOR CONCEPTUAL REPRESENTATION ONLY. THEIR PURPOSE IS TO CONFIRM PROPER INTERPRETATION OF THE PROJECT DOCUMENTS. ONLY DRAWINGS ISSUED "FOR CONSTRUCTION" CAN BE CONSIDERED AS COMPLETE.
<input checked="" type="checkbox"/>	FOR PERMIT: THESE DRAWINGS, BEING FOR PERMIT, ARE BY DEFINITION NOT FINAL IN THAT, AS A MINIMUM, PIECE MARKINGS ARE NOT IDENTIFIED. ONLY DRAWINGS ISSUED "FOR CONSTRUCTION" CAN BE CONSIDERED AS COMPLETE.
<input type="checkbox"/>	FOR CONSTRUCTION: FINAL DRAWINGS.

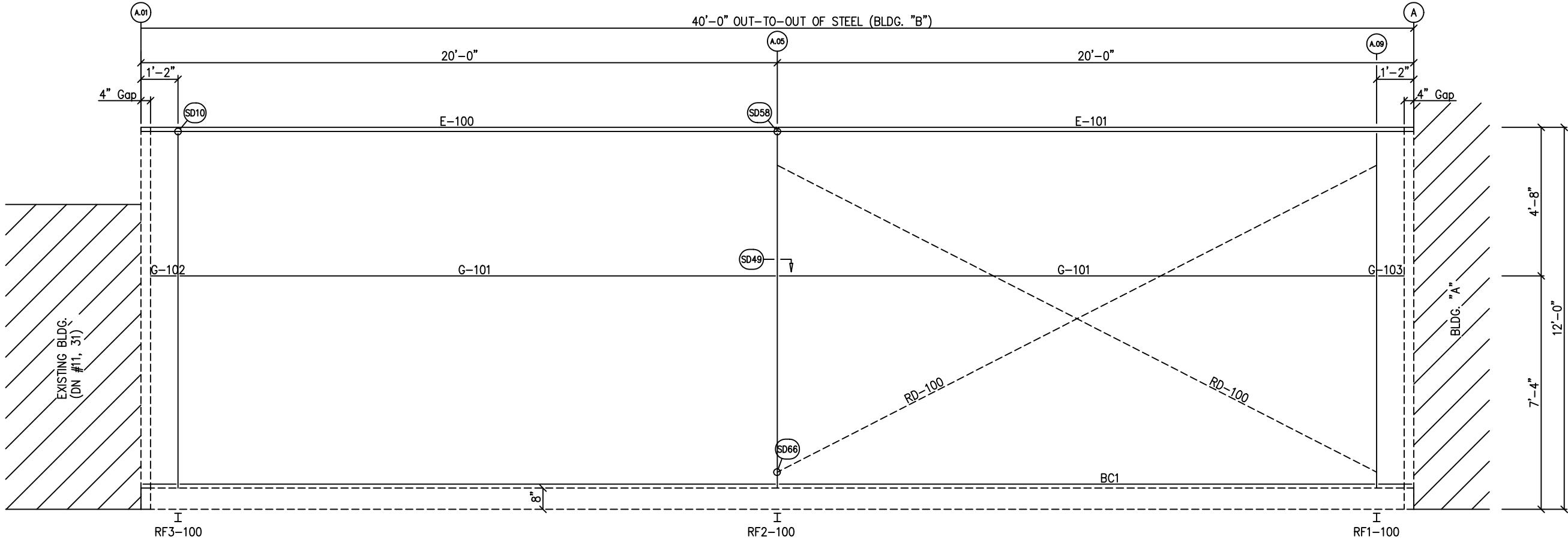
REVISIONS			
NO.	DATE	DESCRIPTION	BY
A	10/14/25	FOR PERMIT	ECD

**SCHULTE BUILDING SYSTEMS**  
 17600 Badtke Road - Hockley, Texas 77447  
 PHONE: 281.304.6111 877.257.2534  
 FAX: 281.304.6113  
 www.SchulteBuildingSystems.com

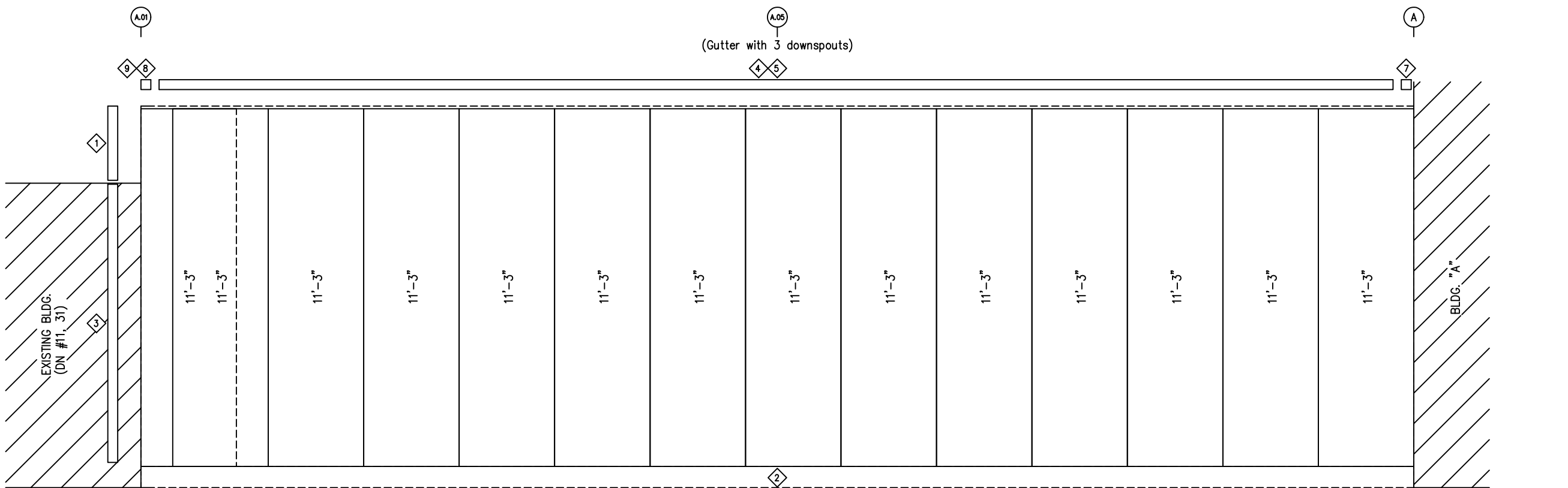
DESCRIPTION	SIDEWALL ELEVATION	SIZE	REFER TO C1
TOWER OR PROJECT	WB Building	CUSTOMER	STEVENS CONSTRUCTION CO INC
JOB SITE	621 BUCKEYE ST	ADDRESS	2181 INNOVATION DRIVE, SUITE 10
LOCATION	MARION, OH 43302-6121		MARION, OH 43302
CAD BY	JEM	DATE	10/6/25
ENGRD BY	JEM	SCALE	N.T.S.
ECD		JOB NO.	209332
		PH	BLDG. DESC.
			E13 of 22

**GENERAL NOTES:**  
 TRIM IS FIGURED WITH 2" TRIM LAP UNLESS NOTED ON A DETAIL.  
 FIELD CUT PANELS AT FRAMED OPENINGS, WALKDOORS, AND WINDOWS.  
 FORMED BASE TRIM (IF USED) TO BE FIELD MITERED AT CORNERS.  
 FIELD SLOT GIRTS AS REQUIRED FOR CABLE BRACE CLEARANCE.





SIDEWALL FRAMING: FRAME LINE 4.2

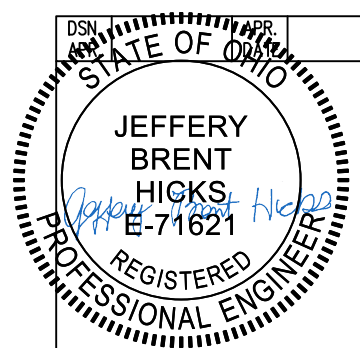


SIDEWALL SHEETING & TRIM: FRAME LINE 4.2  
PANELS: 26 Ga. PBR - Almond (Kynar)

BLDG. "B"

ID	QUAN	PART	LENGTH	DETAIL
1	1	SF-XX	2'-4"	TD40
2	2	FL-54	20'-2"	TD240
3	1	SF-XX	9'-0"	TD106
4	2	FL-171	15'-2"	TD632
5	2	FL-214	20'-2"	
7	1	FL-169R	8"	
8	1	FL-170L	11'-2"	TD292
9	1	FL-169L	8"	

MEMBER TABLE	
FRAME LINE 4.2	
MARK	PART
E-100	8E14
E-101	8E14
G-101	8X25Z16
G-102	8X25Z16
G-103	8X25Z16
RD-100	RD0500



DRAWING STATUS	
<input type="checkbox"/>	FOR APPROVAL: THESE DRAWINGS, BEING FOR APPROVAL, ARE BY DEFINITION NOT FINAL AND ARE FOR CONCEPTUAL REPRESENTATION ONLY. THEIR PURPOSE IS TO CONFIRM PROPER INTERPRETATION OF THE PROJECT DOCUMENTS. ONLY DRAWINGS ISSUED "FOR CONSTRUCTION" CAN BE CONSIDERED AS COMPLETE.
<input checked="" type="checkbox"/>	FOR PERMIT: THESE DRAWINGS, BEING FOR PERMIT, ARE BY DEFINITION NOT FINAL IN THAT, AS A MINIMUM, PIECE MARKINGS ARE NOT IDENTIFIED. ONLY DRAWINGS ISSUED "FOR CONSTRUCTION" CAN BE CONSIDERED AS COMPLETE.
<input type="checkbox"/>	FOR CONSTRUCTION: FINAL DRAWINGS.

REVISIONS			
NO.	DATE	DESCRIPTION	BY
A	10/15/25	FOR PERMIT	ECD

**SCHULTE BUILDING SYSTEMS**  
17600 Badtke Road - Hockley, Texas 77447  
PHONE: 281.304.6111 877.257.2534  
FAX: 281.304.6113  
www.SchulteBuildingSystems.com

DESCRIPTION	SIDEWALL ELEVATIONS	SIZE	REFER TO C1
TOWER OR PROJECT	WB Building	CUSTOMER	STEVENS CONSTRUCTION CO INC
JOB SITE LOCATION	621 BUCKEYE ST MARION, OH 43302-6121	ADDRESS	2181 INNOVATION DRIVE, SUITE 10 MARION, OH 43302
CAD BY	JEM	ENGRD BY	JEM
DATE	10/6/25	SCALE	N.T.S.
JOB NO.	209332	PH	BLDG. DESC.
SHEET NO.	E15 of 22	ISSUE	A

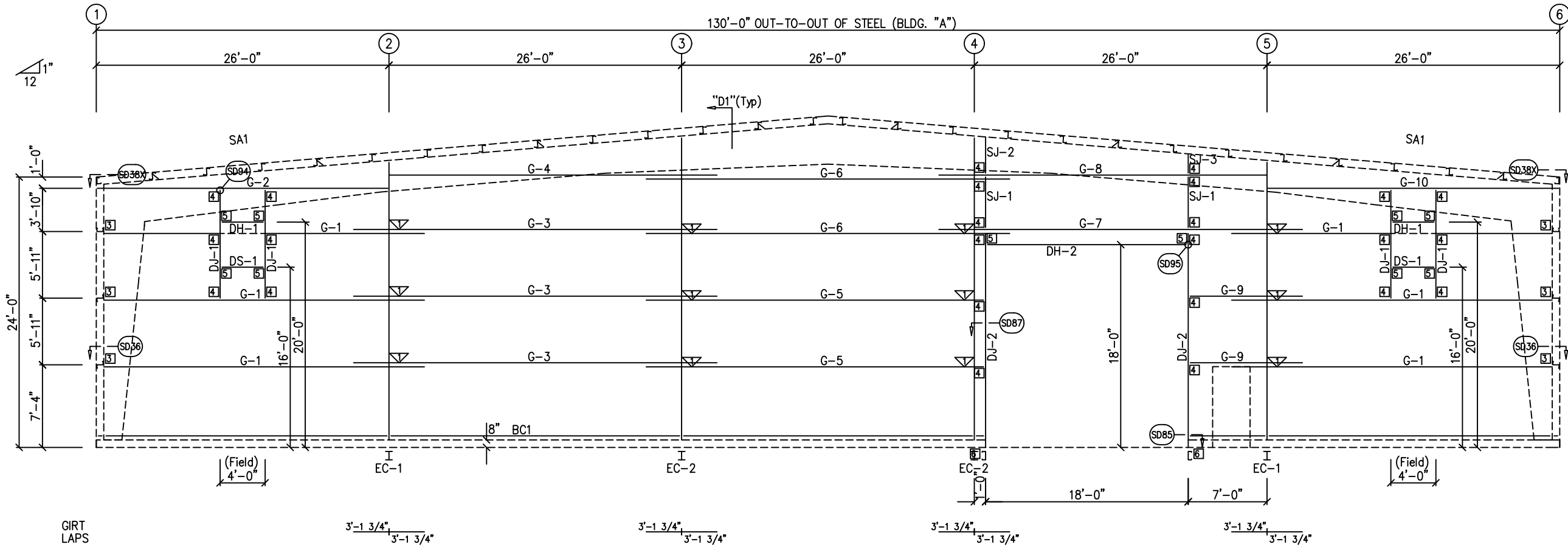
**GENERAL NOTES:**  
TRIM IS FIGURED WITH 2" TRIM LAP UNLESS NOTED ON A DETAIL.  
FIELD CUT PANELS AT FRAMED OPENINGS, WALKDOORS, AND WINDOWS.  
FORMED BASE TRIM (IF USED) TO BE FIELD MITERED AT CORNERS.  
FIELD SLOT GIRTS AS REQUIRED FOR CABLE BRACE CLEARANCE.

BOLT TABLE				
FRAME LINE D				
LOCATION	QUAN	TYPE	DIA	LENGTH
Columns/Raf	10	A325	5/8"	1 1/4"

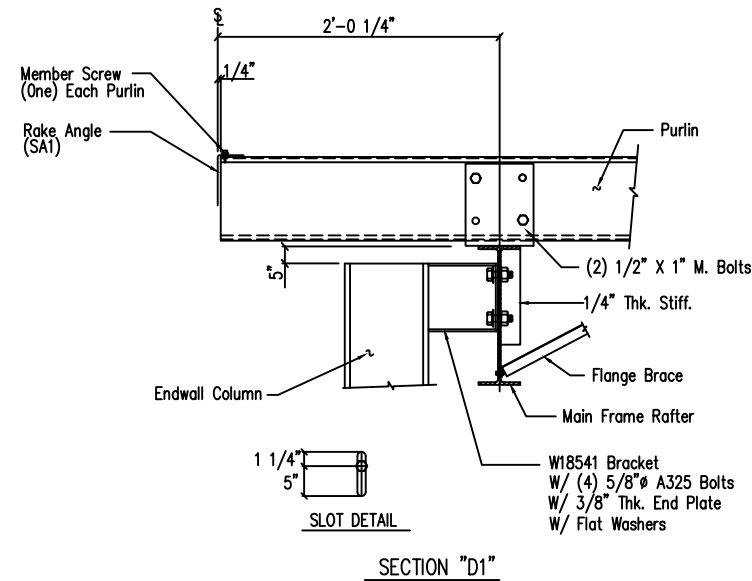
FLANGE BRACE TABLE		
FRAME LINE D		
VID	MARK	LENGTH
1	FB1A	2'-9 1/4"

CONNECTION PLATES	
FRAME LINE D	
ID	MARK/PART
1	CL-38
3	CL-64
4	CL-103
5	CL-100
6	CL-104

MEMBER TABLE	
FRAME LINE D	
MARK	PART
EC-1	W10X15
EC-2	W10X17
DJ-1	8X35C16
DJ-2	12X35C14
DH-1	8X25C16
DH-2	12X35C14
DS-1	8X25C16
G-1	8X25Z12
G-2	8X25Z12
G-3	8X25Z12
G-4	8X25Z12
G-5	8X25Z12
G-6	8X25Z12
G-7	8X25Z12
G-8	8X25Z12
G-9	8X25Z12
G-10	8X25Z12
SJ-1	12X35C14
SJ-2	12X35C14
SJ-3	12X35C14



ENDWALL FRAMING: FRAME LINE D  
BLDG. "A"



ERECTION NOTES:  
KNIFE PLATE/BRACE CLIP SHOULD BE  
INSTALLED FIRST, THEN THE SIMPLE  
SAVER INSULATION/LINER.

GENERAL NOTES:  
TRIM IS FIGURED WITH 2" TRIM LAP UNLESS NOTED ON A DETAIL.  
FIELD CUT PANELS AT FRAMED OPENINGS, WALKDOORS, AND WINDOWS.  
FORMED BASE TRIM (IF USED) TO BE FIELD MITERED AT CORNERS.  
BEVELCUT ENDWALL PANELS AS REQUIRED.  
FIELD SLOT GIRTS AS REQUIRED FOR CABLE BRACE CLEARANCE.

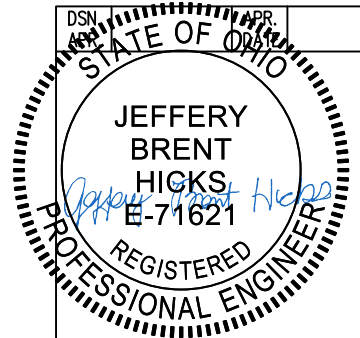
DRAWING STATUS	
<input type="checkbox"/> FOR APPROVAL:	THESE DRAWINGS, BEING FOR APPROVAL, ARE BY DEFINITION NOT FINAL AND ARE FOR CONCEPTUAL REPRESENTATION ONLY. THEIR PURPOSE IS TO CONFIRM PROPER INTERPRETATION OF THE PROJECT DOCUMENTS. ONLY DRAWINGS ISSUED "FOR CONSTRUCTION" CAN BE CONSIDERED AS COMPLETE.
<input checked="" type="checkbox"/> FOR PERMIT:	THESE DRAWINGS, BEING FOR PERMIT, ARE BY DEFINITION NOT FINAL IN THAT, AS A MINIMUM, PIECE MARKINGS ARE NOT IDENTIFIED. FINAL DRAWINGS ISSUED "FOR CONSTRUCTION" CAN BE CONSIDERED AS COMPLETE.
<input type="checkbox"/> FOR CONSTRUCTION:	FINAL DRAWINGS.

REVISIONS				
NO.	DATE	DESCRIPTION	BY	CHK'D
A	10/14/25	FOR PERMIT	ECD	RICH

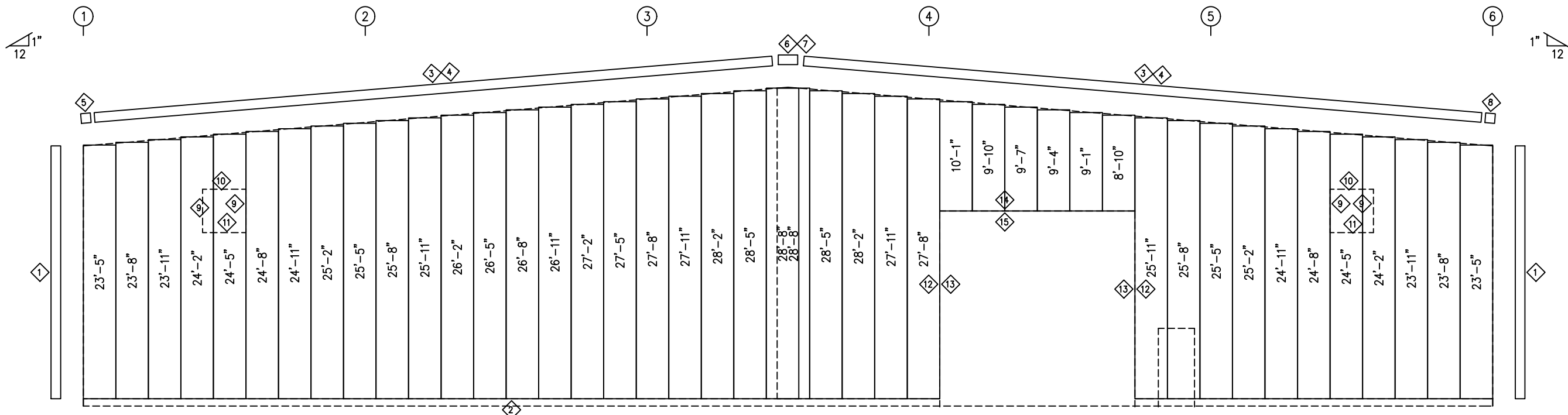
**SCHULTE BUILDING SYSTEMS**  
17600 Badtke Road - Hockley, Texas 77447  
PHONE: 281.304.6111 877.257.2534  
FAX: 281.304.6113  
www.SchulteBuildingSystems.com

**SBS**  
SCHULTE BUILDING SYSTEMS

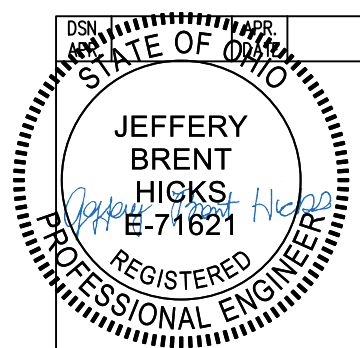
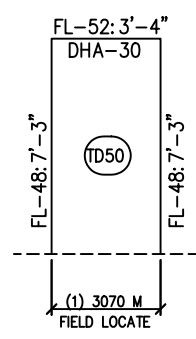
DESCRIPTION	ENDWALL ELEVATION	SIZE	REFER TO C1
TOWER OR PROJECT	WB Building	CUSTOMER	STEVENS CONSTRUCTION CO INC
JOB SITE LOCATION	621 BUCKEYE ST MARION, OH 43302-6121	ADDRESS	2181 INNOVATION DRIVE, SUITE 10 MARION, OH 43302
CAD BY	JEM	DATE	10/6/25
ENGRD BY	JEM	SCALE	N.T.S.
ECD	JEM	JOB NO.	209332
		PH	BLDG. DESC.
			E16 of 22
			A



TRIM TABLE				
FRAME LINE D				
ID	QUAN	PART	LENGTH	DETAIL
1	2	FL-110	11'-9"	TD40
2	6	FL-54	20'-2"	TD240
3	3	FL-330	18'-7"	TD625
4	7	FL-207	9'-6"	TD626
5	1	FL-330L	11'-2"	TD292
6	1	FL-331B	2'-9"	
7	1	FL-201	5 1/2"	TD111
8	1	FL-330R	11'-2"	
9	1	FL-48	4'-3"	TD51
10	1	FL-52	4'-4"	TD52
11	1	FL-50	4'-4"	
12	1	FL-301	18'-2"	SD121
13	1	FL-48	17'-7"	TD51
14	1	FL-301	18'-4"	SD90
15	1	FL-52	18'-4"	TD52



ENDWALL SHEETING & TRIM: FRAME LINE D  
 PANELS: 26 Ga. PBR - Almond (Kynar)



**GENERAL NOTES:**  
 TRIM IS FIGURED WITH 2" TRIM LAP UNLESS NOTED ON A DETAIL.  
 FIELD CUT PANELS AT FRAMED OPENINGS, WALKDOORS, AND WINDOWS.  
 FORMED BASE TRIM (IF USED) TO BE FIELD MITERED AT CORNERS.  
 BEVELCUT ENDWALL PANELS AS REQUIRED.  
 FIELD SLOT GIRTS AS REQUIRED FOR CABLE BRACE CLEARANCE.

DRAWING STATUS		REVISIONS				
<input type="checkbox"/>	FOR APPROVAL: THESE DRAWINGS, BEING FOR APPROVAL, ARE BY DEFINITION NOT FINAL AND ARE FOR CONCEPTUAL REPRESENTATION ONLY. THEIR PURPOSE IS TO CONFIRM PROPER INTERPRETATION OF THE PROJECT DOCUMENTS. ONLY DRAWINGS ISSUED "FOR CONSTRUCTION" CAN BE CONSIDERED AS COMPLETE.	NO.	DATE	DESCRIPTION	BY	CK'D
<input checked="" type="checkbox"/>	FOR PERMIT: THESE DRAWINGS, BEING FOR PERMIT, ARE BY DEFINITION NOT FINAL IN THAT, AS A MINIMUM, PIECE MARKINGS ARE NOT IDENTIFIED. ONLY DRAWINGS ISSUED "FOR CONSTRUCTION" CAN BE CONSIDERED AS COMPLETE.	A	10/14/25	FOR PERMIT	ECD	RICH
<input type="checkbox"/>	FOR CONSTRUCTION: THESE DRAWINGS, BEING FOR CONSTRUCTION, ARE BY DEFINITION FINAL. ONLY DRAWINGS ISSUED "FOR CONSTRUCTION" CAN BE CONSIDERED AS COMPLETE.					

**SCHULTE BUILDING SYSTEMS**  
 17600 Badtke Road - Hockley, Texas 77447  
 PHONE: 281.304.6111 877.257.2534  
 FAX: 281.304.6113  
 www.SchulteBuildingSystems.com

DESCRIPTION	ENDWALL ELEVATION	SIZE	REFER TO C1
TOWER OR PROJECT	WB Building	CUSTOMER	STEVENS CONSTRUCTION CO INC
JOB SITE LOCATION	621 BUCKEYE ST MARION, OH 43302-6121	ADDRESS	2181 INNOVATION DRIVE, SUITE 10 MARION, OH 43302
CAD BY	JEM	ENGRD BY	JEM
DATE	10/6/25	SCALE	N.T.S.
JOB NO.	209332	PH	BLOC DESC.
SHEET NO.	E17 of 22	ISSUE	A

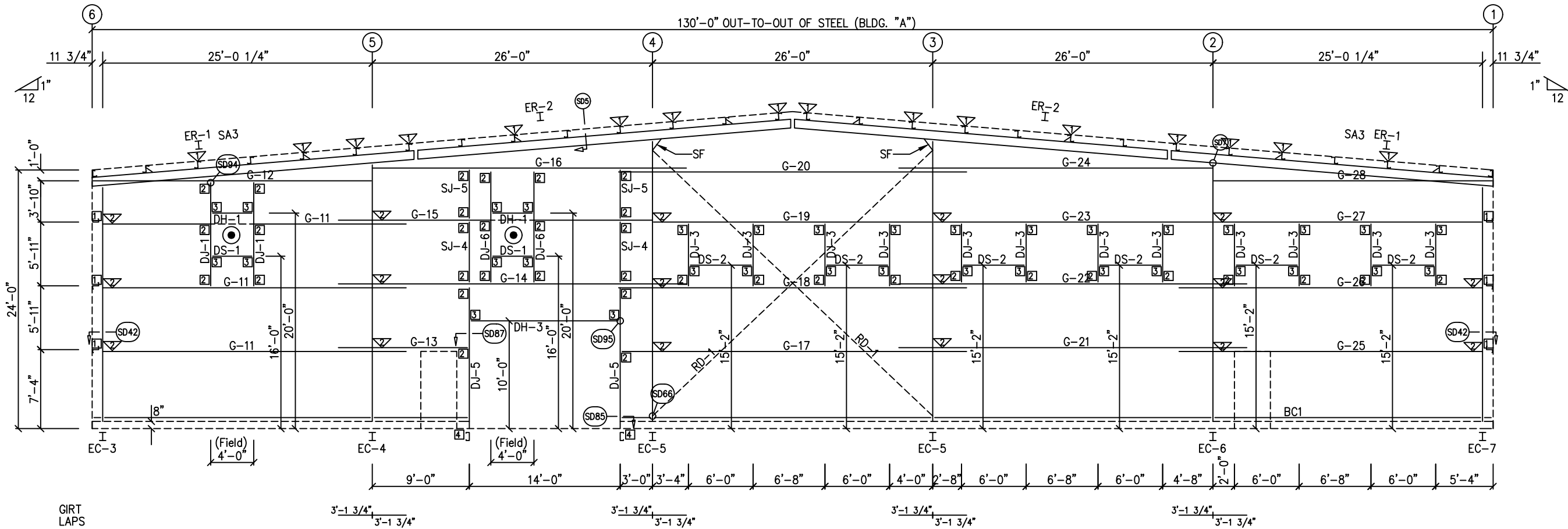
BOLT TABLE				
FRAME LINE A				
LOCATION	QUAN	TYPE	DIA	LENGTH
ER-1/ER-2	8	A325	5/8"	1 3/4"
ER-2/ER-2	8	A325	5/8"	1 3/4"
Columns/Raf	4	A325	5/8"	1 1/4"

FLANGE BRACE TABLE		
FRAME LINE A		
VID	MARK	LENGTH
1	FB2A	2'-10 1/4"
2	FB1A	2'-9 1/4"

CONNECTION PLATES	
FRAME LINE A	
VID	MARK/PART
1	CL-64
2	CL-103
3	CL-100
4	CL-104

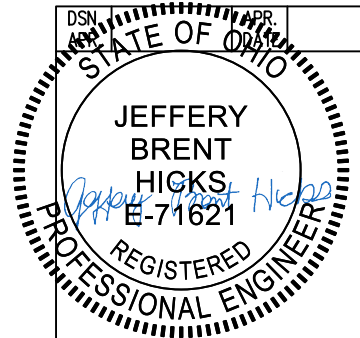
MEMBER TABLE	
FRAME LINE A	
MARK	PART
EC-3	W10X15
EC-4	W10X15
EC-5	W10X17
EC-6	W10X15
EC-7	W10X12
ER-1	W10X12
ER-2	W10X12
DJ-1	8X35C16
DJ-3	8X35C16
DJ-5	8X35C16
DJ-6	8X35C16
DH-1	8X25C16
DH-3	8X25C16
DS-1	8X25C16
DS-2	8X25C16
G-11	8X25Z12
G-12	8X25Z12
G-13	8X25Z12
G-14	8X25Z12
G-15	8X25Z12
G-16	8X25Z12
G-17	8X25Z12
G-18	8X25Z14
G-19	8X25C12
G-20	8X25Z14
G-21	8X25Z14
G-22	8X25Z14
G-23	8X25C12
G-24	8X25Z16
G-25	8X25Z12
G-26	8X25Z14
G-27	8X25C12
G-28	8X25Z16
RD-1	RD0500
SJ-4	8X35C16
SJ-5	8X35C16

ERECTION NOTES:  
KNIFE PLATE/BRACE CLIP SHOULD BE  
INSTALLED FIRST, THEN THE SIMPLE  
SAVER INSULATION/LINER.



ENDWALL FRAMING: FRAME LINE A

⊙ = LOUVER/EXHAUST FANS (SEE DN #33 AND DN #34)  
SF = 5/16" DIAGONAL STIFF.



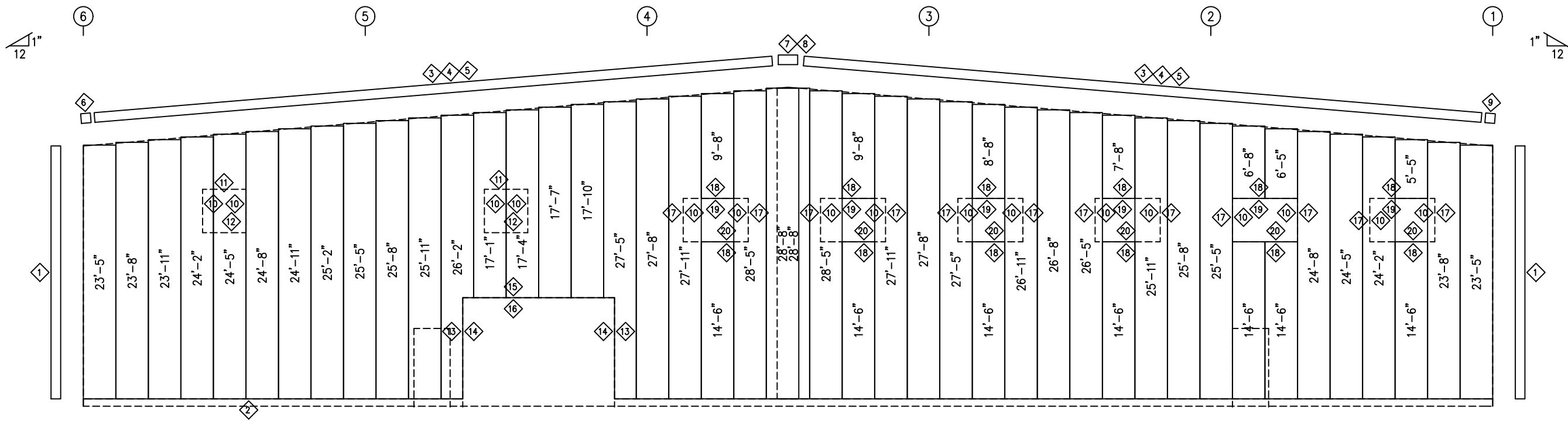
DRAWING STATUS	
<input type="checkbox"/>	FOR APPROVAL: THESE DRAWINGS, BEING FOR APPROVAL, ARE BY DEFINITION NOT FINAL AND ARE FOR CONCEPTUAL REPRESENTATION ONLY. THEIR PURPOSE IS TO CONFIRM PROPER INTERPRETATION OF THE PROJECT DOCUMENTS. ONLY DRAWINGS ISSUED "FOR CONSTRUCTION" CAN BE CONSIDERED AS COMPLETE.
<input checked="" type="checkbox"/>	FOR PERMIT: THESE DRAWINGS, BEING FOR PERMIT, ARE BY DEFINITION NOT FINAL IN THAT, AS A MINIMUM, PIECE MARKINGS ARE NOT IDENTIFIED. ONLY DRAWINGS ISSUED "FOR CONSTRUCTION" CAN BE CONSIDERED AS COMPLETE.
<input type="checkbox"/>	FOR CONSTRUCTION: FINAL DRAWINGS.

REVISIONS			
NO.	DATE	DESCRIPTION	BY
A	10/14/25	FOR PERMIT	ECD

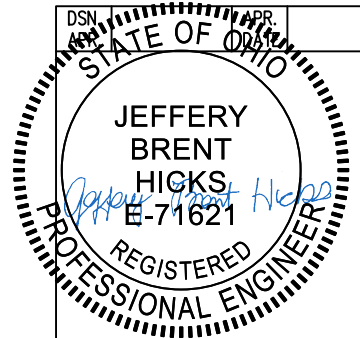
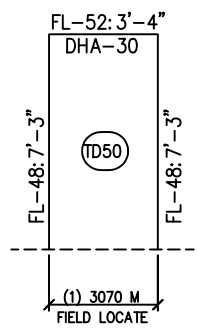
**SCHULTE BUILDING SYSTEMS**  
17600 Badtke Road - Hockley, Texas 77447  
PHONE: 281.304.6111 877.257.2534  
FAX: 281.304.6113  
www.SchulteBuildingSystems.com

DESCRIPTION	ENDWALL ELEVATION	SIZE	REFER TO C1
TOWER OR PROJECT	WB Building	CUSTOMER	STEVENS CONSTRUCTION CO INC
JOB SITE	621 BUCKEYE ST	ADDRESS	2181 INNOVATION DRIVE, SUITE 10
LOCATION	MARION, OH 43302-6121	LOCATION	MARION, OH 43302
CAD BY	JEM	DATE	10/6/25
ENGRD BY	JEM	SCALE	N.T.S.
ECD	JEM	JOB NO.	209332
		PH	BUDG. DESC.
			E18 of 22

TRIM TABLE				
FRAME LINE A				
ID	QUAN	PART	LENGTH	DETAIL
1	2	FL-110	11'-9"	TD40
2	6	FL-54	20'-2"	TD240
3	3	FL-330	18'-7"	TD625
4	7	FL-207	9'-6"	TD626
5	4	FL-208	16'-6"	TD627
6	1	FL-330L	11'-2"	TD292
7	1	FL-331B	2'-9"	
8	1	FL-201	5 1/2"	TD111
9	1	FL-330R	11'-2"	
10	1	FL-48	4'-3"	TD51
11	1	FL-52	4'-4"	TD52
12	1	FL-50	4'-4"	
13	1	FL-55	10'-2"	SD121
14	1	FL-48	9'-7"	TD51
15	1	FL-55	14'-4"	SD90
16	1	FL-52	14'-4"	TD52
17	1	FL-55	4'-4"	
18	1	FL-55	6'-4"	
19	1	FL-52	6'-4"	TD52
20	1	FL-53	6'-4"	



ENDWALL SHEETING & TRIM: FRAME LINE A  
 PANELS: 26 Ga. PBR - Almond (Kynar)



GENERAL NOTES:  
 TRIM IS FIGURED WITH 2" TRIM LAP UNLESS NOTED ON A DETAIL.  
 FIELD CUT PANELS AT FRAMED OPENINGS, WALKDOORS, AND WINDOWS.  
 FORMED BASE TRIM (IF USED) TO BE FIELD MITERED AT CORNERS.  
 BEVELCUT ENDWALL PANELS AS REQUIRED.  
 FIELD SLOT GIRTS AS REQUIRED FOR CABLE BRACE CLEARANCE.

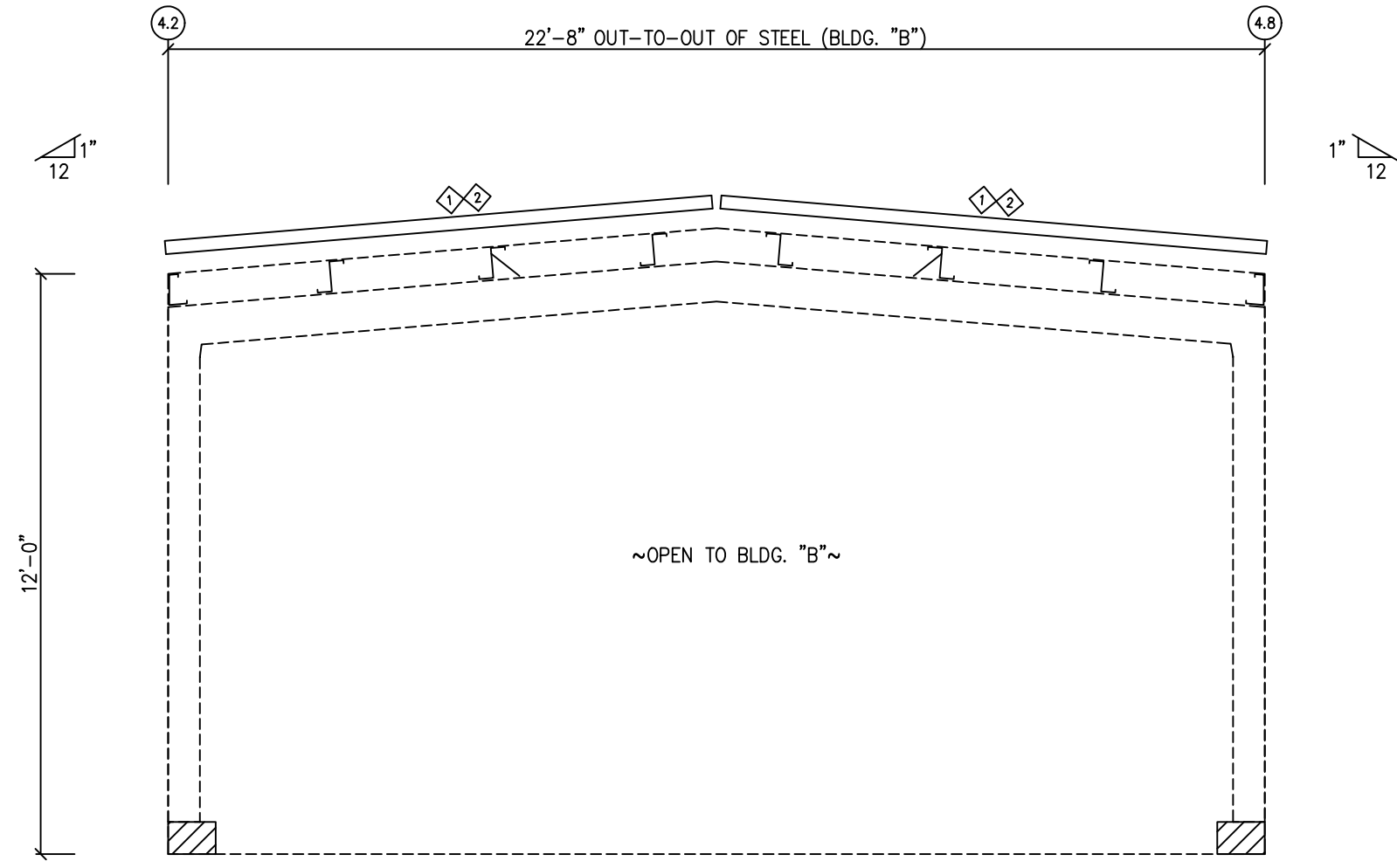
DRAWING STATUS	
<input type="checkbox"/>	FOR APPROVAL: THESE DRAWINGS, BEING FOR APPROVAL, ARE BY DEFINITION NOT FINAL AND ARE FOR CONCEPTUAL REPRESENTATION ONLY. THEIR PURPOSE IS TO CONFIRM PROPER INTERPRETATION OF THE PROJECT DOCUMENTS. ONLY DRAWINGS ISSUED "FOR CONSTRUCTION" CAN BE CONSIDERED AS COMPLETE.
<input checked="" type="checkbox"/>	FOR PERMIT: THESE DRAWINGS, BEING FOR PERMIT, ARE BY DEFINITION NOT FINAL IN THAT, AS A MINIMUM, PIECE MARKINGS ARE NOT IDENTIFIED. ONLY DRAWINGS ISSUED "FOR CONSTRUCTION" CAN BE CONSIDERED AS COMPLETE.
<input type="checkbox"/>	FOR CONSTRUCTION: FINAL DRAWINGS.

REVISIONS			
NO.	DATE	DESCRIPTION	BY
A	10/14/25	FOR PERMIT	ECD

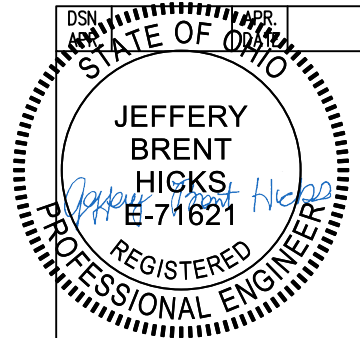
**SCHULTE BUILDING SYSTEMS**  
 17600 Badtke Road - Hockley, Texas 77447  
 PHONE: 281.304.6111 877.257.2534  
 FAX: 281.304.6113  
 www.SchulteBuildingSystems.com

DESCRIPTION	ENDWALL ELEVATION	SIZE	REFER TO C1
TOWER OR PROJECT	WB Building	CUSTOMER	STEVENS CONSTRUCTION CO INC
JOB SITE LOCATION	621 BUCKEYE ST MARION, OH 43302-6121	ADDRESS	2181 INNOVATION DRIVE, SUITE 10 MARION, OH 43302
CAD BY	JEM	ENGRD BY	JEM
DATE	10/6/25	SCALE	N.T.S.
JOB NO.	209332	PH	BUDG. DESC.
SHEET NO.	E19 of 22	ISSUE	A

TRIM TABLE				
FRAME LINE 4.2				
ID	QUAN	PART	LENGTH	DETAIL
1	2	FL-414	11'-7"	TD260
2	2	FL-411	11'-7"	



ENDWALL FRAMING: FRAME LINE A.09



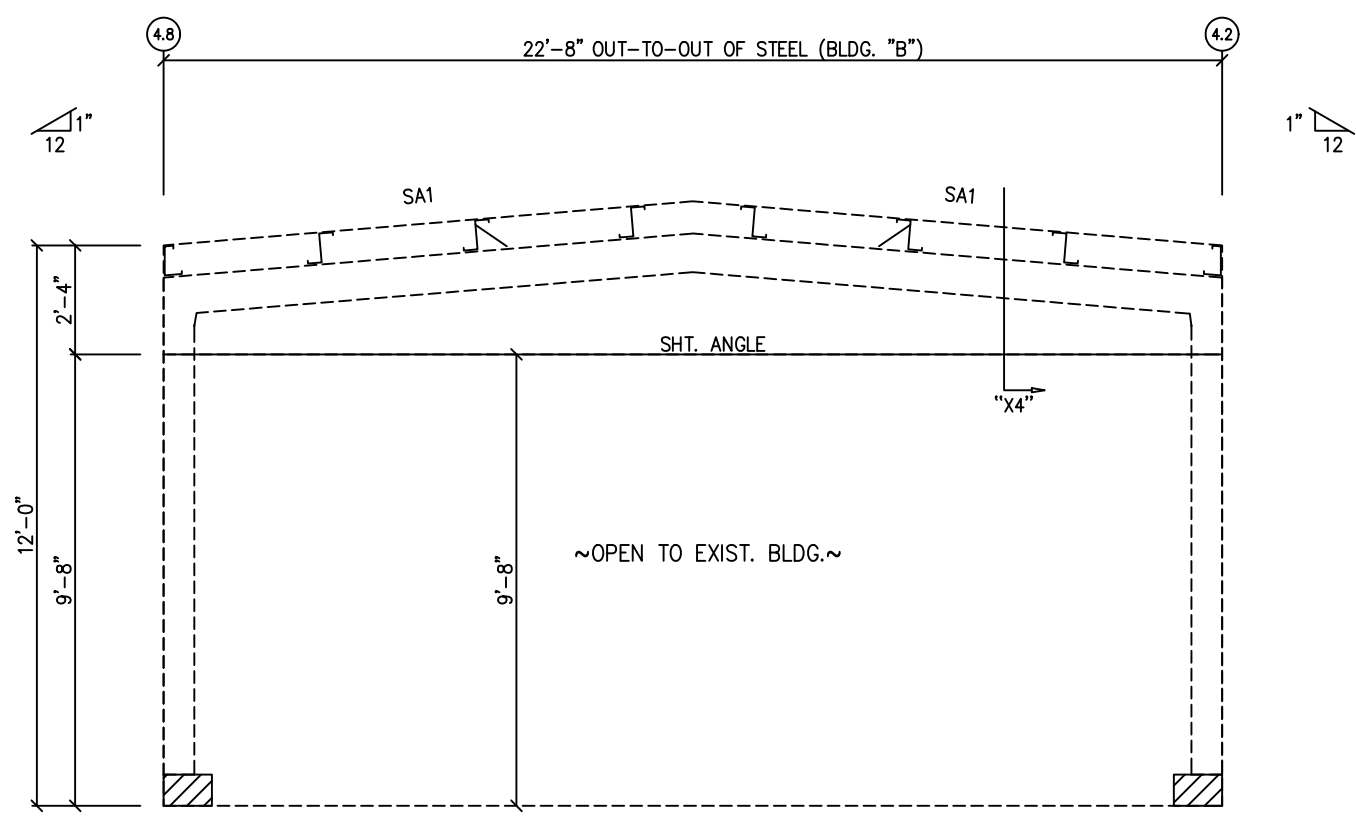
DRAWING STATUS		REVISIONS				
<input type="checkbox"/>	FOR APPROVAL: THESE DRAWINGS, BEING FOR APPROVAL, ARE BY DEFINITION NOT FINAL AND ARE FOR CONCEPTUAL REPRESENTATION ONLY. THEIR PURPOSE IS TO CONFIRM PROPER INTERPRETATION OF THE PROJECT DOCUMENTS. ONLY DRAWINGS ISSUED "FOR CONSTRUCTION" CAN BE CONSIDERED AS COMPLETE.	NO.	DATE	DESCRIPTION	BY	CK'D
<input checked="" type="checkbox"/>	FOR PERMIT: THESE DRAWINGS, BEING FOR PERMIT, ARE BY DEFINITION NOT FINAL IN THAT, AS A MINIMUM, PIECE MARKINGS ARE NOT IDENTIFIED. ONLY DRAWINGS ISSUED "FOR CONSTRUCTION" CAN BE CONSIDERED AS COMPLETE.	A	10/14/25	FOR PERMIT	ECD	RICH
<input type="checkbox"/>	FOR CONSTRUCTION: THESE DRAWINGS, BEING FOR CONSTRUCTION, ARE BY DEFINITION NOT FINAL IN THAT, AS A MINIMUM, PIECE MARKINGS ARE NOT IDENTIFIED. ONLY DRAWINGS ISSUED "FOR CONSTRUCTION" CAN BE CONSIDERED AS COMPLETE.					
<input type="checkbox"/>	FINAL DRAWINGS.					

DESCRIPTION		SIZE	
ENDWALL ELEVATION	REFER TO C1		
OWNER OR PROJECT	WB Building	CUSTOMER	STEVENS CONSTRUCTION CO INC
JOB SITE LOCATION	621 BUCKEYE ST MARION, OH 43302-6121	ADDRESS	2181 INNOVATION DRIVE, SUITE 10 MARION, OH 43302
CAD BY	JEM	DATE	10/6/25
ENGRD BY	JEM	SCALE	N.T.S.
		JOB NO.	209332
		PH	BLDG. DESC.
		SHEET NO.	E20 of 22
		ISSUE	A

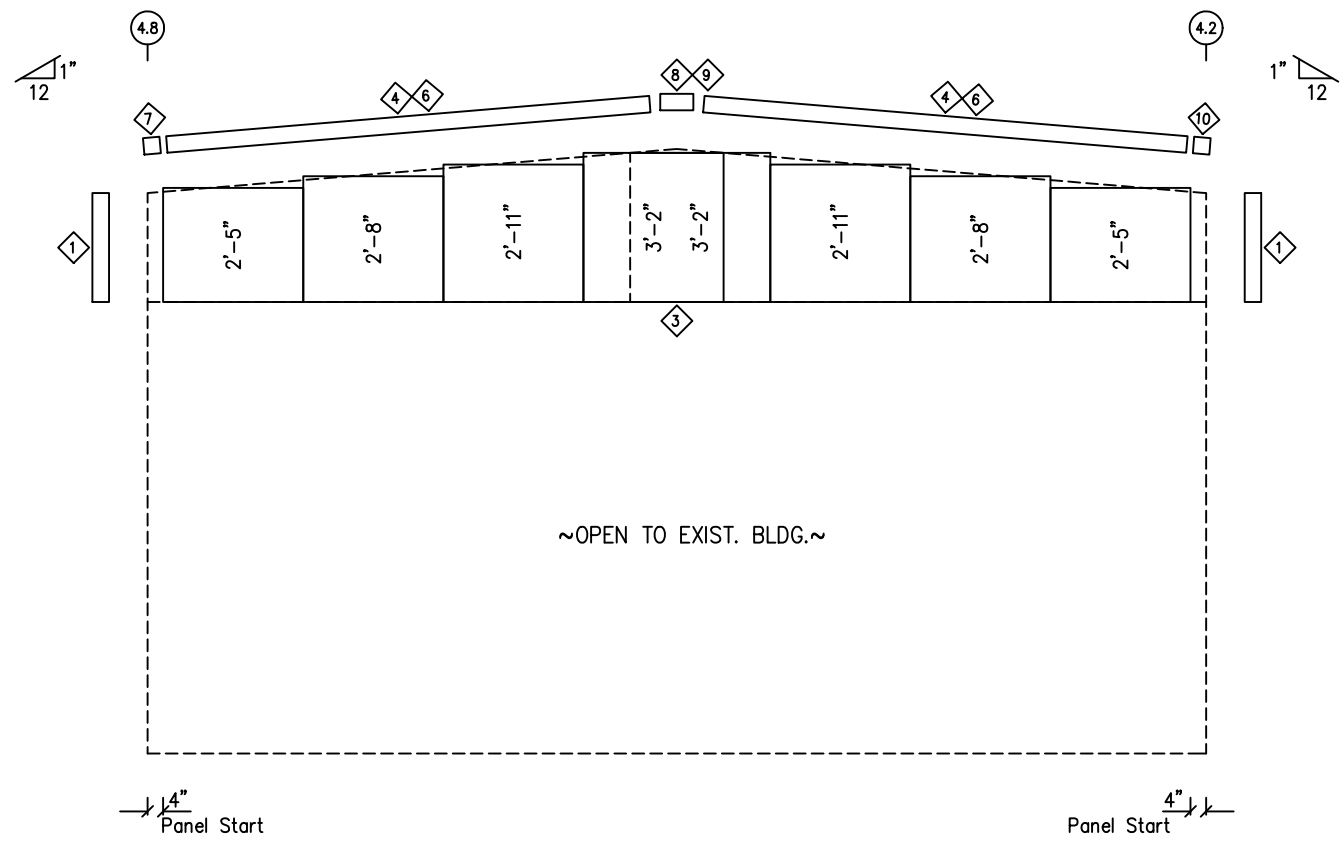
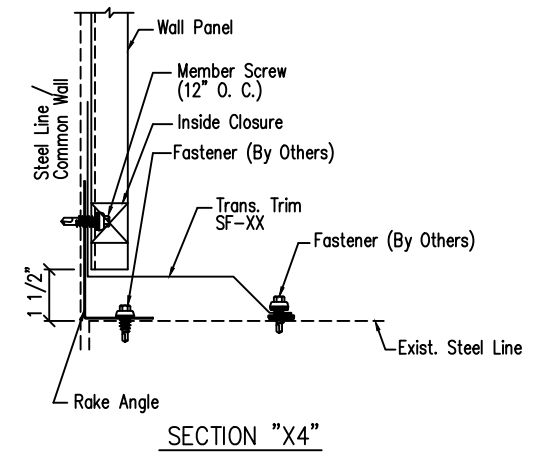
**SCHULTE BUILDING SYSTEMS**  
 17600 Badtke Road - Hockley, Texas 77447  
 PHONE: 281.304.6111 877.257.2534  
 FAX: 281.304.6113  
 www.SchulteBuildingSystems.com

**GENERAL NOTES:**  
 TRIM IS FIGURED WITH 2" TRIM LAP UNLESS NOTED ON A DETAIL.  
 FIELD CUT PANELS AT FRAMED OPENINGS, WALKDOORS, AND WINDOWS.  
 FORMED BASE TRIM (IF USED) TO BE FIELD MITERED AT CORNERS.  
 BEVELCUT ENDWALL PANELS AS REQUIRED.  
 FIELD SLOT GIRTS AS REQUIRED FOR CABLE BRACE CLEARANCE.

ID	QUAN	PART	LENGTH	DETAIL
1	1	SF-XX	2'-4"	TD40
3	2	SF-XX	11'-6"	
4	1	FL-330	1'-5"	TD625
5	1	FL-208	11'-5"	
6	2	FL-207	5'-10"	TD292
7	1	FL-330L	11'-2"	
8	1	FL-331B	2'-9"	
9	1	FL-201	5 1/2"	TD111
10	1	FL-330R	11'-2"	

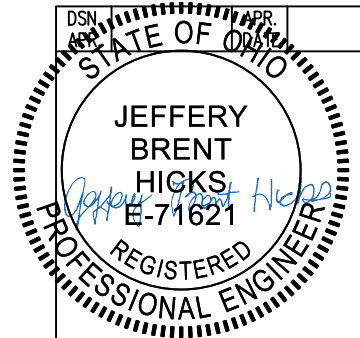


ENDWALL FRAMING: FRAME LINE A.01



ENDWALL SHEETING & TRIM: FRAME LINE A.01

PANELS: 26 Ga. PBR - Almond (Kynar)  
BLDG. "B"



**DRAWING STATUS**

<input type="checkbox"/> FOR APPROVAL:	THESE DRAWINGS, BEING FOR APPROVAL, ARE BY DEFINITION NOT FINAL, AND ARE FOR CONCEPTUAL REPRESENTATION ONLY. THEIR PURPOSE IS TO CONFIRM PROPER INTERPRETATION OF THE PROJECT DOCUMENTS. ONLY DRAWINGS ISSUED "FOR CONSTRUCTION" CAN BE CONSIDERED AS COMPLETE.
<input checked="" type="checkbox"/> FOR PERMIT:	THESE DRAWINGS, BEING FOR PERMIT, ARE BY DEFINITION NOT FINAL IN THAT, AS A MINIMUM, PIECE MARKINGS ARE NOT IDENTIFIED. ONLY DRAWINGS ISSUED "FOR CONSTRUCTION" CAN BE CONSIDERED AS COMPLETE.
<input type="checkbox"/> FOR CONSTRUCTION:	FINAL DRAWINGS.

**REVISIONS**

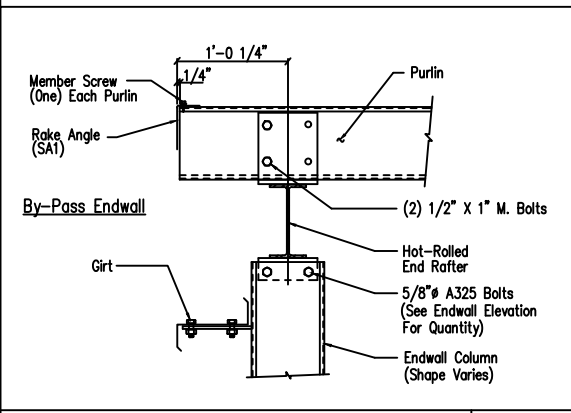
NO.	DATE	DESCRIPTION	BY	CHK'D
A	10/14/25	FOR PERMIT	ECD	RICH

**SCHULTE BUILDING SYSTEMS**

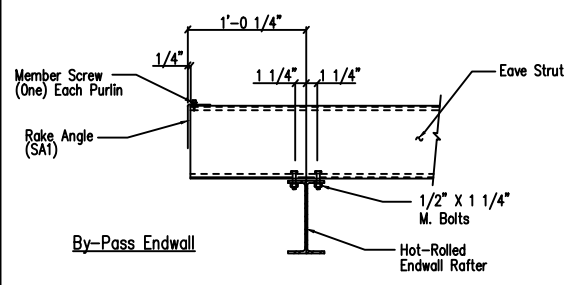
17600 Badtke Road - Hockley, Texas 77447		PHONE: 281.304.6111 877.257.2534	
FAX: 281.304.6113		www.SchulteBuildingSystems.com	
DESCRIPTION	ENDWALL ELEVATIONS	SIZE	REFER TO C1
TOWER OR PROJECT	WB Building	CUSTOMER	STEVENS CONSTRUCTION CO INC
JOB SITE	621 BUCKEYE ST	ADDRESS	2181 INNOVATION DRIVE, SUITE 10
LOCATION	MARION, OH 43302-6121		MARION, OH 43302
CAD BY	ENGRD BY	DATE	SCALE
ECD	JEM	10/6/25	N.T.S.
JOB NO.	209332	PH	BLDG. DESC.
SHEET NO.	E21 of 22	ISSUE	A

**GENERAL NOTES:**  
TRIM IS FIGURED WITH 2" TRIM LAP UNLESS NOTED ON A DETAIL.  
FIELD CUT PANELS AT FRAMED OPENINGS, WALKDOORS, AND WINDOWS.  
FORMED BASE TRIM (IF USED) TO BE FIELD MITERED AT CORNERS.  
BEVELCUT ENDWALL PANELS AS REQUIRED.  
FIELD SLOT GIRTS AS REQUIRED FOR CABLE BRACE CLEARANCE.

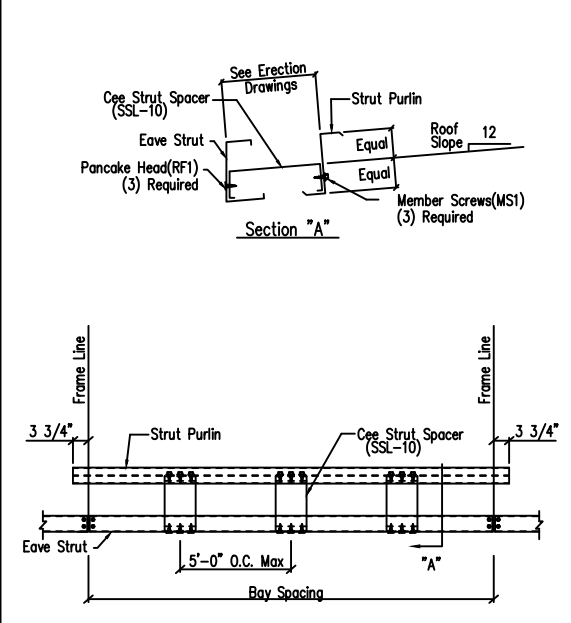




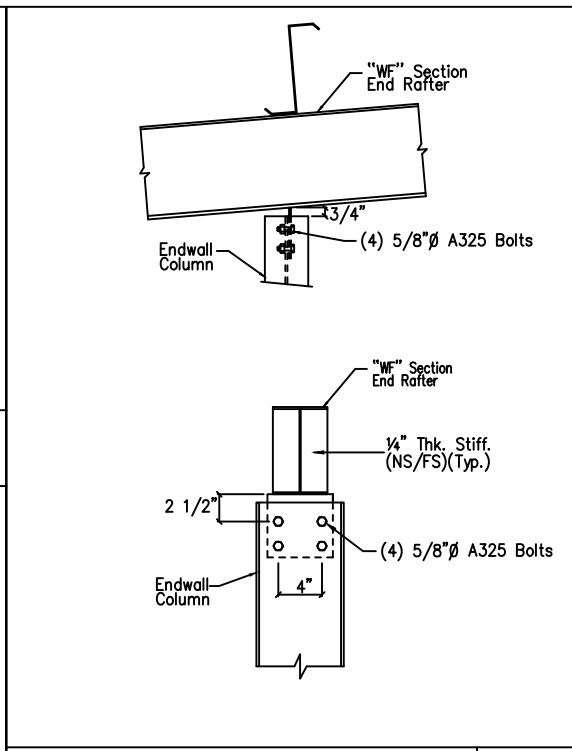
Section Thru Rake w/Hot Rolled Rafter  
DRAWING NO. SD5



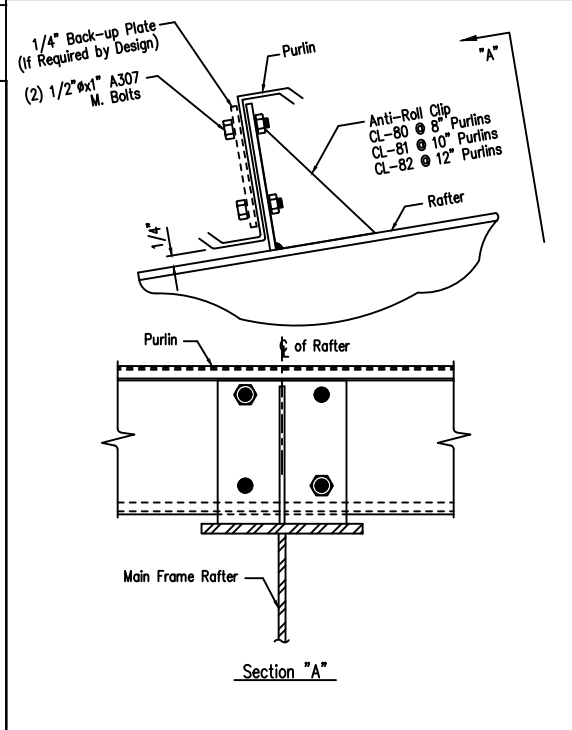
Eave Strut to Hot Rolled Rafter Connection  
DRAWING NO. SD14



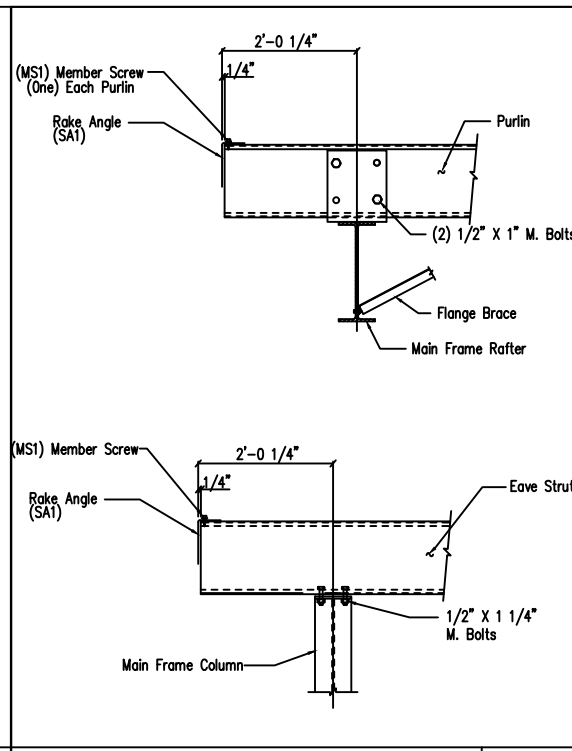
Strut Purlin and Spacer Detail  
Low Eave  
DRAWING NO. SD107



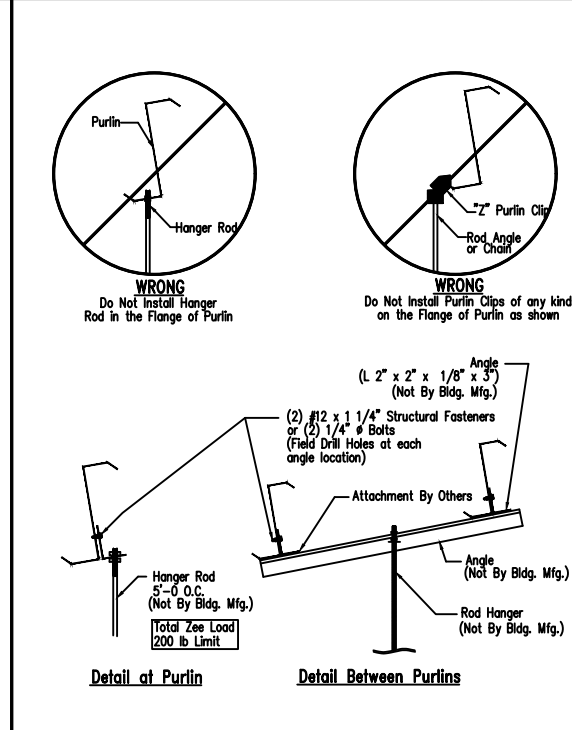
Hot Rolled Column to Hot Rolled Rafter  
DRAWING NO. SD7X



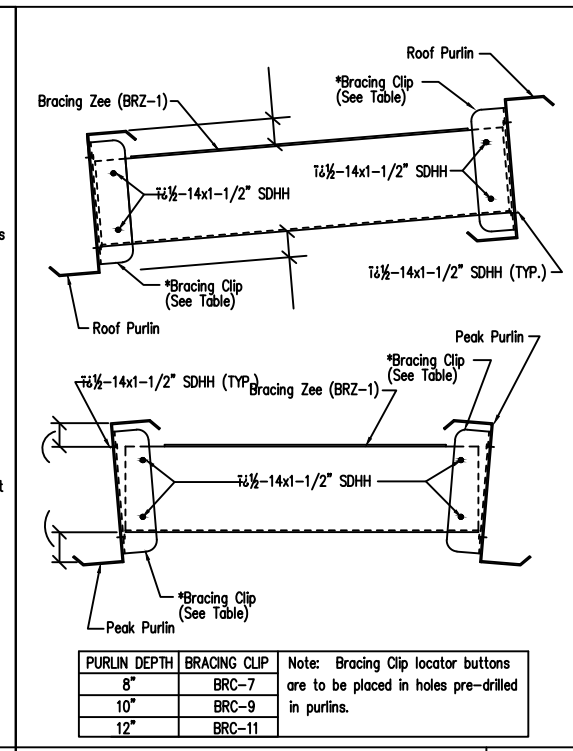
Purlin to Anti-Roll Clip Connection  
DRAWING NO. SD115



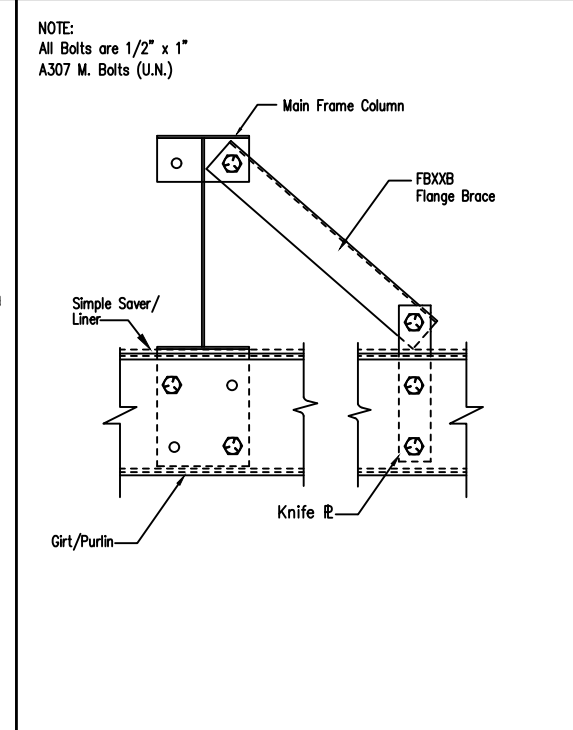
Main Frame Rafter Connection  
PURLIN & EAVE STRUT CONNECTION  
DRAWING NO. SD10



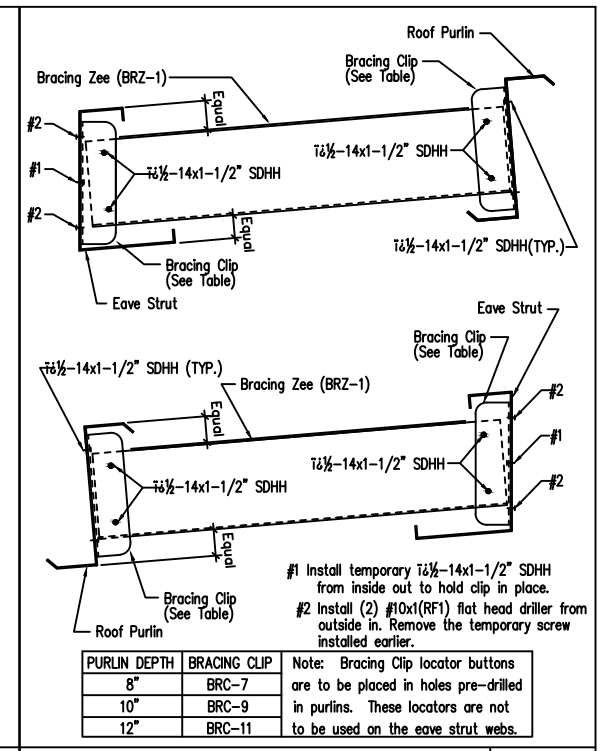
Collateral Material Hanger Detail  
DRAWING NO. SD160



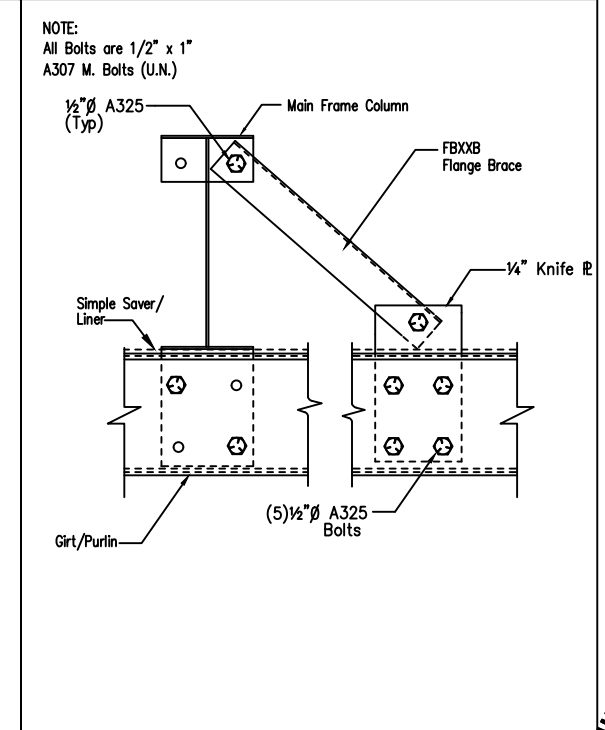
Intermediate Purlin Bridging  
DRAWING NO. SD105



FLANGE BRACE AT FRAMED OPENING  
At Liner Panel  
DRAWING NO. SD163A



Eave Bridging  
DRAWING NO. SD106



FLANGE BRACE AT FRAMED OPENING  
At Liner Panel  
DRAWING NO. SD163B

GENERAL NOTES:  
SEE ELEVATIONS FOR TRIM MARKS, LENGTHS, LOCATION, AND QUANTITY.  
ALL TAPE SEALANT IS CONTINUOUS UNLESS NOTED.  
WALL PANELS, POP RIVETS, AND EAVE TRIM TO BE INSTALLED BEFORE ROOF INSULATION.  
FOR CLARITY OF DETAIL, ROOF INSULATION IS NOT SHOWN.  
1" WIDE x 3/32" TAPE SEAL (OPTIONAL) MUST BE SPECIFIED ON THE WORK ORDER.  
\* TRIM PROFILE MAY VARY.

**DRAWING STATUS**

FOR APPROVAL: THESE DRAWINGS, BEING FOR APPROVAL, ARE BY DEFINITION NOT FINAL AND ARE FOR CONCEPTUAL REPRESENTATION ONLY. THEIR PURPOSE IS TO CONFIRM PROPER INTERPRETATION OF THE PROJECT DOCUMENTS. ONLY DRAWINGS ISSUED "FOR CONSTRUCTION" CAN BE CONSIDERED AS COMPLETE.

FOR PERMIT: THESE DRAWINGS, BEING FOR PERMIT, ARE BY DEFINITION NOT FINAL IN THAT, AS A MINIMUM, PIECE MARKINGS ARE NOT IDENTIFIED. ONLY DRAWINGS ISSUED "FOR CONSTRUCTION" CAN BE CONSIDERED AS COMPLETE.

FOR CONSTRUCTION: FINAL DRAWINGS.

**REVISIONS**

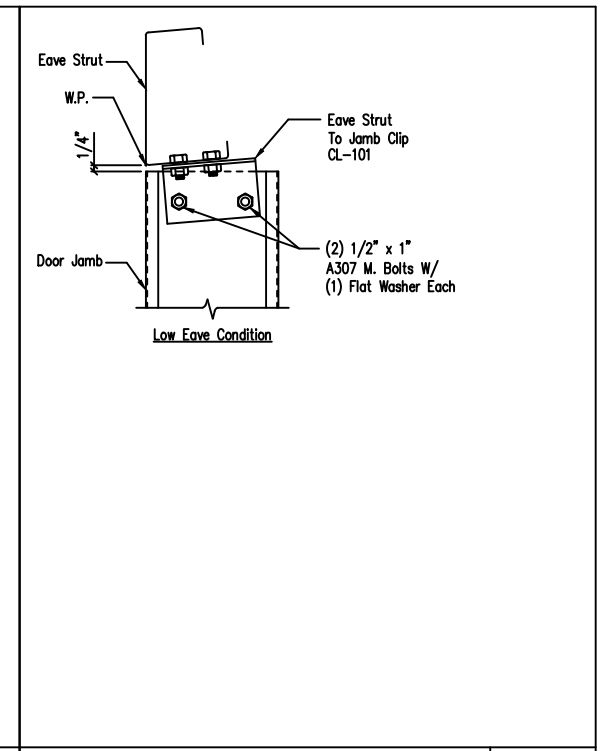
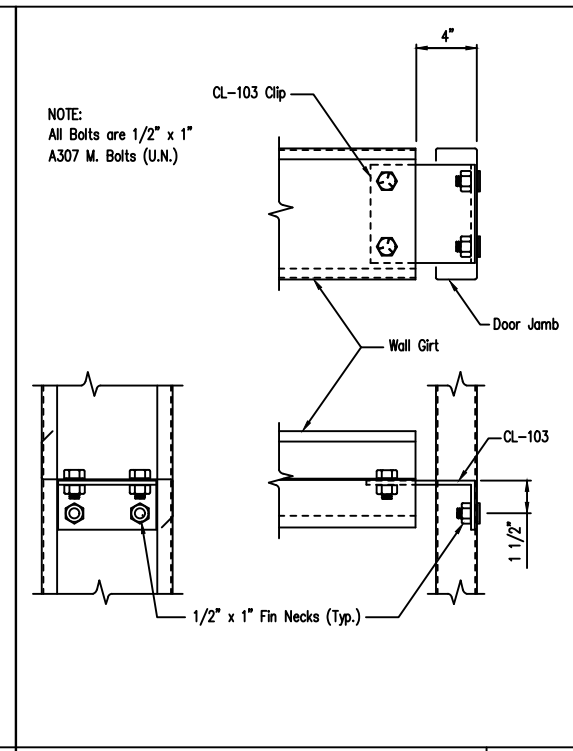
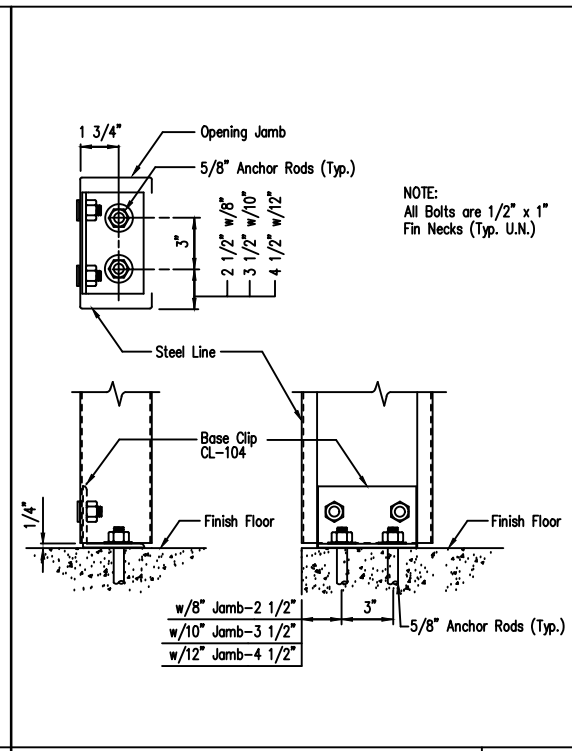
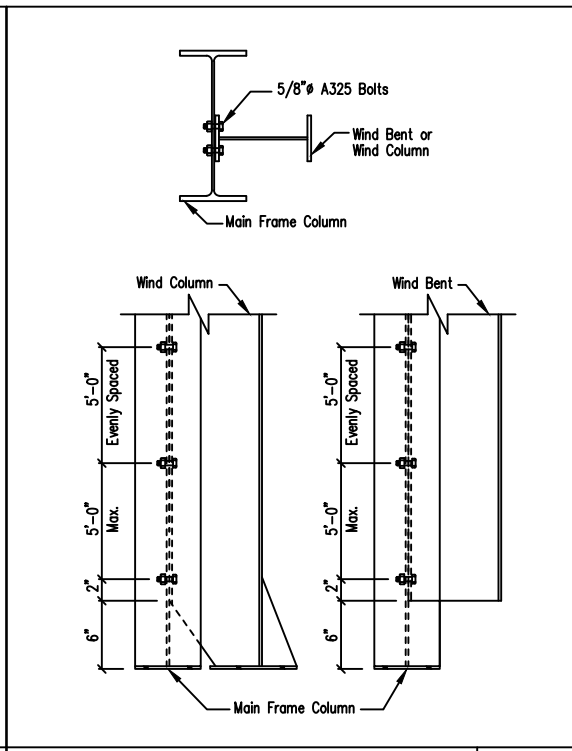
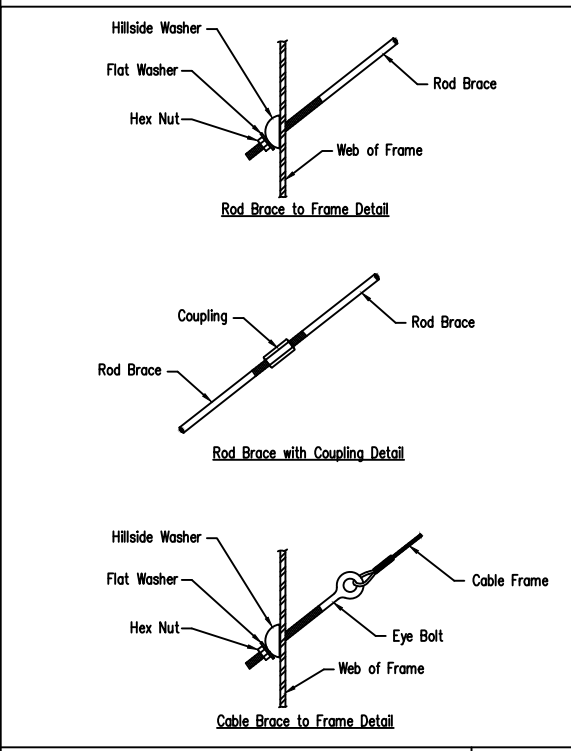
NO.	DATE	DESCRIPTION	BY	CK'D
A	10/14/25	FOR PERMIT	ECD	RICH

**SCHULTE BUILDING SYSTEMS**  
17600 Badtke Road - Hockley, Texas 77447  
PHONE: 281.304.6111 877.257.2534  
FAX: 281.304.6113  
www.SchulteBuildingSystems.com

**JEFFERY BRENT HICKS**  
E-71621  
REGISTERED PROFESSIONAL ENGINEER

DESCRIPTION: DETAIL PAGES  
JOB NO. 209332  
DATE 10/6/25  
SCALE N.T.S.





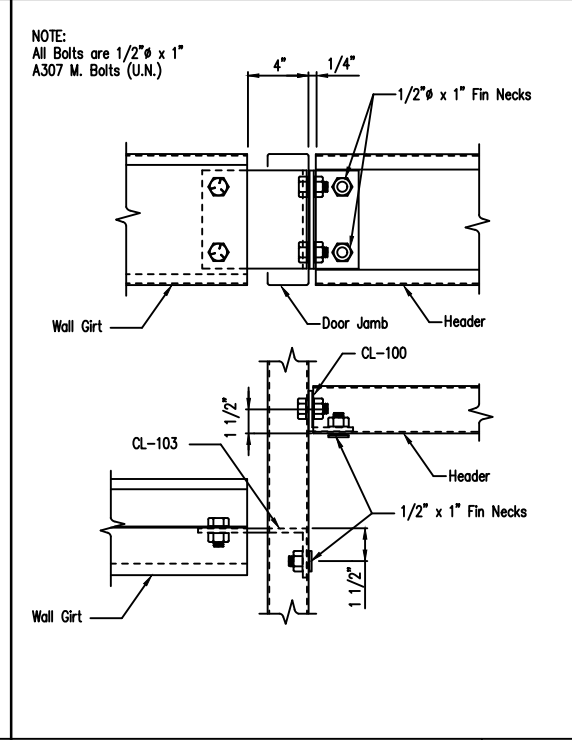
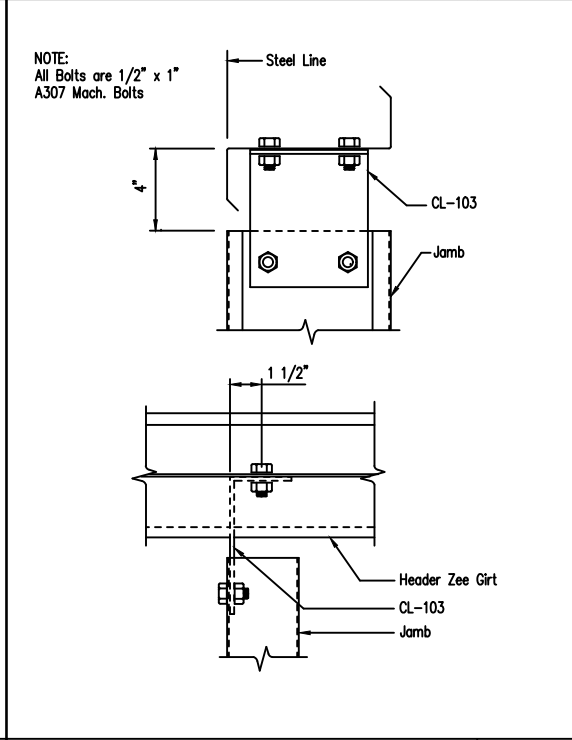
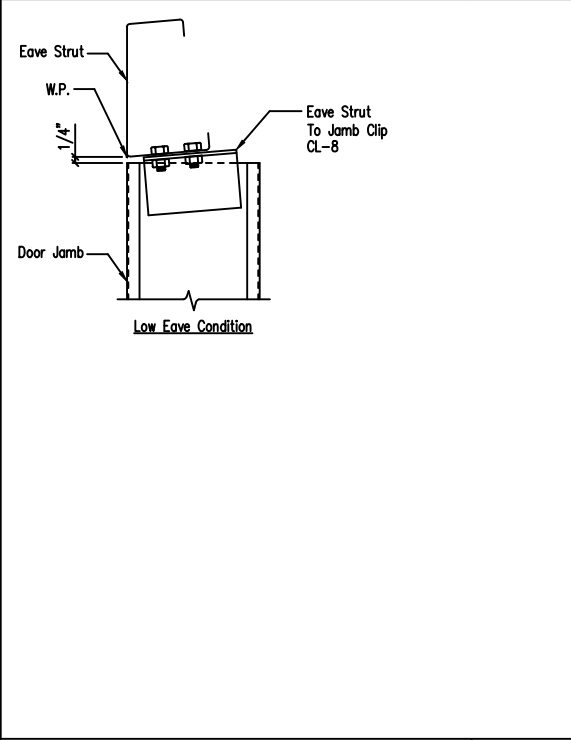
Cable or Rod Brace to Frame Connection  
DRAWING NO. SD66

Wind Column/Bent Frame Detail  
DRAWING NO. SD70

Jamb to Floor  
DRAWING NO. SD85

Girt to Jamb (Bolted Clips)  
DRAWING NO. SD87

Jamb To Eave Strut w/ 8" Jamb 1:12 Roof Pitch and Lower  
DRAWING NO. SD89



**Roof Fasteners:** #14 x 7/8" Self Drilling Screw Laptek - Stitch Screw  
Long Life Fasteners #12 x 1 1/4" Self Drilling Screw - Member Screw

**Wall Fasteners:** #14 x 7/8" Self Drilling Screw Laptek - Stitch Screw  
Long Life Fasteners #12 x 1 1/4" Self Drilling Screw - Member Screw

**Trim Fasteners:** #14 x 7/8" Self Drilling Screw Laptek - Stitch Screw  
Long Life Fasteners #12 x 1 1/4" Self Drilling Screw - Member Screw

**Liner Fasteners:** #14 x 7/8" Self Drilling Screw Laptek - Stitch Screw  
Long Life Fasteners #12 x 1 1/4" Self Drilling Screw - Member Screw

**Partition Fasteners:** #14 x 7/8" Self Drilling Screw Laptek - Stitch Screw  
Long Life Fasteners #12 x 1 1/4" Self Drilling Screw - Member Screw

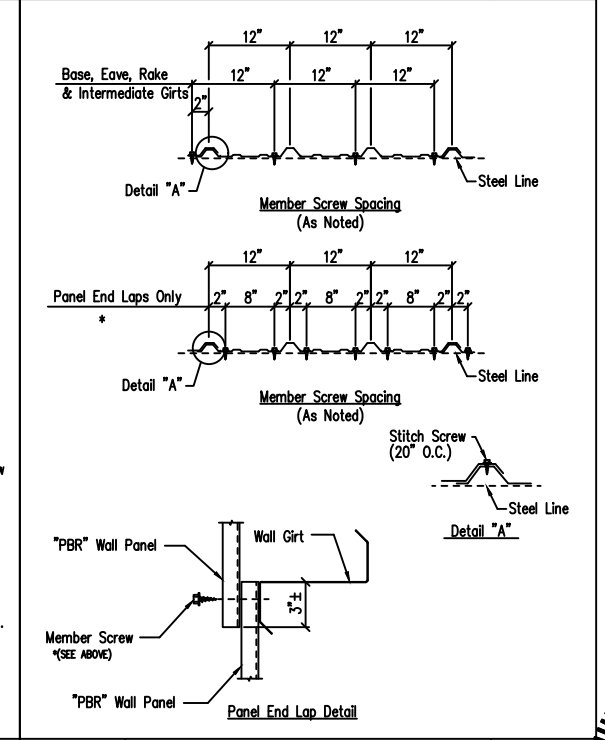
**Soffit Fasteners:** #14 x 7/8" Self Drilling Screw Laptek - Stitch Screw  
Long Life Fasteners #12 x 1 1/4" Self Drilling Screw - Member Screw

**Steel to Steel Fasteners:** #12 x 1" Self Drilling Screw W/O Washer - Member Screw (MS1)

**RFI:** #10-16 x 1" Self Drilling Screw W/O Washer

**NOTE:** Refer to Details and Sections for specific screw types, locations, and spacing.

▲Tape Sealant 1" x 3/32" x 45'-0" (RS45-1)



Jamb to Eave Strut  
DRAWING NO. SD90

Jamb to Header Girt  
DRAWING NO. SD94

Girt/Header to Jamb (Bolted Clips)  
DRAWING NO. SD95

Screw Size Note  
DRAWING NO. TD000

Fastener Location "PBR" Panel at Wall  
DRAWING NO. TD1

**GENERAL NOTES:**  
SEE ELEVATIONS FOR TRIM MARKS, LENGTHS, LOCATION, AND QUANTITY.  
ALL TAPE SEALANT IS CONTINUOUS UNLESS NOTED.  
WALL PANELS, POP RIVETS, AND EAVE TRIM TO BE INSTALLED BEFORE ROOF INSULATION.  
FOR CLARITY OF DETAIL, ROOF INSULATION IS NOT SHOWN.  
▲ 1" WIDE x 3/32" TAPE SEAL (OPTIONAL) MUST BE SPECIFIED ON THE WORK ORDER.  
\* TRIM PROFILE MAY VARY.

DRAWING STATUS	
<input type="checkbox"/> FOR APPROVAL:	THESE DRAWINGS, BEING FOR APPROVAL, ARE BY DEFINITION NOT FINAL AND ARE FOR CONCEPTUAL REPRESENTATION ONLY. THEIR PURPOSE IS TO CONFIRM PROPER INTERPRETATION OF THE PROJECT DOCUMENTS. ONLY DRAWINGS ISSUED "FOR CONSTRUCTION" CAN BE CONSIDERED AS COMPLETE.
<input checked="" type="checkbox"/> FOR PERMIT:	THESE DRAWINGS, BEING FOR PERMIT, ARE BY DEFINITION NOT FINAL IN THAT, AS A MINIMUM, PIECE MARKINGS ARE NOT IDENTIFIED. ONLY DRAWINGS ISSUED "FOR CONSTRUCTION" CAN BE CONSIDERED AS COMPLETE.
<input type="checkbox"/> FOR CONSTRUCTION:	FINAL DRAWINGS.

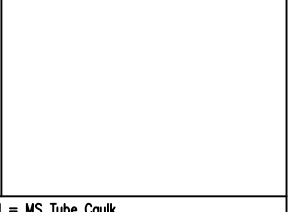
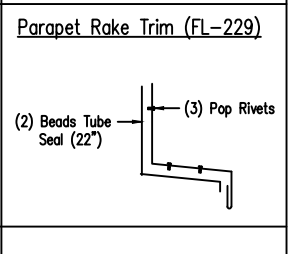
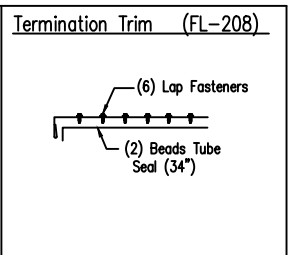
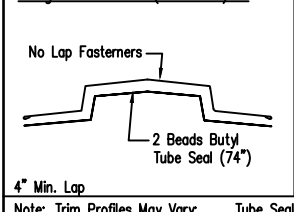
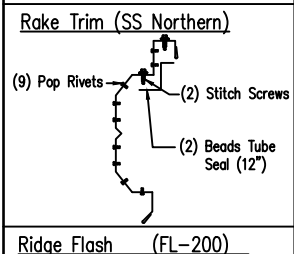
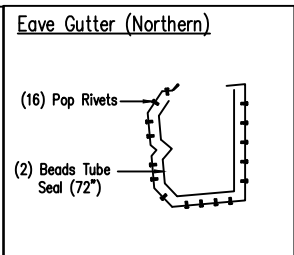
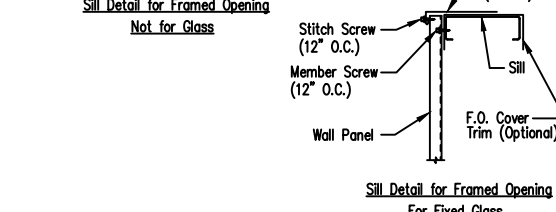
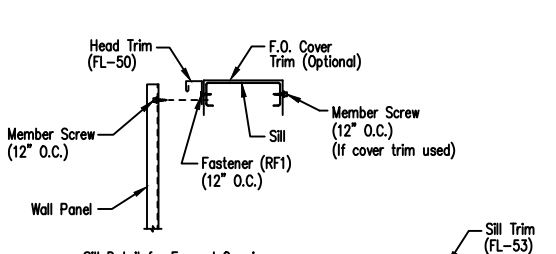
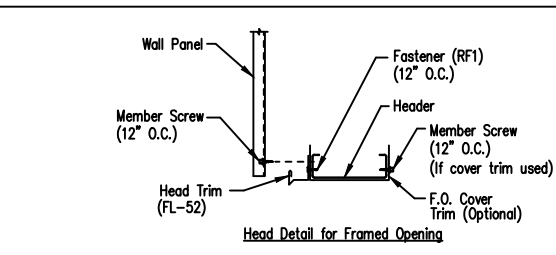
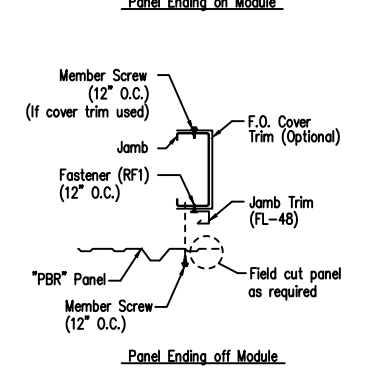
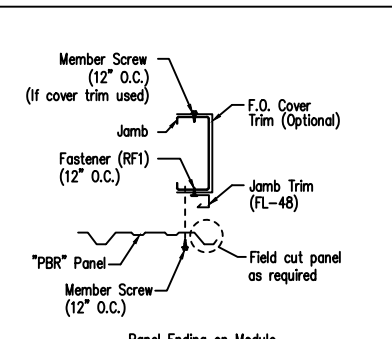
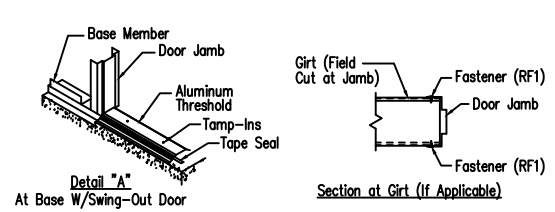
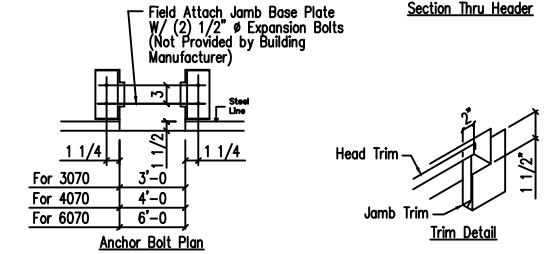
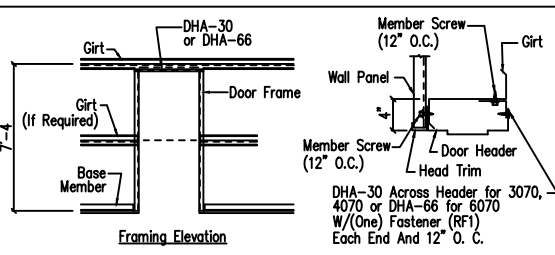
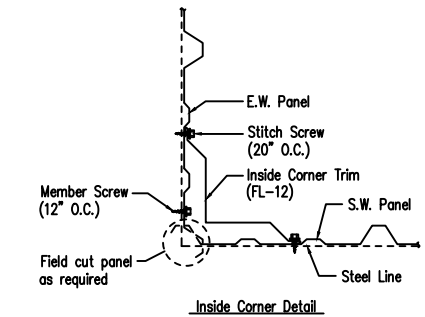
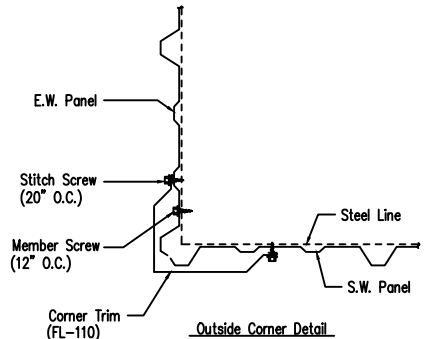
REVISIONS				
NO.	DATE	DESCRIPTION	BY	CK'D
A	10/14/25	FOR PERMIT	ECD	RICH

**SCHULTE BUILDING SYSTEMS**  
17600 Badtke Road - Hockley, Texas 77447  
PHONE: 281.304.6111 877.257.2534  
FAX: 281.304.6113  
www.SchulteBuildingSystems.com

**JEFFERY BRENT HICKS**  
E-71621  
REGISTERED PROFESSIONAL ENGINEER

DESCRIPTION	DETAIL PAGES	SIZE	REFER TO C1
TOWER OR PROJECT	WB Building	CUSTOMER	STEVENS CONSTRUCTION CO INC
JOB SITE LOCATION	621 BUCKEYE ST MARION, OH 43302-6121	ADDRESS	2181 INNOVATION DRIVE, SUITE 10 MARION, OH 43302
CAD BY	JEM	DATE	10/6/25
ENGRD BY	JEM	SCALE	N.T.S.
JOB NO.	209332	PH	BUDG. DESC.
SHEET NO.	D3 of 6	ISSUE	A

NOTE: Panel start may vary. See panel elevation drawings.



Note: Trim Profiles May Vary; Tube Seal = MS Tube Caulk  
2" Min. Lap Unless Noted

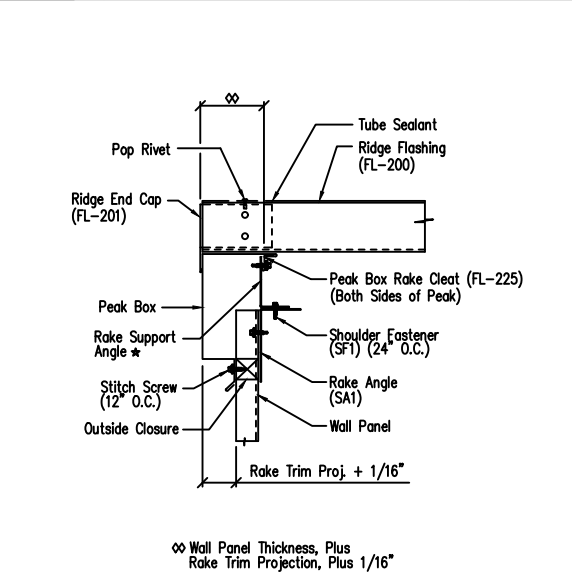
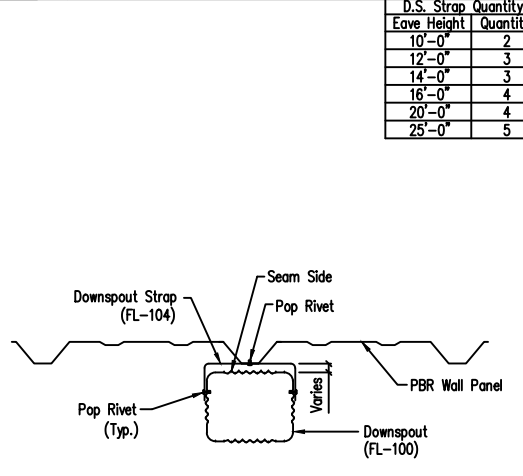
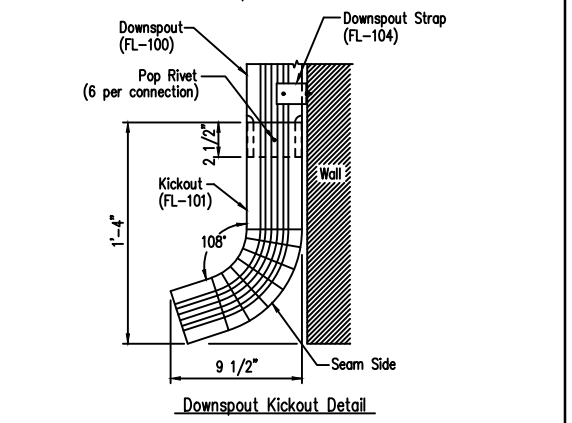
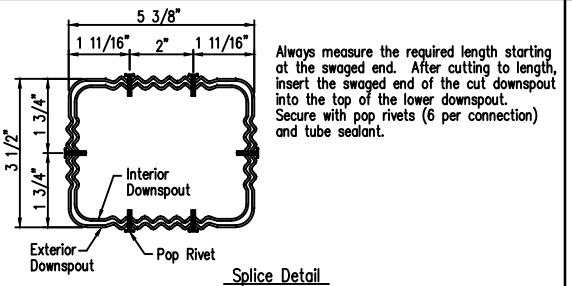
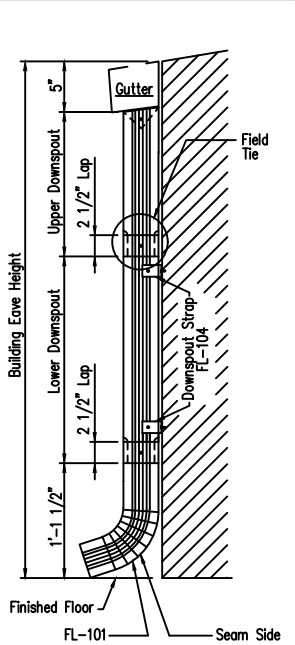
Section at Corner - PBR  
DRAWING NO. TD40

Personnel Doors (Walk Door Sections)  
DRAWING NO. TD50

Jamb Detail For Framed Opening PBR Wall Panel  
DRAWING NO. TD51

Framed Opening Head and Sill Details  
DRAWING NO. TD52

Trim Laps Shadow Profile (Northern)  
DRAWING NO. TD209



Eave Height	D.S. Strap Quantity
10'-0"	2
12'-0"	3
14'-0"	3
16'-0"	4
20'-0"	4
25'-0"	5

* MEMBER TABLE		
Standoff	TS-324 Rake Part	VS-216 Rake Part
1/2"	RSA338	RSA238
1 1/2"	RSA438	RSA338
3"	RSA600	

Downspout Elevation  
3 1/2" x 5 3/8" Roll-Form  
DRAWING NO. TD90

Downspout Kickout and Splice Detail  
3 1/2" x 5 3/8" Roll-Form  
DRAWING NO. TD96

Downspout Strap Attachment Detail PBR  
3 1/2" x 5 3/8" Roll-Form  
DRAWING NO. TD98

Expansion Ridge Cap TS-324/VS-216  
DRAWING NO. TD111

GENERAL NOTES:  
SEE ELEVATIONS FOR TRIM MARKS, LENGTHS, LOCATION, AND QUANTITY.  
ALL TAPE SEALANT IS CONTINUOUS UNLESS NOTED.  
WALL PANELS, POP RIVETS, AND EAVE TRIM TO BE INSTALLED BEFORE ROOF INSULATION.  
FOR CLARITY OF DETAIL, ROOF INSULATION IS NOT SHOWN.  
1" WIDE x 3/32" TAPE SEAL (OPTIONAL) MUST BE SPECIFIED ON THE WORK ORDER.  
\* TRIM PROFILE MAY VARY.

DRAWING STATUS	
<input type="checkbox"/>	FOR APPROVAL: THESE DRAWINGS, BEING FOR APPROVAL, ARE BY DEFINITION NOT FINAL AND ARE FOR CONCEPTUAL REPRESENTATION ONLY. THEIR PURPOSE IS TO CONFIRM PROPER INTERPRETATION OF THE PROJECT DOCUMENTS. ONLY DRAWINGS ISSUED "FOR CONSTRUCTION" CAN BE CONSIDERED AS COMPLETE.
<input checked="" type="checkbox"/>	FOR PERMIT: THESE DRAWINGS, BEING FOR PERMIT, ARE BY DEFINITION NOT FINAL IN THAT, AS A MINIMUM, PIECE MARKINGS ARE NOT IDENTIFIED. ONLY DRAWINGS ISSUED "FOR CONSTRUCTION" CAN BE CONSIDERED AS COMPLETE.
<input type="checkbox"/>	FOR CONSTRUCTION: FINAL DRAWINGS.

REVISIONS				
NO.	DATE	DESCRIPTION	BY	CHK'D
A	10/14/25	FOR PERMIT	ECD	RICH

**SCHULTE BUILDING SYSTEMS**  
17600 Badtke Road - Hockley, Texas 77447  
PHONE: 281.304.6111 877.257.2534  
FAX: 281.304.6113  
www.SchulteBuildingSystems.com

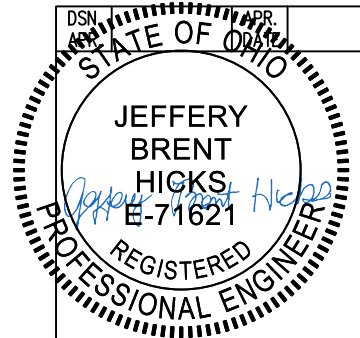
DESCRIPTION: DETAIL PAGES  
SIZE: REFER TO C1

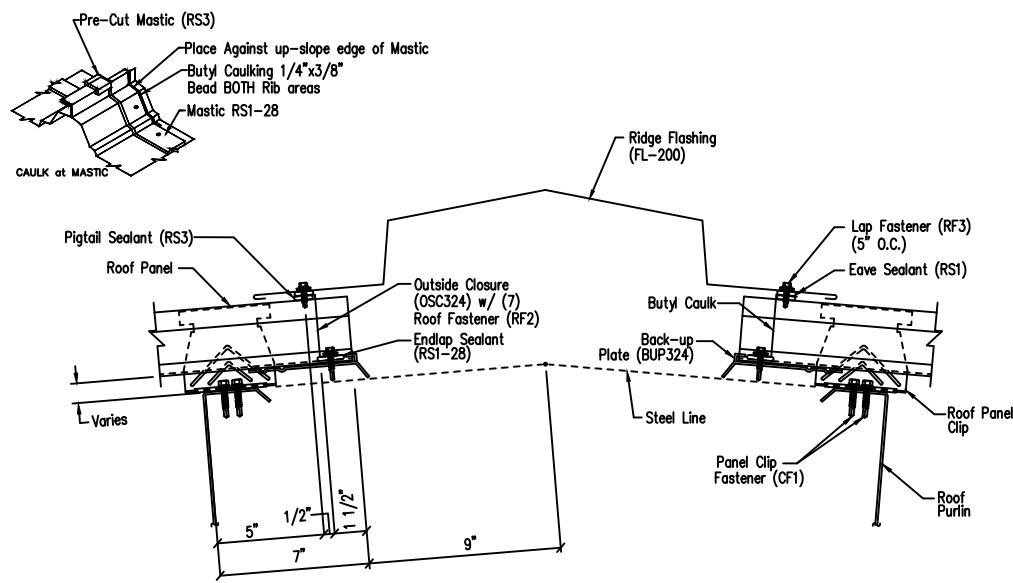
TOWER OR PROJECT: WB Building  
CUSTOMER: STEVENS CONSTRUCTION CO INC

JOB SITE ADDRESS: 621 BUCKEYE ST  
ADDRESS: 2181 INNOVATION DRIVE, SUITE 10

LOCATION: MARION, OH 43302-6121  
LOCATION: MARION, OH 43302

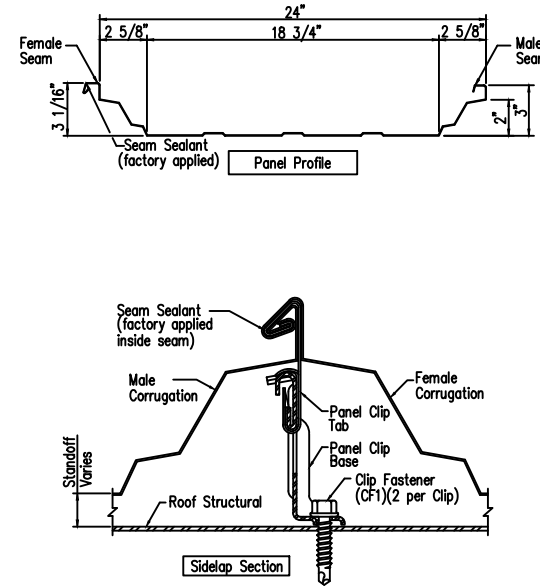
CAD BY: ECD  
ENGRD BY: JEM  
DATE: 10/6/25  
SCALE: N.T.S.  
JOB NO.: 209332  
PH: (blank)  
BLDG. DESC.: (blank)  
SHEET NO.: D4 of 6  
ISSUE: (blank)





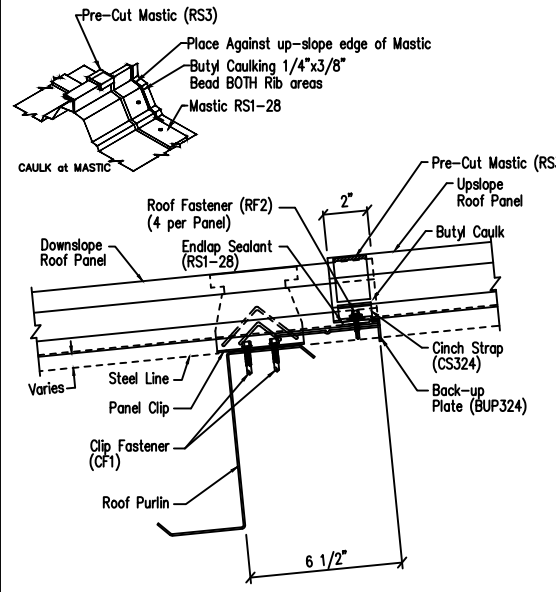
Ridge Detail - TS-324

DRAWING NO. TD117



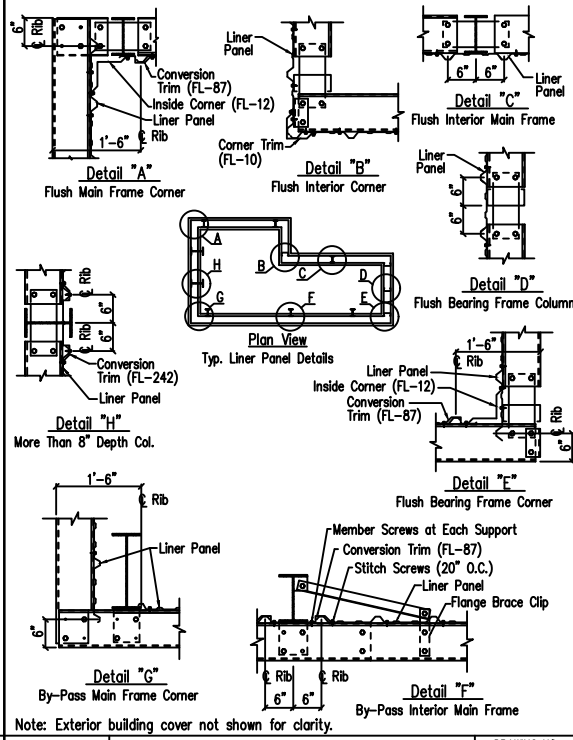
Roof Panel Sections - TS-324 QuadLok™ Seam

DRAWING NO. TD149



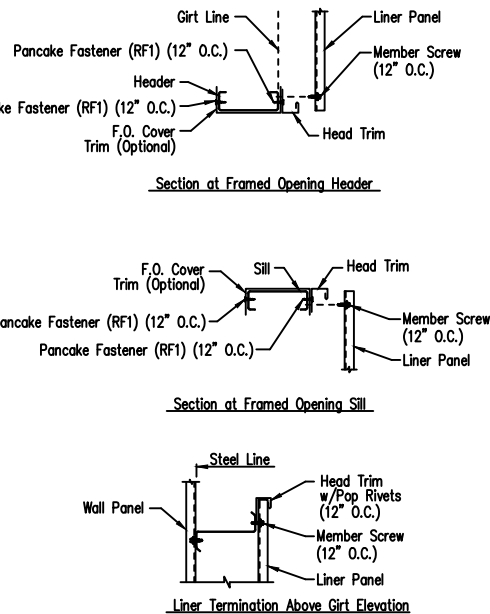
Panel Endlap Detail - TS-324

DRAWING NO. TD135



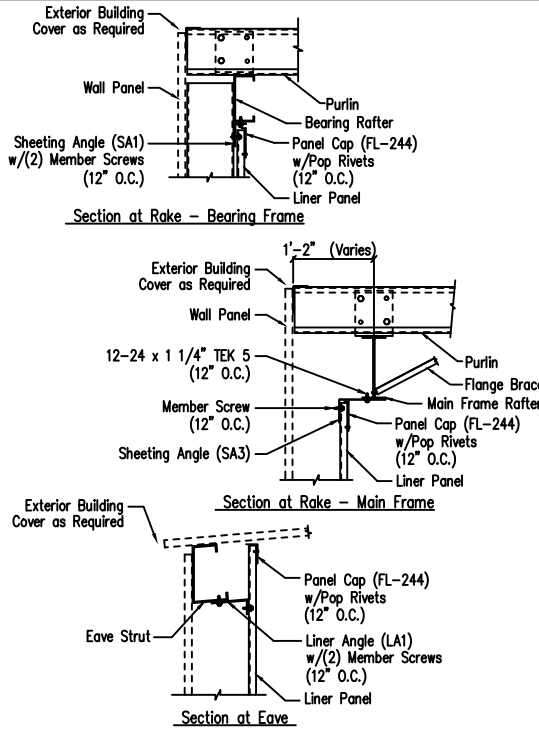
Liner Panel - PBR

DRAWING NO. TD215



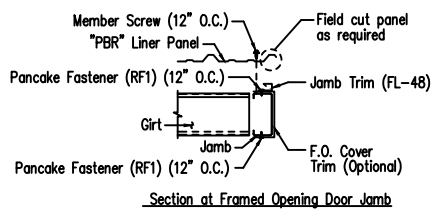
Wall Liner Details Head and Sill Opening Details

DRAWING NO. TD216



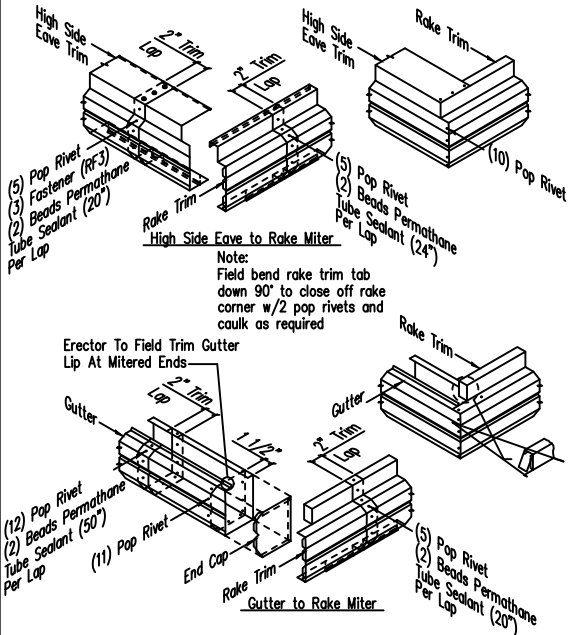
Wall Liner Details

DRAWING NO. TD217



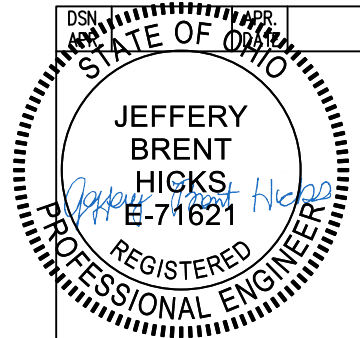
Wall Liner Details - PBR Jamb Opening Details

DRAWING NO. TD219



Northern Shadow Trim Detail TS-324/VS-216

DRAWING NO. TD292



GENERAL NOTES:  
SEE ELEVATIONS FOR TRIM MARKS, LENGTHS, LOCATION, AND QUANTITY.  
ALL TAPE SEALANT IS CONTINUOUS UNLESS NOTED.  
WALL PANELS, POP RIVETS, AND EAVE TRIM TO BE INSTALLED BEFORE ROOF INSULATION.  
FOR CLARITY OF DETAIL, ROOF INSULATION IS NOT SHOWN.  
1\"/>

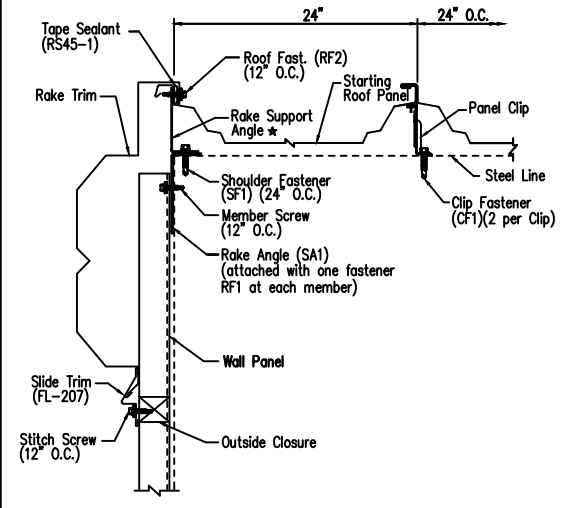
DRAWING STATUS	
<input type="checkbox"/>	FOR APPROVAL: THESE DRAWINGS, BEING FOR APPROVAL, ARE BY DEFINITION NOT FINAL AND ARE FOR CONCEPTUAL REPRESENTATION ONLY. THEIR PURPOSE IS TO CONFIRM PROPER INTERPRETATION OF THE PROJECT DOCUMENTS. ONLY DRAWINGS ISSUED "FOR CONSTRUCTION" CAN BE CONSIDERED AS COMPLETE.
<input checked="" type="checkbox"/>	FOR PERMIT: THESE DRAWINGS, BEING FOR PERMIT, ARE BY DEFINITION NOT FINAL IN THAT, AS A MINIMUM, PIECE MARKINGS ARE NOT IDENTIFIED. ONLY DRAWINGS ISSUED "FOR CONSTRUCTION" CAN BE CONSIDERED AS COMPLETE.
<input type="checkbox"/>	FOR CONSTRUCTION: FINAL DRAWINGS.

REVISIONS				
NO.	DATE	DESCRIPTION	BY	CHK'D
A	10/14/25	FOR PERMIT	ECD	RICH

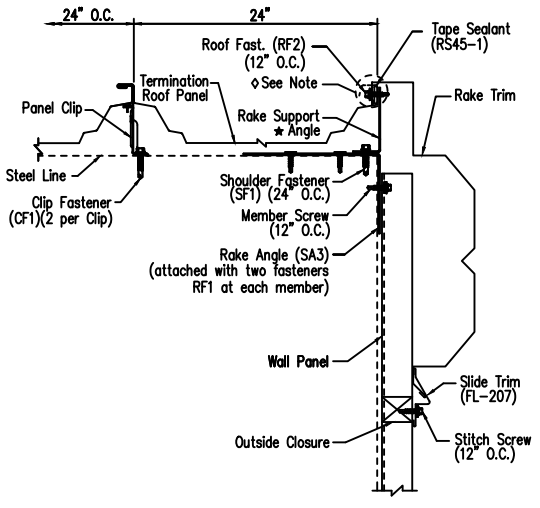
**SCHULTE BUILDING SYSTEMS**  
17600 Badtke Road - Hockley, Texas 77447  
PHONE: 281.304.6111 877.257.2534  
FAX: 281.304.6113  
www.SchulteBuildingSystems.com

DESCRIPTION	DETAIL PAGES	SIZE	REFER TO C1
TOWER OR PROJECT	WB Building	CUSTOMER	STEVENS CONSTRUCTION CO INC
JOB SITE LOCATION	621 BUCKEYE ST MARION, OH 43302-6121	ADDRESS	2181 INNOVATION DRIVE, SUITE 10 MARION, OH 43302
CAD BY	JEM	DATE	10/6/25
ENGR'D BY	JEM	SCALE	N.T.S.
JOB NO.	209332	PH	BUDG. DESC.
SHEET NO.	D5 of 6	ISSUE	A

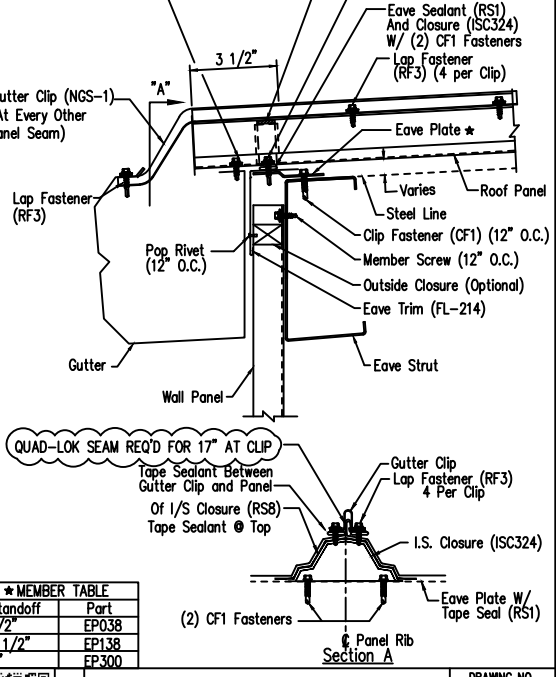
NOTE: Field cut/crimp top leg of panel prior to installing rake trim.



* MEMBER TABLE	
Standoff	Part
1/2"	RSA338
1 1/2"	RSA438
3"	RSA600



* MEMBER TABLE	
Standoff	Part
1/2"	RSA338
1 1/2"	RSA438
3"	RSA600



* MEMBER TABLE	
Standoff	Part
1/2"	EP038
1 1/2"	FP138
3"	FP300

**Starting Rake Detail - TS-324**  
Northern/Oversize Shadow Rake - Sheeted Wall (On Module)  
DRAWING NO. TD625  
Created On: 3/22/21, Revised On: 10/26/21

**Finish Rake Detail - TS-324**  
Northern/Oversize Shadow Rake - Sheeted Wall (On Module)  
DRAWING NO. TD626  
Created On: 3/22/21, Revised On: 10/26/21

**Low Eave Detail - TS-324**  
Northern Shadow Gutter - Sheeted Wall Up to a 3:12 Roof Slope  
DRAWING NO. TD632  
Created On: 01/22/21, Revised On: 08/28/21

**GENERAL NOTES:**  
SEE ELEVATIONS FOR TRIM MARKS, LENGTHS, LOCATION, AND QUANTITY.  
ALL TAPE SEALANT IS CONTINUOUS UNLESS NOTED.  
WALL PANELS, POP RIVETS, AND EAVE TRIM TO BE INSTALLED BEFORE ROOF INSULATION.  
FOR CLARITY OF DETAIL, ROOF INSULATION IS NOT SHOWN.  
1" WIDE x 3/32" TAPE SEAL (OPTIONAL) MUST BE SPECIFIED ON THE WORK ORDER.  
\* TRIM PROFILE MAY VARY.

DRAWING STATUS	
<input type="checkbox"/>	FOR APPROVAL: THESE DRAWINGS, BEING FOR APPROVAL, ARE BY DEFINITION NOT FINAL AND ARE FOR CONCEPTUAL REPRESENTATION ONLY. THEIR PURPOSE IS TO CONFIRM PROPER INTERPRETATION OF THE PROJECT DOCUMENTS. ONLY DRAWINGS ISSUED "FOR CONSTRUCTION" CAN BE CONSIDERED AS COMPLETE.
<input checked="" type="checkbox"/>	FOR PERMIT: THESE DRAWINGS, BEING FOR PERMIT, ARE BY DEFINITION NOT FINAL IN THAT, AS A MINIMUM, PIECE MARKINGS ARE NOT IDENTIFIED. ONLY DRAWINGS ISSUED "FOR CONSTRUCTION" CAN BE CONSIDERED AS COMPLETE.
<input type="checkbox"/>	FOR CONSTRUCTION: FINAL DRAWINGS.

REVISIONS				
NO.	DATE	DESCRIPTION	BY	CHK'D
A	10/10/25	FOR PERMIT	ECD	XXX

**SCHULTE BUILDING SYSTEMS**  
17600 Badtke Road - Hockley, Texas 77447  
PHONE: 281.304.6111 877.257.2534  
FAX: 281.304.6113  
www.SchulteBuildingSystems.com

DESCRIPTION	DETAIL PAGES	SIZE	REFER TO C1
TOWER OR PROJECT	WB Building	CUSTOMER	STEVENS CONSTRUCTION CO INC
JOB SITE	621 BUCKEYE ST	ADDRESS	2181 INNOVATION DRIVE, SUITE 10
LOCATION	MARION, OH 43302-6121	MARION, OH	43302
CAD BY	ENGRD BY	DATE	SCALE
ECD	JEM	10/6/25	N.T.S.
JOB NO.	209332	PH	BUDG. DESC.
SHEET NO.	D6 of 6	ISSUE	A

